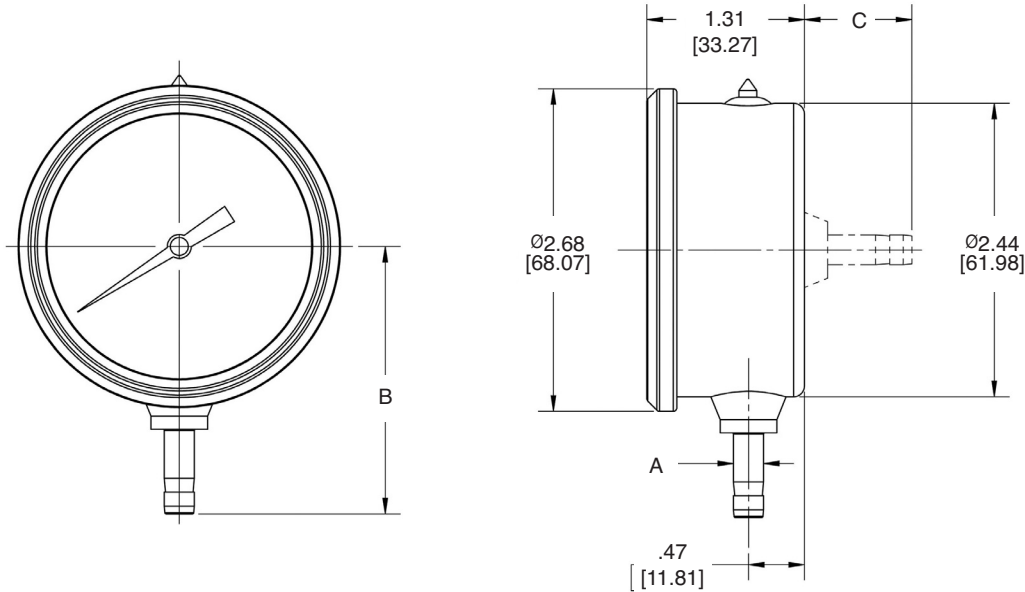


D87 Series

Tube Stub Connection • Liquid Filled or Dry • Stainless Steel Case

INDUSTRIAL GAUGES

All dimensions are nominal. Dimensions in [] are in millimeters.



TUBE STUB SIZE	A	B	C
1/4"	.250" [6.35]	2.22" [56.39]	.92" [23.37]
3/8"	.375" [9.53]	2.33" [59.18]	1.08" [27.43]

Standard Ranges

Note: "NEW" Range Codes

psi Ranges (A)				
NEW Range Code	OLD Range Code	Specific Range	Figure Intervals	Minor Divisions
30/0	010	30" Hg to 0	5	0.5
30/15	020	30" Hg to 15 psi	10/5	1/0.5
30/30	030	30" Hg to 30 psi	10/5	1/1
30/60	040	30" Hg to 60 psi	10/10	2/1
30/100	050	30" Hg to 100 psi	30/20	2/2
30/150	060	30" Hg to 150 psi	30/30	5/2
30/300	070	30" Hg to 300 psi	30/50	5/5
30/400	075	30" Hg to 400 psi	30/50	10/5
15	080	0 to 15 psi	3	0.2
30	090	0 to 30 psi	5	0.5
60	100	0 to 60 psi	10	1
100	110	0 to 100 psi	10	1

psi Ranges (A)				
NEW Range Code	OLD Range Code	Specific Range	Figure Intervals	Minor Divisions
160	120	0 to 160 psi	20	2
200	130	0 to 200 psi	20	2
300	140	0 to 300 psi	50	5
400	150	0 to 400 psi	50	5
600	160	0 to 600 psi	100	10
1000	180	0 to 1000 psi	100	20
1500	190	0 to 1500 psi	300	20
2000	200	0 to 2000 psi	200	20
3000	210	0 to 3000 psi	500	50
5000	220	0 to 5000 psi	1000	100
6000	222	0 to 6000 psi	1000	100

For dual scale ranges specify the appropriate **Units of Measure: D** (psi/kPa) followed by the corresponding **A** (psi) Range Code