

700Plus Series

Industrial Transmitter Gauge

SPECIALTY GAUGES



703SS shown

- ▶ 4" Dial Size
- ▶ ±1.0% Accuracy
- ▶ Stainless Steel Case
- ▶ Liquid Fillable

The Trerice **700Plus Series** Transmitter Gauge is designed to provide both local and remote pressure readings through the integration of an independent pressure transmitter to the pressure gauge. This gauge has a stainless steel case and ring, and is field liquid fillable (no kit required). Wetted parts include a stainless steel tube and socket with a ceramic transmitter.

- **Optional features and case style variations available: Please consult the Options & Accessories Section for details.**
- **For correct use and application of all pressure gauges, please refer to: Pressure Gauge Standard ASME B40.100.**



Specifications

Models

703SS (dry)
703LFSS (liquid filled)

Dial Size 4"

Wetted Parts

Transmitter: stainless steel
Gauge: 316L stainless steel tube & socket

Fill Mineral Oil

Movement Stainless Steel

Process Connection

Lower male,
1/4 or 1/2 NPT

Case 304 Stainless steel,
stem mounted flangeless

Ring Bayonet type, 304 stainless steel

Window Clear glass

Pointer Micro adjustable knife edge,
black finished

Dial Face Aluminum, white background with
black graduations and markings

Electrical Connection

Wiring cable

Supply Voltage

12 to 36 VDC

Output Signal

4 to 20 mA
(load resistance maximum **W**) =
V supply - 12
0.02

Accuracy Transmitter: ±0.5% Full Scale Max.

Gauge: ±1.0% Full Scale,
ASME B40.100 Grade 1A

Maximum Temperature

212°F (100°C)

Approximate Shipping Weight

1.52 lbs [0.69 kg]

HOW TO ORDER

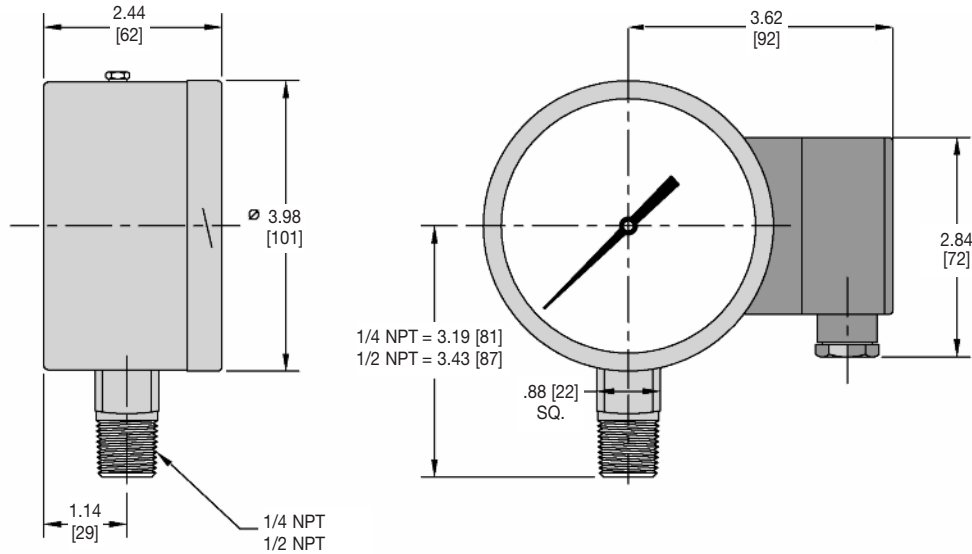
Sample Order Number: **703SS 40 02 L 3 A 110**

Model	Dial Size	Connection Size	Connection Location	Output Signal	Units of Measure	Range Code
703SS 703LFSS	40 4"	02 1/4 NPT 04 1/2 NPT	L Lower	3 4 to 20 mA	A psi D psi/kPa	See Standard Ranges

700Plus Series

Industrial Transmitter Gauge

All dimensions are nominal. Dimensions in [] are in millimeters.



SPECIALTY GAUGES

Standard Ranges

psi Ranges (A)			
Range Code	Specific Range	Figure Intervals	Minor Divisions
010	30" Hg to 0	5	0.5
020	30" Hg to 15 psi	10/5	0.5/0.5
030	30" Hg to 30 psi	10/5	1/1
040	30" Hg to 60 psi	10/10	2/1
050	30" Hg to 100 psi	30/20	2/2
060	30" Hg to 150 psi	30/20	5/2
070	30" Hg to 300 psi	30/50	5/5
080	0 to 15 psi	3	0.2

psi Ranges (A)			
Range Code	Specific Range	Figure Intervals	Minor Divisions
090	0 to 30 psi	5	0.5
100	0 to 60 psi	10	1
110	0 to 100 psi	10	2
120	0 to 160 psi	20	2
130	0 to 200 psi	20	2
140	0 to 300 psi	50	5
150	0 to 400 psi	50	5
160	0 to 600 psi	100	10

For dual scale ranges, specify the appropriate **Units of Measure: D (psi/kPa)** followed by the corresponding **A (psi) Range Code**. Other pressure ranges are also available including: Altitude, Ammonia, Refrigerant and Receiver. Consult Special Application Ranges section or factory for availability.