

Valve Body Selection

(for 940E Series Electric Motor Control Valve)

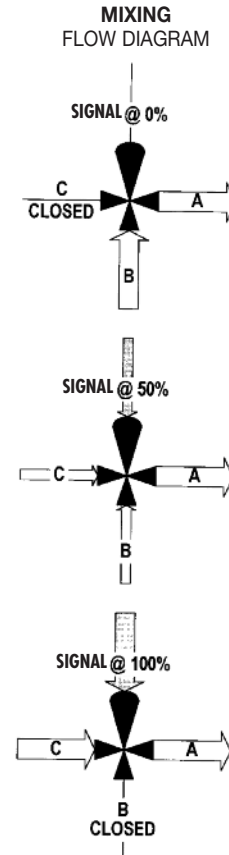
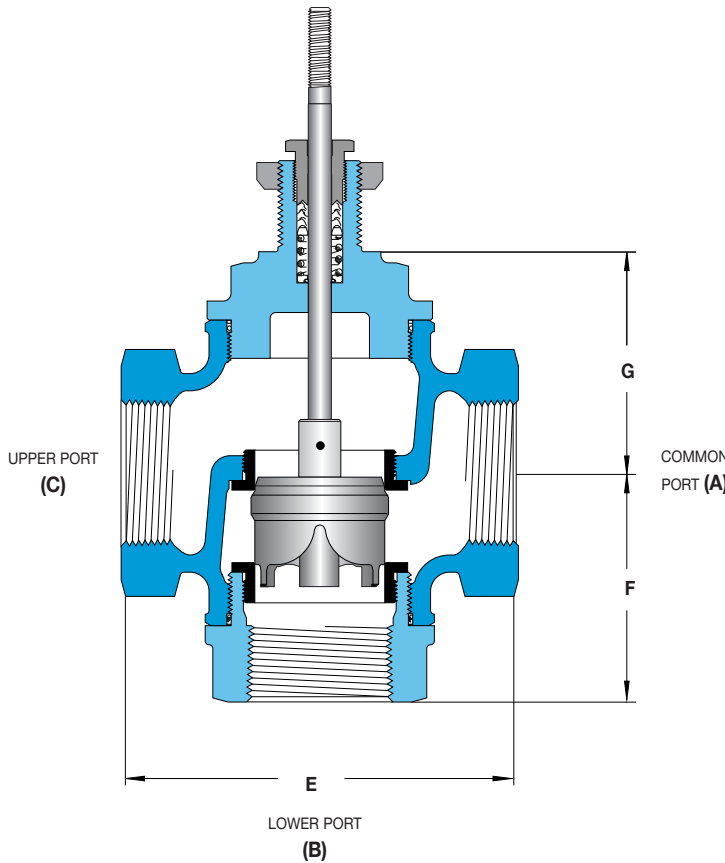
3-WAY • 1/2" - 2"

STAINLESS STEEL

All dimensions are nominal. Dimensions in [] are in millimeters.

CONTROL VALVES

Mixing



Tretrice 3-Way Valves are not designed for use in steam applications.

To properly control the mixing of two flows, inlet pressures at ports B and C should be as equal as possible.

Specifications

Action	Body Material	Trim Material	Trim Style	Connection	Pressure & Temperature Rating
Mixing	Stainless steel	Stainless steel	Linear	Threaded	515 PSI @ 400°F (204°C)

Valve Body Selection

Valve Body Number	Size		C _v	Maximum Close-Off Pressure (psid)				Dimensions			Approximate Shipping Weight
	Connection (NPT)	Nominal Port		Actuator Size 25		Actuator Size 26		E	F	G	
				Class III	Class IV	Class III	Class IV				
M18	1/2	1/2"	6.3	238	203	x	x	5.0 [127]	2.8 [71]	2.8 [71]	8 lbs [3.6 kg]
M25	3/4	3/4"	8.2	238	203	x	x	5.0 [127]	2.8 [71]	2.8 [71]	8 lbs [3.6 kg]
M34	1	1"	10	238	203	351	315	5.0 [127]	2.8 [71]	2.8 [71]	8 lbs [3.6 kg]
M56	1 1/2	1 1/2"	20	100	76	151	127	6.1 [155]	3.4 [86]	3.5 [89]	15 lbs [6.8 kg]
M67	2	2"	40	58	39	90	71	6.5 [165]	3.8 [97]	3.8 [97]	19 lbs [8.6 kg]