



TEL-TRU MANUFACTURING COMPANY GLASS INDUSTRIAL THERMOMETERS



World-Class Thermometers

*Since
1916*

www.teltru.com

Glass Industrial Thermometers

Tel-Tru Glass Industrial Thermometers are used on pipelines of all types in building construction, process piping, tanks, air ducts, etc., and are approved by architects, consulting engineers and contractors everywhere. One adjustable angle thermometer does the work of six specific form thermometers. When installing, it may be adjusted to any desired angle.

► SPECIFICATIONS

Case:	Cast aluminum with blue epoxy finish.
Lens:	Clear acrylic on ranges UP TO 300°F (150°C). Glass on ranges OVER 300°F (150°C).
Fill:	Blue Spirit.
Scale:	White aluminum background with black graduations and markings.
Accuracy:	±1 scale division.
Stem:	INDUSTRIAL: Aluminum with brass union connections.
Connection:	1¼" - 18 UNEF-2A and coupling nut. Air Duct stem has a reversible-mounting flange with 3 bolt holes.
Bulb Chamber:	Tapered to fit a matched taper in the sockets, giving metal to metal contact and maximum sensitivity.

► OPTIONS

- See chart on page 3

Adjustable angle models can be positioned in 10° increments allowing the user to select the most desirable viewing position.

► ADJUSTABLE ANGLE MODEL CODES

Thermowell U-Insertion	Stem "A" Length	7" Scale Codes	9" Scale Codes	12" Scale Codes
2½"	3½"	71103	71203	71303
5"	6"	71106	71206	71306
7"	8"	71108	71208	71308
11"	12"	71112	71212	71312

► RIGID STRAIGHT FORM MODEL CODES

Thermowell U-Insertion	Stem "A" Length	7" Scale Codes	9" Scale Codes	12" Scale Codes
2½"	3½"	73103	73203	73303
5"	6"	73106	73206	73306
7"	8"	73108	73208	73308
11"	12"	73112	73212	73312

► ADJUSTABLE ANGLE AIR DUCT MODEL CODES

Thermowell U-Insertion	Stem "A" Length	7" Scale Codes	9" Scale Codes	12" Scale Codes
6"	6"	72106	72206	72306
12"	12"	72112	72212	72312

► RIGID 90° ANGLE FORM MODEL CODES

Thermowell U-Insertion	Stem "A" Length	7" Scale Codes	9" Scale Codes	12" Scale Codes
2½"	3½"	74103	74203	74303
5"	6"	74106	74206	74306
7"	8"	74108	74208	74308
11"	12"	74112	74212	74312

► STANDARD TEMPERATURE RANGES

Fahrenheit	%Div.	Codes
-40 to 110°F	2°	16
0 to 100°F	2°	17
0 to 160°F	2°	19
30 to 130°F	2°	18
30 to 180°F	2°	21
30 to 240°F	2°	22
30 to 300°F	2°	23
50 to 400°F	5°	24

Celsius	%Div.	Codes
-40 to 40°C	1/2°	32
-18 to 70°C	1°	41
-18 to 38°C	1°	39
0 to 55°C	1°	40
0 to 82°C	1°	42
0 to 115°C	2°	34
0 to 150°C	2°	35
10 to 205°C	2°	43

Dual Ranges	Codes
-40 to 110°F/-40 to 40°C	56
0 to 100°F/-18 to 38°C	57
0 to 160°F/-18 to 70°C	59
30 to 130°F/0 to 55°C	58
30 to 180°F/0 to 82°C	61
30 to 240°F/0 to 115°C	62
30 to 300°F/0 to 150°C	63
50 to 400°F/10 to 205°C	64

► HOW TO ORDER SPECIFY

EXAMPLE: Adjustable Angle, 6" Scale, 0 to 100°F Temperature Range, Alcohol Spirit Fill Option

- 1) Select Stem Length and Scale Code
- 2) Temperature Range and Code
- 3) Accessories, if required

Stem Length and Scale Code	Temperature Range Code	Option Code
71106	17	1

(Note: Thermowells are recommended)

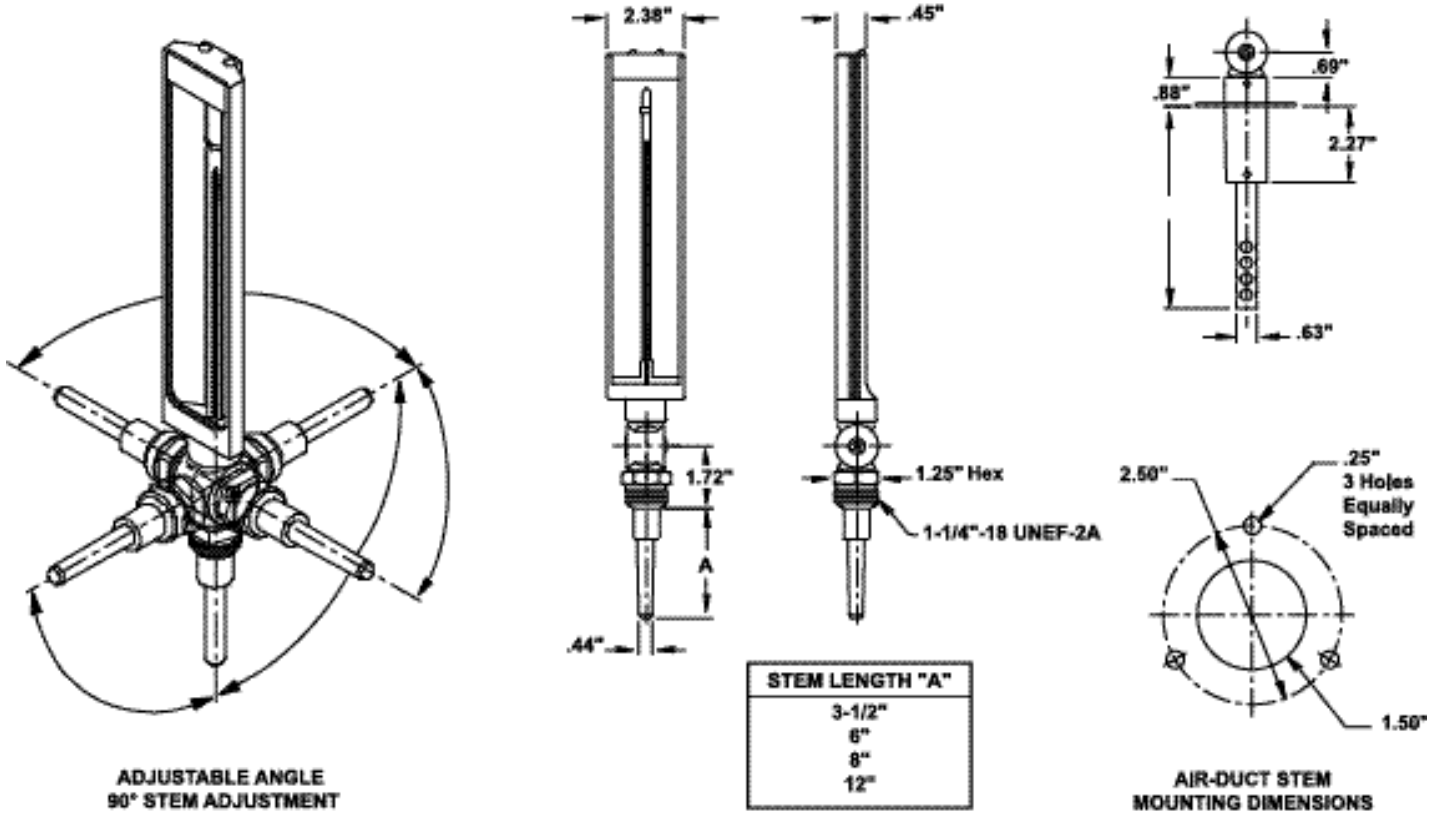


Tel-Tru Manufacturing Company

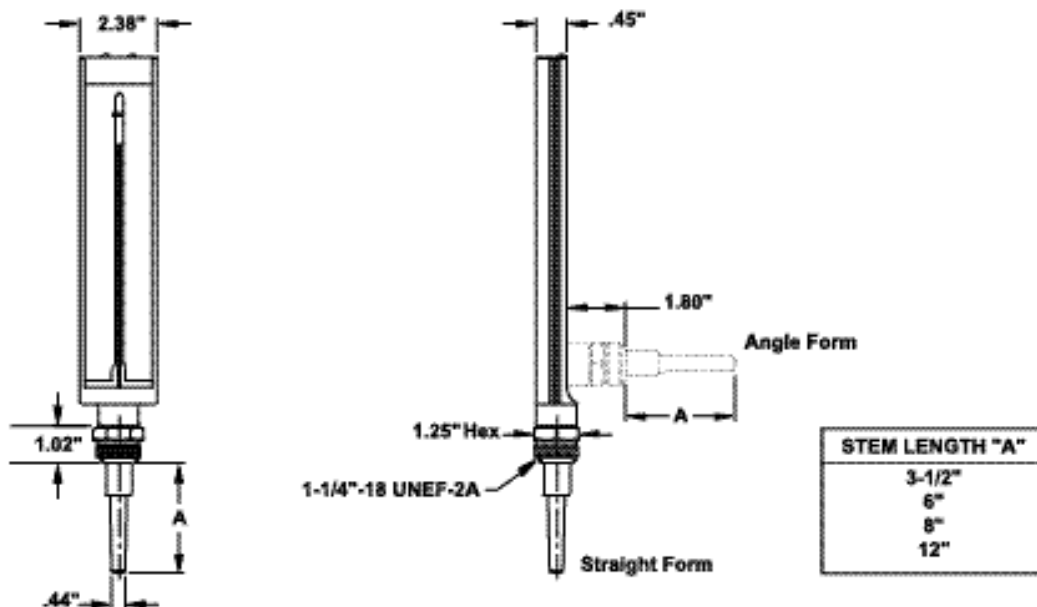
408 St. Paul St., Rochester, New York 14605 USA

Phone: 585-232-1440 • 800-232-5335 • Fax: 585-232-3857 • E-mail: info@teltru.com • Web: www.teltru.com

► **ADJUSTABLE ANGLE MODELS**



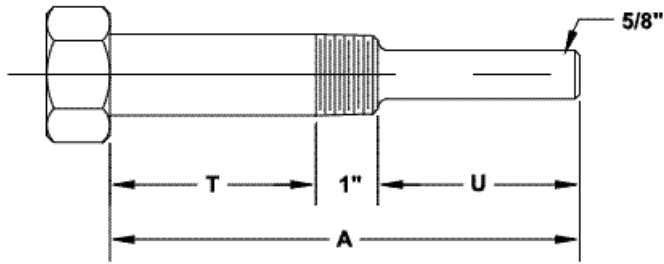
► **RIGID STEM MODELS**



(Note: All dimensions are nominal)

Industrial Thermowells and Accessories

► THERMOWELLS

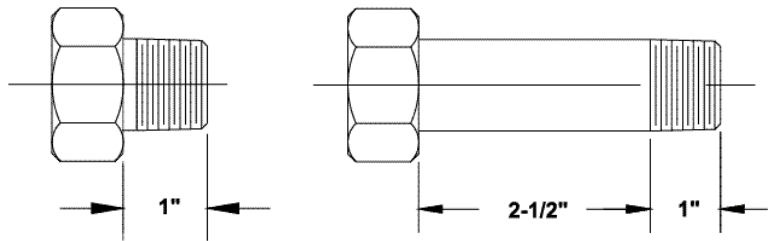


► THERMOWELL MODEL CODES

U-Insertion	T-Extension	A-Stem	NPT	Brass Code	Steel Code	304SS Code	316SS Code
2½"	None	3½"	¾"	GW001201	GW001202	GW001203	GW001204
5"	None	6"	¾"	GW002201	GW002202	GW002203	GW002204
2½"	2½"	6"	¾"	GWE02201	GWE02202	GWE02203	GWE02204
7"	None	8"	¾"	GW003201	GW003202	GW003203	GW003204
4½"	2½"	8"	¾"	GWE03201	GWE03202	GWE03203	GWE03204
11"	None	12"	1"	GW004301	GW004302	GW004303	GW004304
8½"	2½"	12"	1"	GWE04301	GWE04302	GWE04303	GWE04304

► UNION CONNECTION HUBS - For Aluminum Case

Material	NPT	Without Ext. Code	With Ext. Code
Brass	¾"	GW000201	GWE00201
Brass	1"	GW000301	GWE00301
304SS	¾"	GW000203	GWE00203
304SS	1"	GW000303	GWE00303



► OPTIONS FOR INDUSTRIAL TYPE

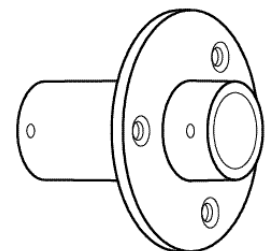
Item Description	Code
Chrome Case (9" Scale Size Only)	2
Brass Case (9" Scale Size Only)	3
304SS Stem, Coupling Nut and Seat	4
Brass Stem, Coupling Nut and Seat	5

(Note: Intermediate and Longer Stem Lengths Consult Factory)

► ACCESSORIES

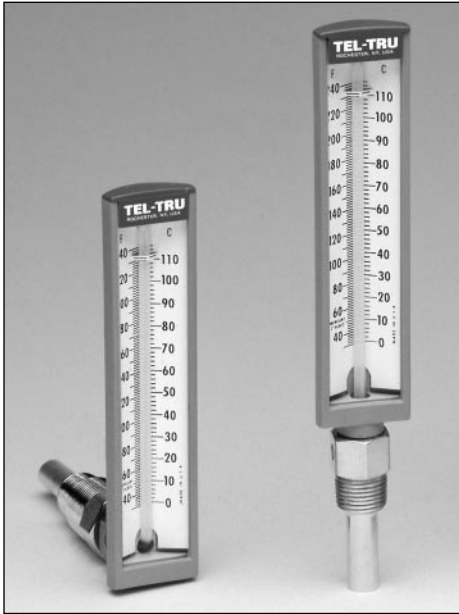
Test Well
Brass Cap and Lanyard - Add suffix "T" when ordering. Example: GW001201-T

Reversible Air Duct Flange GWF09006
Die Cast Aluminum Flange with 2" Extension Neck for Thermometer Mounting Air Ducts



6" Submarine and Economy Thermometers

Designed for diesel engines, compressors, brine lines and all small piping networks. It is especially adaptable to equipment operating under continuous vibrating conditions.



► SPECIFICATIONS

Case: 6" scale V-shaped gray Valox® case.
 Lens: *Submarine:* Heavy duty protective glass.
Economy: No lens (available as option).
 Tube: Red spirit.
 Scale: Black print on white V-shaped aluminum scale.
 Accuracy: ±1½ scale division.
 Stem and Well: Standard fittings of all brass construction.
 Submarine models standard dual threaded for ½" and ¾" NPT. Economy models standard ½" NPT brass well.

► OPTIONS

- Other configuration combinations available upon request.

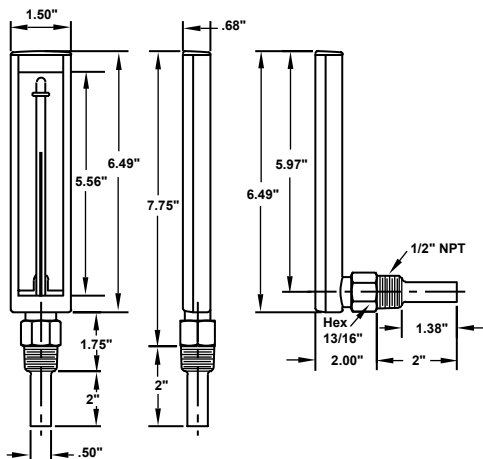
► SUBMARINE DIMENSIONS

SUBMARINE PART NUMBERS		
Form	Stem	6" Scale
Straight	2¾"	73423XX
Angle	2¾"	74423XX

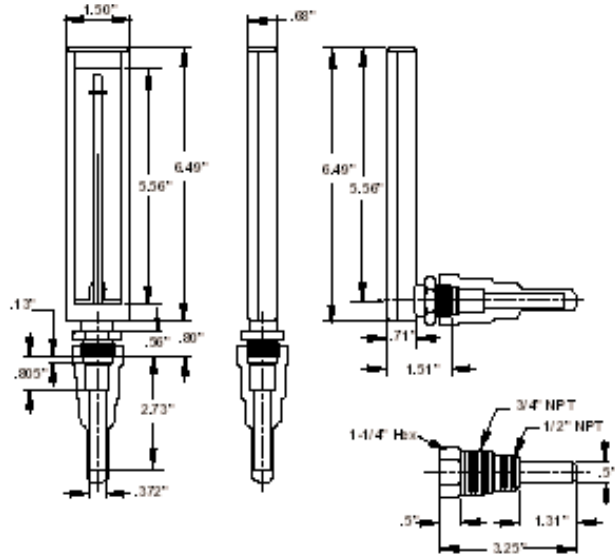
XX = Temperature Range Code

► ECONOMY DIMENSIONS

SUPER ECONOMY PART NUMBERS		
Form	Stem	6" Scale
Straight	2"	7340254R-SE
Angle	2"	7440254R-SE



ECONOMY STANDARD RANGES	
Dual Scale °F/°C	Code
40 to 260°F/5 to 125°C	54



SUBMARINE STANDARD TEMPERATURE RANGES		
Dual Scale °F/°C	°/Div.	Code
50 to 400°F/10 to 205°C	5°/2°	64
-40 to 110°F/-40 to 40°C	2°/2°	56
20 to 180°F/-6 to 82°C	2°/2°	29
30 to 240°F/0 to 114°C	2°/2°	30