

MGO INSULATED THERMOCOUPLES INDEX

	PAGE
General Information	M1
Part Numbering Examples.....	M4
Thermocouple Elements (MA).....	M5
Leadwire Style Thermocouples (MB).....	M6
Leadwire Style Thermocouples (MD, ME, MF, or MG - with transition fitting).....	M8
Standard Connector Thermocouples (MK, ML, MM, MN, MO, or MP)	M9
Miniature Connector Thermocouples (MQ, MR, or MS)	M10
Snap-Cover Connection Head Thermocouples (MT, MV, or M4)	M11
Miscellaneous Connection Head Thermocouples (MW, MX, MY, or MZ)	M12
Screw-Cover Connection Head Thermocouples (M1, M2, M3, or M8).....	M13
Sheath Mounting Fittings	M14
Sheath Mounting Fittings and Bend Options	M15

For other MgO/Thermocouple products:

See the Food, Dairy & Pharmaceutical Section of the Catalog for the following items:

- Sanitary Connected Thermocouples (CIP)
- Thermometer Replacement Thermocouples
- Penetration Style Sensors

See the Thermowell Assemblies & Thermowells Section of the Catalog for the following items:

- MgO Thermocouple Style Thermowells
- MgO Thermocouple Replacement for Thermowells

GENERAL INFORMATION, MgO INSULATED THERMOCOUPLES

SensorTec, Inc. utilizes the highest quality MgO (magnesium oxide) insulated metal sheathed cable available in all MgO thermocouples. All cable meets or exceeds all applicable ANSI/ASTM standards. MgO insulated thermocouples have many desirable characteristics (i.e. fast response, compact size, broad temperature range, formability, weldability, durability, accuracy, thermal shock and vibration resistance). These characteristics make the SensorTec MgO insulated thermocouple an excellent choice for virtually all laboratory or process applications.

The standard MgO insulated thermocouple configuration consists of ANSI/ASTM standard limits of error conductor material and standard (96%) pure insulation. Each catalog page details a variety of other configurations available.

INITIAL CALIBRATION TOLERANCES FOR THERMOCOUPLES (0°C/32°F REFERENCE JUNCTION)

Type				Temperature Range		Tolerances (whichever is greater)	
				°C	°F	Standard	Special
J	+ Lead	White	Iron	0 to 750	32 to 1652	±2.2°C or +0.75%	±1.1°C or ±0.4%
	- Lead	Red	Constantan				
K	+ Lead	Yellow	Chromel	0 to 1250	32 to 2282	±2.2°C or +0.75%	±1.1°C or ±0.4%
	- Lead	Red	Alumel				
E	+Lead	Purple	Chromel	0 to 900	32 to 1652	±1.7°C or +0.50%	±1.0°C or ±0.4%
	- Lead	Red	Constantan				
T	+ Lead	Blue	Copper	0 to 350	32 to 662	±1.0°C or +0.75%	±0.5°C or +0.4%
	- Lead	Red	Constantan				

STANDARD SHEATH MATERIALS

Type	Code	Temperature Range
304 Stainless Steel	T	899°C (1650°F)
310 Stainless Steel	V	1150°C (2100°F)
316 Stainless Steel	W	899°C (1650°F)
446 Stainless Steel	S	1150°C (2100°F)
Inconel Alloy 600	J	1212°C (2150°F)

The following table gives the maximum recommended temperature for each sheath size and material type by thermocouple calibration: (Based on single element types)

MgO Sheath Size and Rating (°F)

Calibration	Material	1/16"	1/8"	3/16"	1/4"	3/8"
J	ALL	1500	1500	1500	1500	1500
K	304 SS	1600	1600	1600	1600	1600
	310 SS	1900	2000	2000	2000	2000
	316 SS	1600	1600	1600	1600	1600
	446 SS	1900	2000	2000	2100	2100
	Alloy 600	2000	2100	2150	2150	2150
E	ALL	1600	1600	1600	1600	1600
T	ALL	662	662	662	662	662

MEASURING JUNCTION TYPES

(G) Grounded



(U) Ungrounded



(E) Exposed

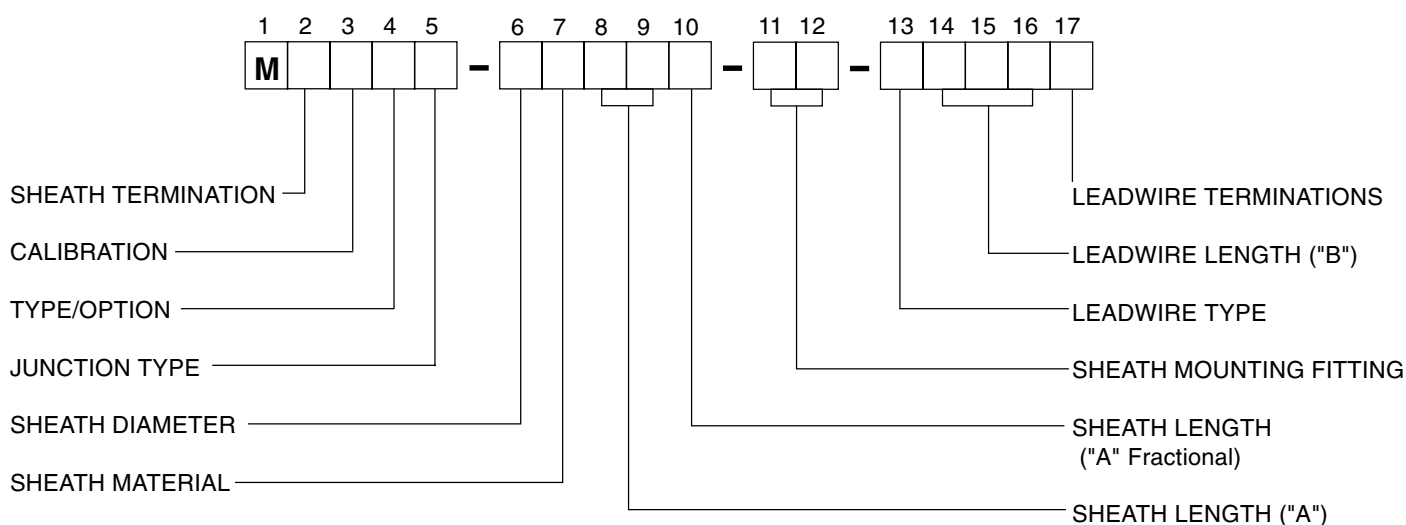


NOTE: All duplex ungrounded and exposed sensors are supplied with two thermocouples isolated from each other as standard. For diameters less than .125 OD, isolated junction must be specified. Consult factory for availability.

An ungrounded junction is recommended for small diameter thermocouples (.125" OD and under) that are to be used in high temperature applications or that are to undergo temperature calibration.

An ungrounded junction is also recommend if the thermocouple is to be used with a PLC or temperature controller that has non-isolated inputs.

PART NUMBERING EXAMPLES FOR MGO THERMOCOUPLES



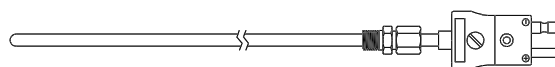
MDJ0G-KW12A-00-F060B

MGO - Type "J", Transition Fitting, Grounded, 1/4" Dia. Sheath, 12" Long, 316 SS Material, No Fitting and 5 Ft. of Stranded Fiberglass Wire with SS Overbraid, 2-1/2" Split Leads. Refer to page M-2.



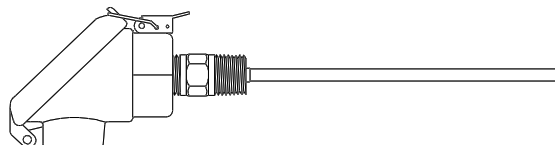
MKE0G-KT24A-2B

MGO - Type "E", Standard Male Plug, Grounded, 1/4" Dia. Sheath, 24" Long, 304 SS Material, Compression Fitting Brass 1/4" NPT. Refer to page M-3.

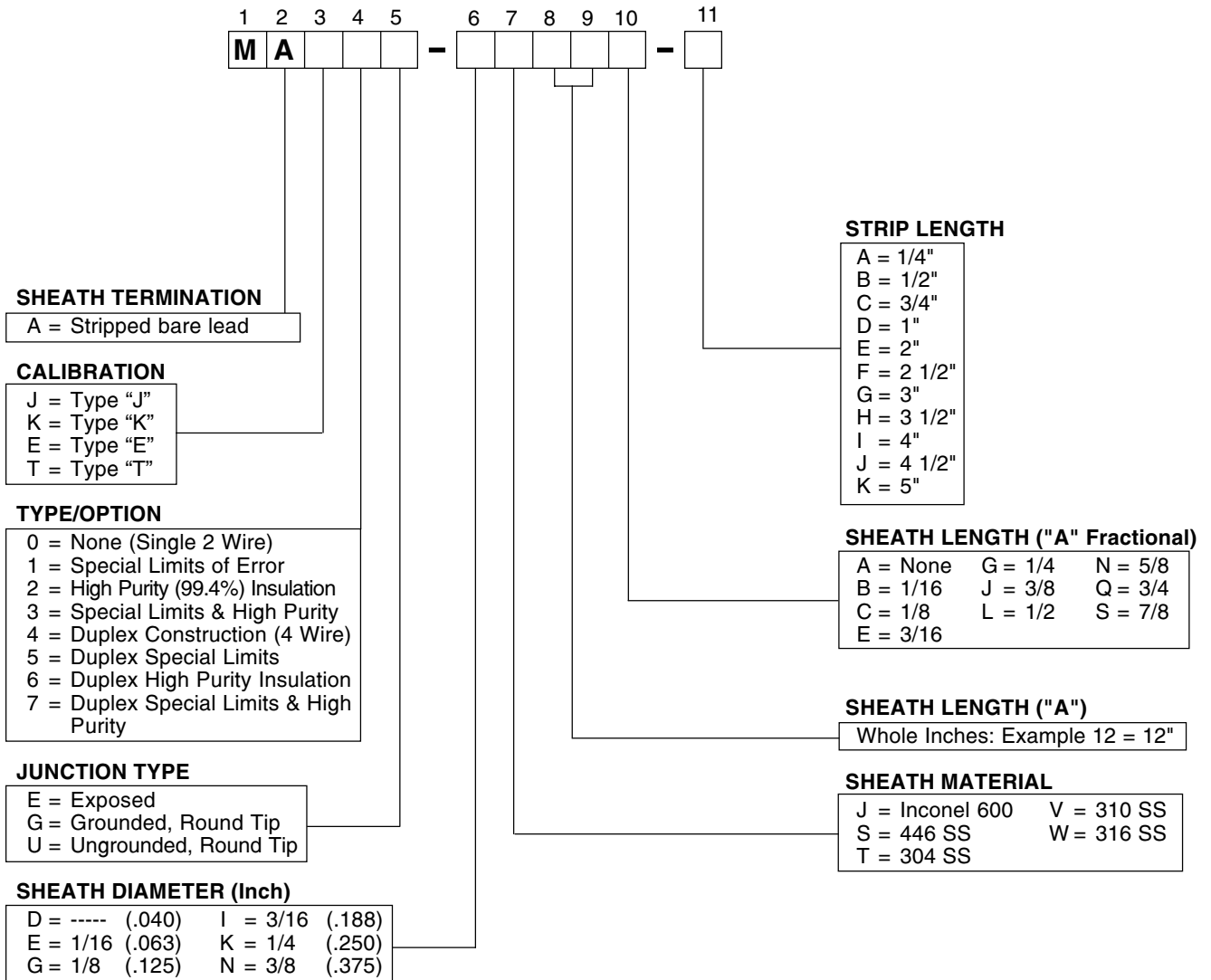
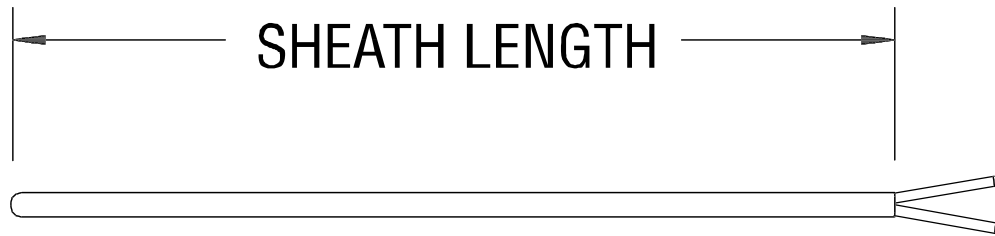


MTJ0G-KJ06L-56

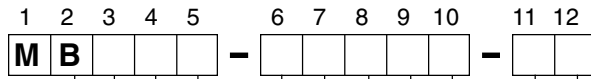
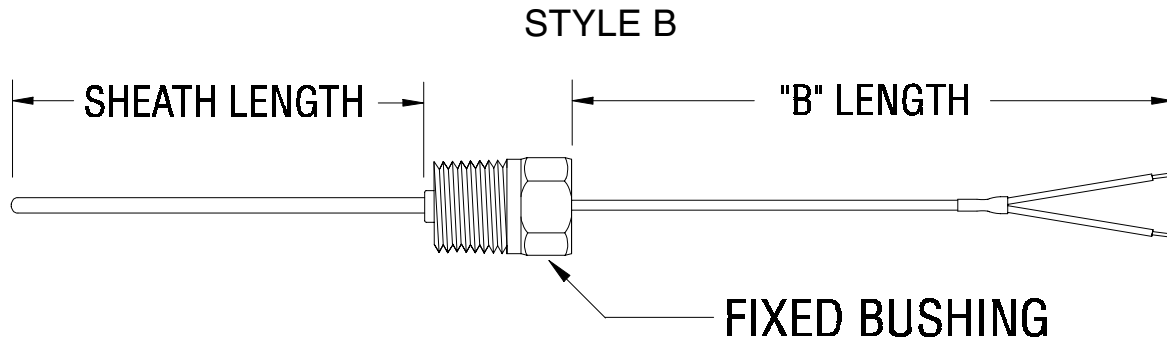
MGO - Type "J", Snap-Cover, Cast Aluminum, Grounded, 1/4" Dia. Sheath, 6-1/2" Long, Inconel 600 Material, Spring Loaded 1/2 NPT Stainless Steel Hex Nipple Mounting Provision. Refer to page M-5.



THERMOCOUPLE ELEMENTS



LEADWIRE STYLE THERMOCOUPLES



SHEATH TERMINATION

B = Sheath Style*

CALIBRATION

J = Type "J"
 K = Type "K"
 E = Type "E"
 T = Type "T"

TYPE/OPTION

0 = None (Single 2 Wire)
 1 = Special Limits of Error
 2 = High Purity (99.4%) Insulation
 3 = Special Limits & High Purity
 4 = Duplex Construction (4 Wire)
 5 = Duplex Special Limits
 6 = Duplex High Purity Insulation
 7 = Duplex Special Limits & High Purity

JUNCTION TYPE

E = Exposed
 G = Grounded, Round Tip
 U = Ungrounded, Round Tip

SHEATH DIAMETER (Inch)

D = ---- (.040)	I = 3/16 (.188)
E = 1/16 (.063)	K = 1/4 (.250)
G = 1/8 (.125)	N = 3/8 (.375)

SHEATH MATERIAL

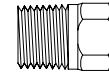
J = Inconel 600	V = 310 SS
S = 446 SS	W = 316 SS
T = 304 SS	

SHEATH LENGTH ("A")

Whole Inches: Example 12 = 12"

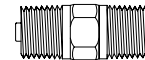
SHEATH MOUNTING FITTINGS (One of the following fittings must be used with this style MGO assembly)

Fixed Bushings



- 6A 316 Stainless Steel 1/8 NPT
- 6B 316 Stainless Steel 1/4 NPT
- 6D 316 Stainless Steel 1/2 NPT
- 6E 316 Stainless Steel 3/4 NPT
- 7A Brass 1/8 NPT
- 7B Brass 1/4 NPT
- 7D Brass 1/2 NPT

Hex Nipples



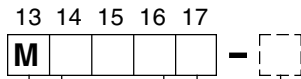
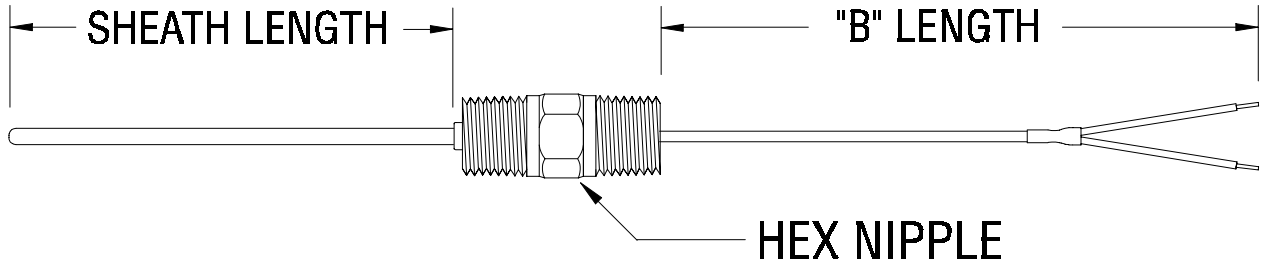
- 45 Steel, brazed on 1/2 NPT
- 46 Stainless Steel (316SS) 1/8 NPT
- 47 Stainless Steel (316SS) 1/4 NPT
- 48 Stainless Steel (316SS) 1/2 NPT
- 55 Steel, spring loaded 1/2 NPT
- 56 Stainless Steel, spring loaded 1/2NPT
- 57 Stainless Steel, self contained spring loaded 1/2 NPT (1/4" sheath only)
- 60 Stainless Steel (316) 3/4 NPT
- 61 Stainless Steel (316) 1 NPT

SHEATH LENGTH ("A" Fractional)

A = None	G = 1/4	N = 5/8
B = 1/16	J = 3/8	Q = 3/4
C = 1/8	L = 1/2	S = 7/8
E = 3/16		

*Note: For Replaceable elements (MC) for Thermowells see the Thermowell Section

LEADWIRE STYLE THERMOCOUPLES (CONTINUED)



SPECIAL OPTIONS

- T = Teflon Encapsulated Sheath
- S = Solid Pins on Plug

LEADWIRE TERMINATIONS

- A = None
- B = 2-1/2" Split Leads
- C = 2-1/2" Split Leads w/#8 Spade Lugs
- D = 2-1/2" Split Leads w/#8 Spade Lugs & BX Connector
- E = 2-1/2" Split Leads w/1/4" Push-on Connectors
- J = 2-1/2" Split Leads w/ Insulated Crimp Pins
- K = Standard Male Plug (200°C)
- L = Standard Plug with Mating Jack
- M = Standard Female Jack
- N = Hi-Temp Male Plug (427°C)
- O = Hi-Temp Plug with Mating Jack
- P = Hi-Temp Female Jack
- Q = Miniature Male Plug (200°C)
- R = Miniature Plug Mating Jack
- S = Miniature Female Jack

LEADWIRE LENGTH ("B")

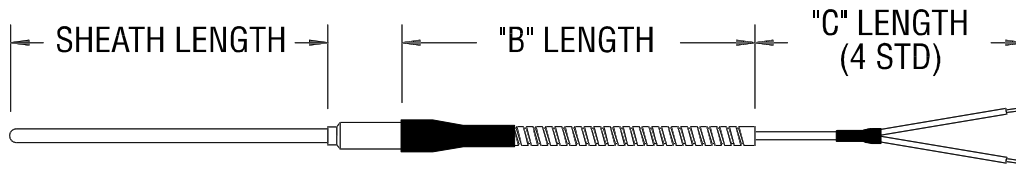
Whole Inches: Example: 048 = 48 Inches

LEADWIRE TYPE

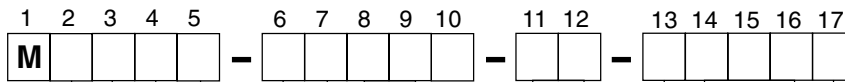
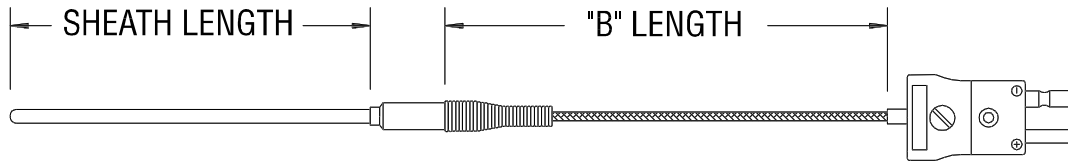
- A = Solid Fiberglass (482°C)
- B = Solid Fiberglass with SS Flex Armor
- C = Solid Fiberglass with SS Overbraid
- D = Stranded Fiberglass
- E = Stranded Fiberglass with SS Flex Armor
- F = Stranded Fiberglass with SS Overbraid
- G = Hi-Temp Fiberglass (704°C)
- H = Hi-Temp Fiberglass with SS Flex Armor
- J = Solid Teflon (200°C)
- K = Solid Teflon with SS Flex Armor
- M = Stranded Teflon
- N = Stranded Teflon with SS Flex Armor
- O = Stranded Teflon with SS Overbraid
- S = Stranded PVC (105°C)

LEADWIRE STYLE THERMOCOUPLES

STYLE D & E



STYLE F & G



SHEATH TERMINATION

- D = Transition Fitting (200°C)
- E = Hi-Temp Transition Fitting (900°C)
- F = Transition w/Relief Spring (200°C)
- G = Hi-Temp Transition w/Relief Spring (900°C)

CALIBRATION

- J = Type "J"
- K = Type "K"
- E = Type "E"
- T = Type "T"

TYPE/OPTION

- 0 = None (Single 2 Wire)
- 1 = Special Limits of Error
- 2 = High Purity (99.4%) Insulation
- 3 = Special Limits & High Purity
- 4 = Duplex Construction (4 Wire)
- 5 = Duplex Special Limits
- 6 = Duplex High Purity Insulation
- 7 = Duplex Special Limits & High Purity

JUNCTION TYPE

- E = Exposed
- G = Grounded, Round Tip
- U = Ungrounded, Round Tip

SHEATH DIAMETER (Inch)

- | | |
|------------------|-----------------|
| D = ----- (.040) | I = 3/16 (.188) |
| E = 1/16 (.063) | K = 1/4 (.250) |
| G = 1/8 (.125) | N = 3/8 (.375) |

SHEATH MATERIAL

- | | |
|-----------------|------------|
| J = Inconel 600 | V = 310 SS |
| S = 446 SS | W = 316 SS |
| T = 304 SS | |

SHEATH LENGTH ("A")

Whole Inches: Example 12 = 12"

LEADWIRE TERMINATIONS

- A = None
- B = 2-1/2" Split Leads
- C = 2-1/2" Split Leads w/#8 Spade Lugs
- D = 2-1/2" Split Leads w/#8 Spade Lugs & BX Connector
- E = 2-1/2" Split Leads w/1/4" Push-on Connectors
- J = 2-1/2" Split Leads w/ Insulated Crimp Pins
- K = Standard Male Plug (200°C)
- L = Standard Plug with Mating Jack
- M = Standard Female Jack
- N = Hi-Temp Male Plug (427°C)
- O = Hi-Temp Plug with Mating Jack
- P = Hi-Temp Female Jack
- Q = Miniature Male Plug (200°C)
- R = Miniature Plug Mating Jack
- S = Miniature Female Jack

LEADWIRE LENGTH ("B")

Whole Inches: Example: 048 = 48 Inches

LEADWIRE TYPE

- A = Solid Fiberglass (482°C)
- B = Solid Fiberglass with SS Flex Armor
- C = Solid Fiberglass with SS Overbraid
- D = Stranded Fiberglass
- E = Stranded Fiberglass with SS Flex Armor
- F = Stranded Fiberglass with SS Overbraid
- G = Hi-Temp Fiberglass (704°C)
- H = Hi-Temp Fiberglass with SS Flex Armor
- J = Solid Teflon (200°C)
- K = Solid Teflon with SS Flex Armor
- M = Stranded Teflon
- N = Stranded Teflon with SS Flex Armor
- O = Stranded Teflon with SS Overbraid

SHEATH MOUNTING FITTINGS

Select from pages #M-14 & M-15

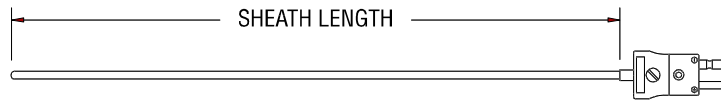
SHEATH LENGTH ("A" Fractional)

- | | | | |
|----------|----------|---------|---------|
| A = None | E = 3/16 | L = 1/2 | S = 7/8 |
| B = 1/16 | G = 1/4 | N = 5/8 | |
| C = 1/8 | J = 3/8 | Q = 3/4 | |

NOTE: For Teflon Encapsulated Sheath, add "T" to the end of P/N

STANDARD CONNECTOR THERMOCOUPLES

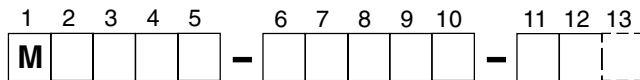
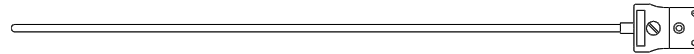
STYLE K



STYLE L



STYLE M



SHEATH TERMINATION

- K = Standard Male Plug (200°C)
- L = Standard Plug with Mating Jack
- M = Standard Female Jack
- N = Hi-Temp Male Plug (427°C)
- O = Hi-Temp Plug with Mating Jack
- P = Hi-Temp Female Jack

CALIBRATION

- J = Type "J"
- K = Type "K"
- E = Type "E"
- T = Type "T"

TYPE/OPTION

- 0 = None (Single 2 Wire)
- 1 = Special Limits of Error
- 2 = High Purity (99.4%) Insulation
- 3 = Special Limits & High Purity
- 4 = Duplex Construction (4 Wire)
- 5 = Duplex Special Limits
- 6 = Duplex High Purity Insulation
- 7 = Duplex Special Limits & High Purity

JUNCTION TYPE

- E = Exposed
- G = Grounded, Round Tip
- U = Ungrounded, Round Tip

SHEATH DIAMETER (Inch)

- | | |
|------------------|-----------------|
| D = ----- (.040) | I = 3/16 (.188) |
| E = 1/16 (.063) | K = 1/4 (.250) |
| G = 1/8 (.125) | N = 3/8 (.375) |

SPECIAL OPTIONS

- T = Teflon Encapsulated Sheath
- S = Solid Pins on Plug

SHEATH MOUNTING FITTINGS

- Select from pages #M-14 & M-15
- None = 00

SHEATH LENGTH ("A" Fractional)

- | | |
|----------|---------|
| A = None | J = 3/8 |
| B = 1/16 | L = 1/2 |
| C = 1/8 | N = 5/8 |
| E = 3/16 | Q = 3/4 |
| G = 1/4 | S = 7/8 |

SHEATH LENGTH ("A")

- Whole Inches: Example: 012 = 12 Inches

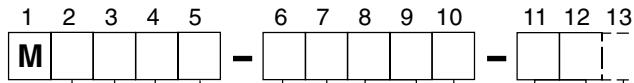
NOTE: For Sheath lengths over 99 inches, insert a 3 digit length and delete the fractional code.

Example: 144 = 144"

SHEATH MATERIAL

- J = Inconel 600
- S = 446 SS
- T = 304 SS
- V = 310 SS
- W = 316 SS

MINIATURE CONNECTOR THERMOCOUPLES



SHEATH TERMINATION

- Q = Miniature Male Plug (200°C)
- R = Miniature Plug with Mating Jack
- S = Miniature Female Jack

CALIBRATION

- J = Type "J"
- K = Type "K"
- E = Type "E"
- T = Type "T"

TYPE/OPTION

- 0 = None (Single 2 Wire)
- 1 = Special Limits of Error
- 2 = High Purity (99.4%) Insulation
- 3 = Special Limits & High Purity
- 4 = Duplex Construction (4 Wire)
- 5 = Duplex Special Limits
- 6 = Duplex High Purity Insulation
- 7 = Duplex Special Limits & High Purity

JUNCTION TYPE

- E = Exposed
- G = Grounded, Round Tip
- U = Ungrounded, Round Tip

SHEATH DIAMETER (Inch)

- D = ----- (.040)
- E = 1/16 (.063)
- G = 1/8 (.125)
- I = 3/16 (.188)

SPECIAL OPTIONS

- T = Teflon Encapsulated Sheath

SHEATH MOUNTING FITTINGS

- Select from pages #M-14 & M-15
- None = 00

SHEATH LENGTH ("A" Fractional)

- A = None J = 3/8
- B = 1/16 L = 1/2
- C = 1/8 N = 5/8
- E = 3/16 Q = 3/4
- G = 1/4 S = 7/8

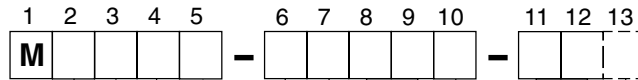
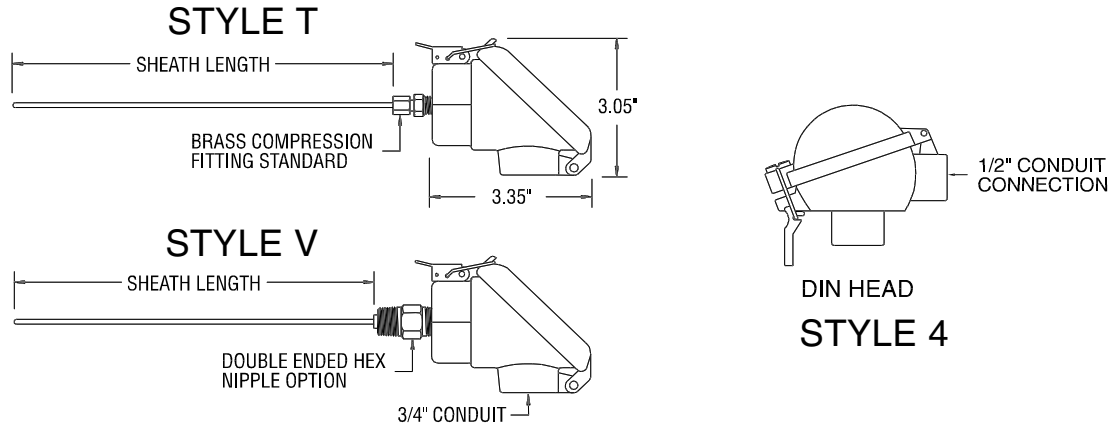
SHEATH LENGTH ("A")

- Whole Inches: Example: 012 = 12 Inches
- NOTE: For Sheath lengths over 99 inches, insert a 3 digit length and delete the fractional code.
- Example: 144 = 144"

SHEATH MATERIAL

- J = Inconel 600
- S = 446 SS
- T = 304 SS
- V = 310 SS
- W = 316 SS

SNAP-COVER CONNECTION HEAD THERMOCOUPLES



SHEATH TERMINATION

- T = Cast Aluminum Weatherproof (200°C)
- V = Black Polypropylene Weatherproof (90°C)
- 4 = Din "B" Size Aluminum WP (200°C) (T-304)

CALIBRATION

- J = Type "J"
- K = Type "K"
- E = Type "E"
- T = Type "T"

TYPE/OPTION

- 0 = None (Single 2 Wire)
- 1 = Special Limits of Error
- 2 = High Purity (99.4%) Insulation
- 3 = Special Limits & High Purity
- 4 = Duplex Construction (4 Wire)
- 5 = Duplex Special Limits
- 6 = Duplex High Purity Insulation
- 7 = Duplex Special Limits & High Purity

JUNCTION TYPE

- E = Exposed
- G = Grounded, Round Tip
- U = Ungrounded, Round Tip

SHEATH DIAMETER (Inch)

- G = 1/8 (.125)
- I = 3/16 (.188)
- K = 1/4 (.250)
- N = 3/8 (.375)

SPECIAL OPTIONS

- G = Ground Screw
- T = Teflon Encapsulated Sheath

SHEATH MOUNTING FITTINGS

- Select from pages #M-14 & M-15
- None = 00

SHEATH LENGTH ("A" Fractional)

- A = None J = 3/8
- B = 1/16 L = 1/2
- C = 1/8 N = 5/8
- E = 3/16 Q = 3/4
- G = 1/4 S = 7/8

SHEATH LENGTH ("A")

Whole Inches: Example: 012 = 12 Inches

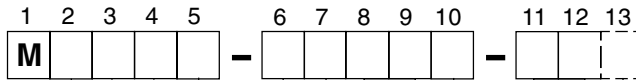
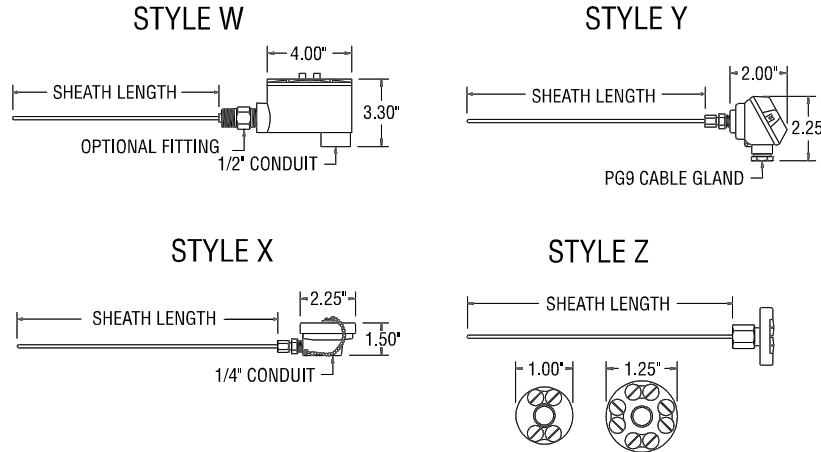
NOTE: For Sheath lengths over 99 inches, insert a 3 digit length and delete the fractional code.

Example: 144 = 144"

SHEATH MATERIAL

- J = Inconel 600
- S = 446 SS
- T = 304 SS
- V = 310 SS
- W = 316 SS

MISCELLANEOUS CONNECTION HEAD THERMOCOUPLES



SHEATH TERMINATION

- W = Explosion Proof (200°C)*
- X = Miniature Plastic (177°C)
- Y = Miniature Aluminum (200°C)
- Z = Plastic Open Disk (200°C)

CALIBRATION

- J = Type "J"
- K = Type "K"
- E = Type "E"
- T = Type "T"

TYPE/OPTION

- 0 = None (Single 2 Wire)
- 1 = Special Limits of Error
- 2 = High Purity (99.4%) Insulation
- 3 = Special Limits & High Purity
- 4 = Duplex Construction (4 Wire)
- 5 = Duplex Special Limits
- 6 = Duplex High Purity Insulation
- 7 = Duplex Special Limits & High Purity

JUNCTION TYPE

- E = Exposed
- G = Grounded, Round Tip
- U = Ungrounded, Round Tip

SPECIAL OPTIONS

- T = Teflon Encapsulated Sheath

SHEATH MOUNTING FITTINGS

- Select from pages #M-14 & M-15
- None = 00

SHEATH LENGTH ("A" Fractional)

- A = None J = 3/8
- B = 1/16 L = 1/2
- C = 1/8 N = 5/8
- E = 3/16 Q = 3/4
- G = 1/4 S = 7/8

SHEATH LENGTH ("A")

- Whole Inches: Example: 012 = 12 Inches
- NOTE: For Sheath lengths over 99 inches, insert a 3 digit length and delete the fractional code.
- Example: 144 = 144"

SHEATH MATERIAL

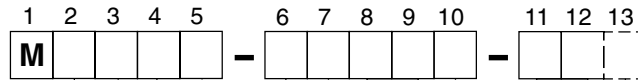
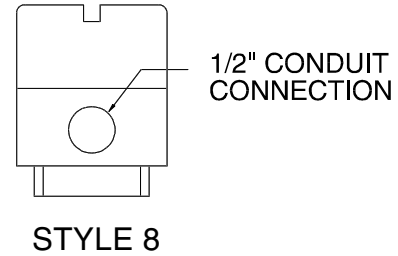
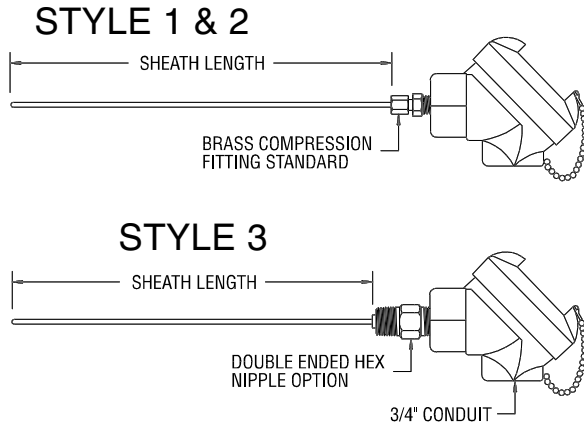
- J = Inconel 600
- S = 446 SS
- T = 304 SS
- V = 310 SS
- W = 316 SS

SHEATH DIAMETER (Inch)

- G = 1/8 (.125)
- I = 3/16 (.188)
- K = 1/4 (.250)
- N = 3/8 (.375)

* Explosion Proof Head Meets the Following Location Classification:
 Class I, Groups C & D
 Class II, Groups E, F, & G
 Class III, Div. 1 & 2
 NEMA 7, Groups C & D
 NEMA 9, Groups E, F, & G

SCREW-COVER CONNECTION HEAD THERMOCOUPLES



SHEATH TERMINATION

- 1 = Cast Aluminum Weatherproof (200°C)
- 2 = Cast Iron Weatherproof (200°C)
- 3 = Grey Delrin Plastic (135°C)
- 8 = Stainless Steel Weatherproof (200°C)

CALIBRATION

- J = Type "J"
- K = Type "K"
- E = Type "E"
- T = Type "T"

TYPE/OPTION

- 0 = None (Single 2 Wire)
- 1 = Special Limits of Error
- 2 = High Purity (99.4%) Insulation
- 3 = Special Limits & High Purity
- 4 = Duplex Construction (4 Wire)
- 5 = Duplex Special Limits
- 6 = Duplex High Purity Insulation
- 7 = Duplex Special Limits & High Purity

JUNCTION TYPE

- E = Exposed
- G = Grounded, Round Tip
- U = Ungrounded, Round Tip

SHEATH DIAMETER (Inch)

- G = 1/8 (.125)
- I = 3/16 (.188)
- K = 1/4 (.250)
- N = 3/8 (.375)

SPECIAL OPTIONS

- G = Ground Screw
- T = Teflon Encapsulated Sheath

SHEATH MOUNTING FITTINGS

- Select from pages #M-14 & M-15
- None = 00

SHEATH LENGTH ("A" Fractional)

- A = None J = 3/8
- B = 1/16 L = 1/2
- C = 1/8 N = 5/8
- E = 3/16 Q = 3/4
- G = 1/4 S = 7/8

SHEATH LENGTH ("A")

Whole Inches: Example: 012 = 12 Inches

NOTE: For Sheath lengths over 99 inches, insert a 3 digit length and delete the fractional code.

Example: 144 = 144"

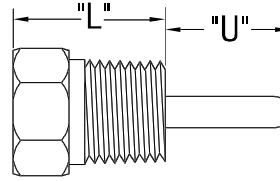
SHEATH MATERIAL

- J = Inconel 600
- S = 446 SS
- T = 304 SS
- V = 310 SS
- W = 316 SS

SHEATH MOUNTING FITTINGS

Fixed Brazed or Welded Bushings

Code	Description	NPT	"L"
6A	316 Stainless Steel	1/8	.80
6B	316 Stainless Steel	1/4	.81
6D	316 Stainless Steel	1/2	1.09
6E	316 Stainless Steel	3/4	1.20
7A	Brass	1/8	.80
7B	Brass	1/4	.96
7D	Brass	1/2	1.20



Insert "U" length

Ex. 6 D04 = 4" "U" length

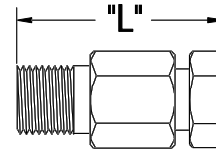


COMPRESSION FITTINGS

One-time Adjustable*

Available Sizes and "L" Length

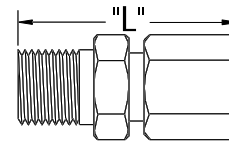
Code	Description	NPT	1/16"	1/8"	3/16"	1/4"	3/8"
1A	Stainless Steel	1/8	1.27	1.24	1.29	1.29	N/A
1B	Stainless Steel	1/4	1.22	1.40	1.43	1.49	1.57
1D	Stainless Steel	1/2	N/A	1.66	N/A	1.76	1.82
2A	Brass	1/8	1.03	1.02	1.10	1.15	N/A
2B	Brass	1/4	1.22	1.40	1.18	1.24	1.28
2D	Brass	1/2	1.40	1.35	1.25	1.44	1.53



Re-Adjustable*

Available Sizes and "L" Length

Code	Description	NPT	1/16"	1/8"	3/16"	1/4"	3/8"
3A	Stainless Steel	1/8	1.21	1.21	1.21	N/A	N/A
3B	Stainless Steel	1/4	N/A	1.40	1.43	2.50	2.50
3D	Stainless Steel	1/2	N/A	1.66	N/A	1.76	1.82

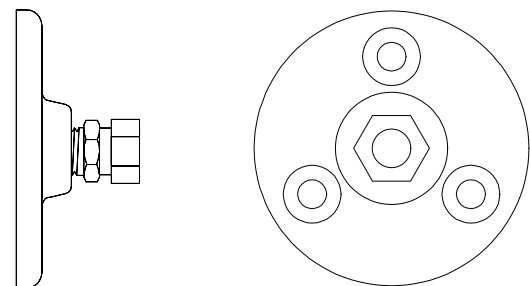


NOTE: All Re-adjustable fittings contain Teflon ferrules standard.
Consult Sales for Neoprene or Lava ferrules

Mounting Flanges*

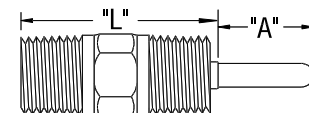
Code	Description
25	Flange w/ Brass Compression, Adjustable
26	Flange w/SS Compression, Adjustable

* NOT AVAILABLE WITH TEFLON COATED SHEATH!



Double Ended Hex Nipples

Code	Description	NPT	"L"	Compatible with Head Order Codes
45	Steel, brazed on	1/2	2.10	T, V, W, 1, 2, 3, 4, 5, 8
46	Stainless Steel (316SS)	1/8	1.01	T, V, X, Y, 1
47	Stainless Steel (316SS)	1/4	2.10	T, V, X, Y, 1
48	Stainless Steel (316SS)	1/2	2.10	T, V, W, 1, 2, 3, 4, 5, 8
55	Steel, spring loaded	1/2	2.10	T, V, 1, 2, 3, 4, 5, 8
56	Stainless Steel, spring loaded	1/2	2.10	T, V, 1, 2, 3, 4, 5, 8
57	Stainless Steel, self contained spring loaded (1/4" sheath only)	1/2	2.50	T, V, W, 1, 2, 3, 4, 5, 8
60	Stainless Steel (316SS)	3/4	2.50	T, V, W, 1, 2, 3, 4, 5, 8
61	Stainless Steel (316SS)	1	2.50	T, V, W, 1, 2, 3, 4, 5, 8

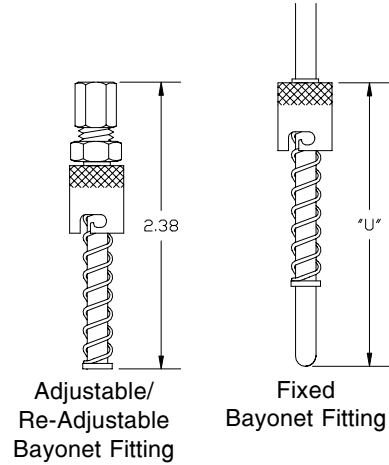


SHEATH MOUNTING FITTINGS and BEND OPTIONS

Bayonet Fittings

Code	Description	Available Sheath Sizes
27	Adjustable Bayonet Fitting	1/8
28	Re-Adjustable Bayonet Fitting	1/8
29	Fixed Bayonet Fitting	1/8, 3/16, 1/4

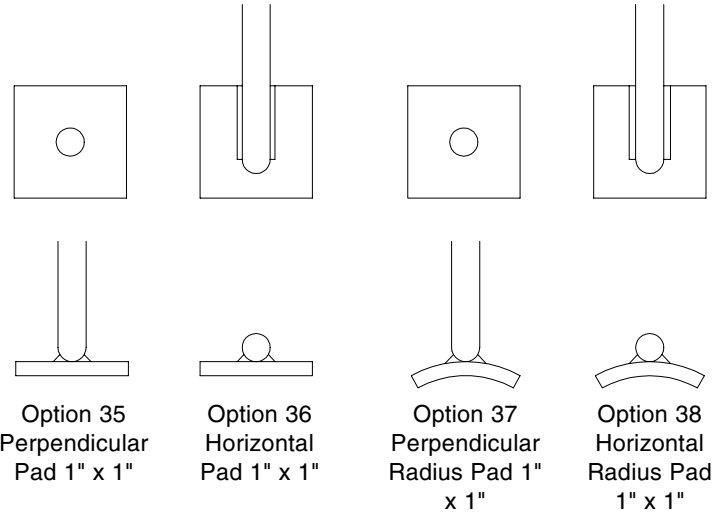
* Insert "U" length
Ex. 2904 = 4" "U" length



Weld Pads

Code	Description
35	Perpendicular Pad, 316 SS, 1" x 1"
36	Horizontal Pad, 316 SS, 1" x 1"
37*	Perpendicular Radius Pad*, 316 SS, 1" x 1"
38*	Horizontal Radius Pad*, 316 SS, 1" x 1"

* Specify Radius (Ex. 37(2)=2"R)



Sheath Bends

Code	Description
A*	90° Bend
B*	45° Bend

* Insert "U" Length
Ex. A04=4" "U" Length

