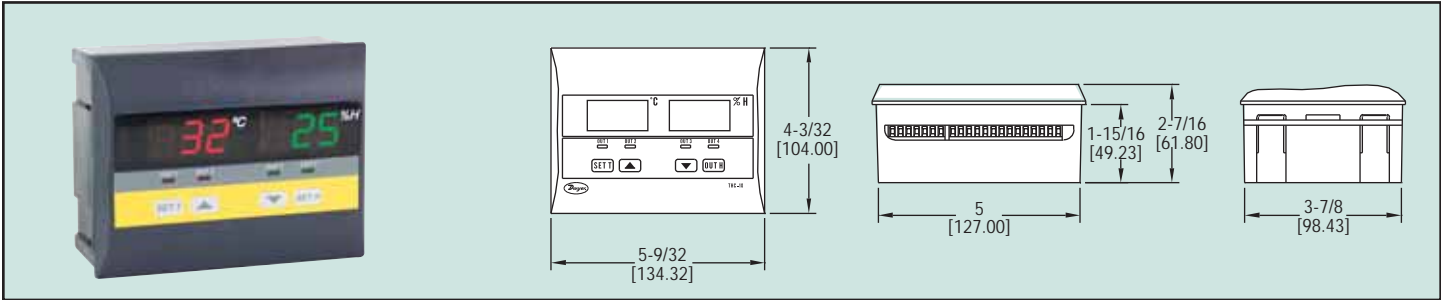




THC

Temperature/Humidity Switch

Independent Displays, 61 Programmable Parameters, 4 SPST Relays



Simultaneously measure and control temperature and humidity with the Series THC Temperature/Humidity Switch. The unit offers a 3-digit red display for temperature indication and a 3-digit green display indicating humidity. The Series THC is equipped with four independent relays, two for temperature control and two relays for humidity control.

The unit offers 61 programmable parameters for temperature and humidity control including set point, differential, direct/reverse acting, cycle time, alarm clock time, and decimal point adjustment. In the event of a probe error, the default operation of the relays can be set to open or close. The THC features error or alarm messaging and password protection.

The THC Temperature/Humidity Switch accepts up to two temperature probe inputs (sold separately) and a humidity sensor. A humidity sensor with 0-1V, 0-3V (sold separately), or 4-20 mA output can be used with the Series THC.

Model	Description
THC-10	°F 110 VAC
THC-11	°C 110 VAC
THC-20	°F 230 VAC
THC-21	°C 230 VAC

SPECIFICATIONS

- Measurement Range:** Temperature: -58 to 302°F (-50 to 150°C); Humidity: 0 to 100% RH.
- Input:** Up to 2 thermistors and 1 humidity sensor.
- Output:** 4 SPST, 8A relays @ 250 VAC.
- Horsepower Rating (HP):** 1/3 HP.
- Control Type:** ON/OFF direction, direct or reverse acting, neutral.
- Power Requirements:** 110 or 230 VAC (depending on model).
- Accuracy:** Temperature ±0.5% of probe range; Humidity: 20 to 80%.

- Display:** Two 3-digit displays. 1/2" digits.
- Resolution:** 0.1°.
- Memory Backup:** Nonvolatile memory.
- Ambient Operating Temperature:** 32 to 158°F (0 to 70°C).
- Storage Temperature:** -4 to 176°F (-20 to 80°C).
- Weight:** 1.17 lb (530 g).
- Panel Cutout:** 5.15" x 2.37" (131 x 111 mm).
- Front Panel Protection:** IP64.
- Agency Approvals:** CE.

ACCESSORIES

- THC-P,** Humidity probe with 3V output & 4 ft (1.2 m) cable
- TS-5,** Temperature probe, PVC with 5 ft (1.5 m) cable
- TS-6,** Temperature probe, metal with 5 ft (1.5 m) cable
- TS-51,** Temperature probe, PVC with 10 ft (3 m) cable
- TS-61,** Temperature probe, metal with 10 ft (3 m) cable