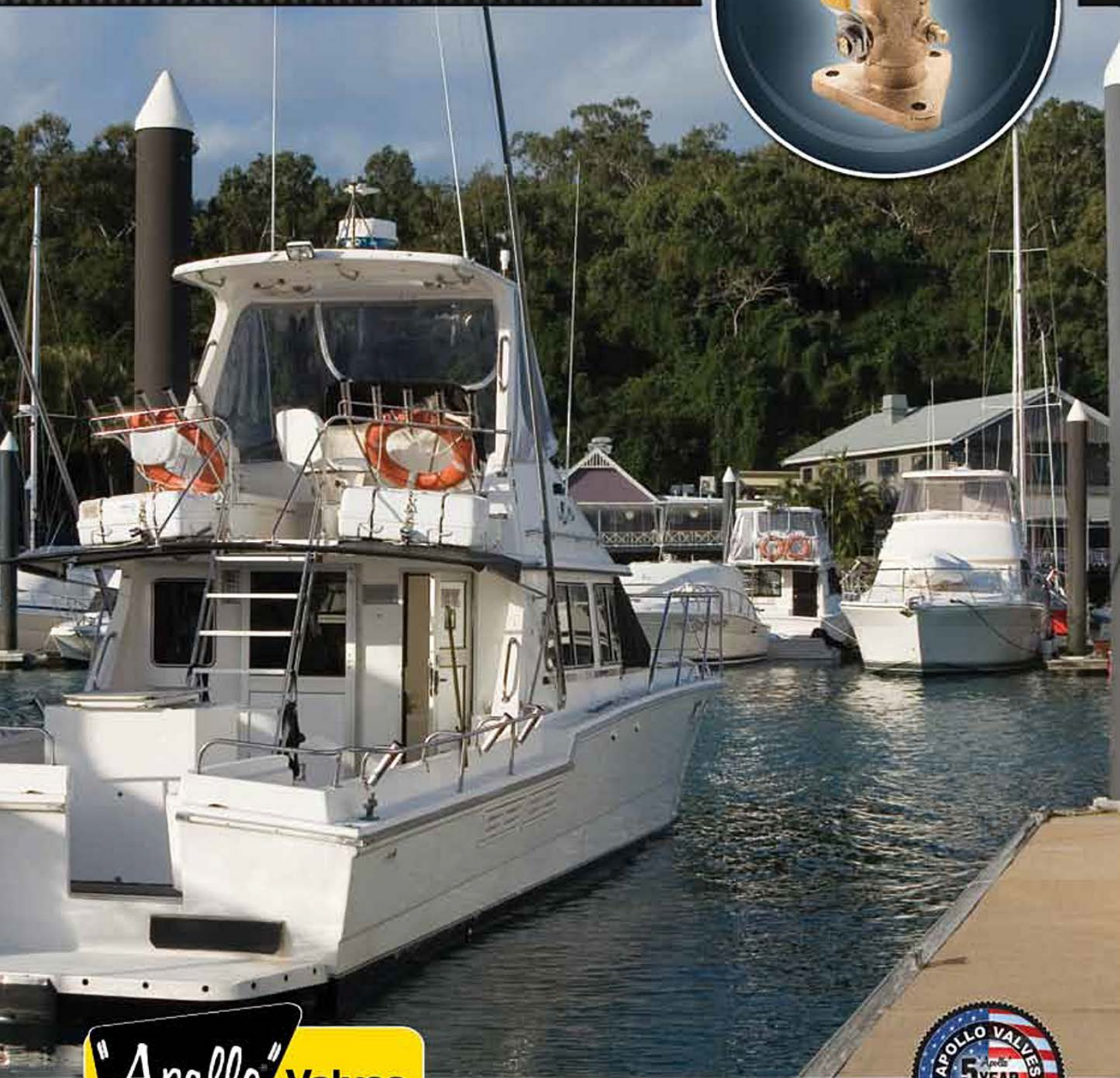
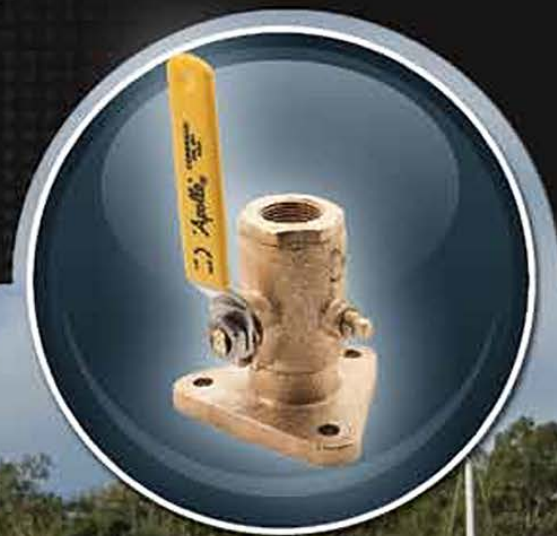


# MARINE VALVES & FITTINGS







# A history of Quality, Service and Innovation

Now in its ninth decade, Conbraco Industries, Inc. is a leading manufacturer of flow control products for U.S. and international markets. The company's headquarters is based in Matthews, North Carolina with manufacturing plants and foundries located in Pageland and Conway, South Carolina.

Conbraco has a history of new product development and innovation that dates back to the company's inception in 1928. Today, the Conbraco line of products is marketed under the "Apollo Valves" brand and includes: ball valves, butterfly valves, backflow prevention devices, water pressure reducing valves, mixing valves, safety relief valves, water gauges, strainers, vacuum breakers, valve actuators and more.

Conbraco's vertically integrated manufacturing ensures a consistency of production, testing, quality and availability. It's your assurance that Conbraco flow control products will deliver long term performance advantages. All Conbraco plants are registered to ISO 9001:2008 quality standards.

The Conbraco line continues to expand - with new products, designs and advanced materials - to better serve the needs of our customers in the chemical processing, pulp and paper, petroleum, residential and commercial plumbing and heating markets, as well as manufacturing and other markets.



**PAGELAND, SC**  
Bronze Foundry and Manufacturing Plant



**PAGELAND, SC**  
Final Assembly and Distribution Center



**CONWAY, SC**  
Steel Foundry and Manufacturing Plant



**MATTHEWS, NC**  
Corporate Headquarters

## TABLE OF CONTENTS

Apollo Full Flow Sea Flange Valves . . . . .	3	Stainless Steel Ball Cone Check Valve 62 Series. . . . .	7
Apollo Economy Sea Flange Valves . . . . .	3	Thru-Hull Connections and Components . . . . .	8-9
78-600/900 Series Bronze Valve w/Center Drain. . . . .	4	Intake Strainer - One Piece . . . . .	9
77-100-10 Series Shut-Off Valve . . . . .	4	Pipe to Hose Adapter . . . . .	10
70-100-10 Series Shut-Off Valve . . . . .	5	90° Pipe to Hose Adapter . . . . .	10
5-Port Fuel Tank Selector Ball Valve . . . . .	5	Warranty . . . . .	11
Series 70-600-10 Three-Way Diverter Valve . . . . .	6		
Ball Type Fuel Shut-Off Valve . . . . .	6		
Bronze Ball Cone Check Valve 61 Series. . . . .	7		

# MARINE VALVES AND FITTINGS

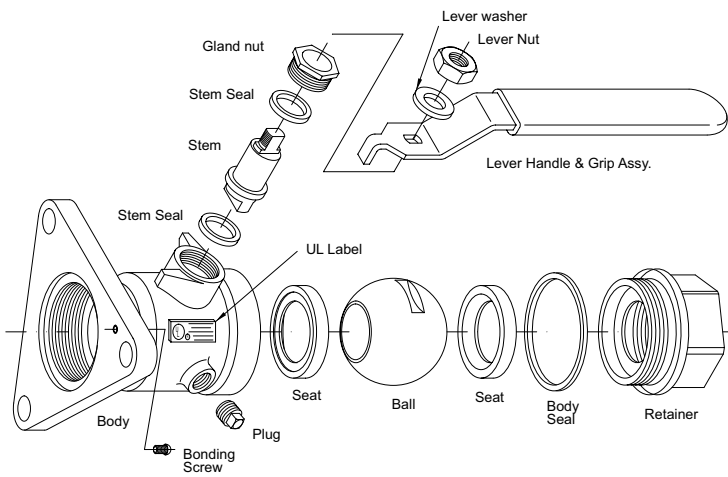
## Sea Flange Valves

### APOLLO® FULL FLOW SEA FLANGE VALVES

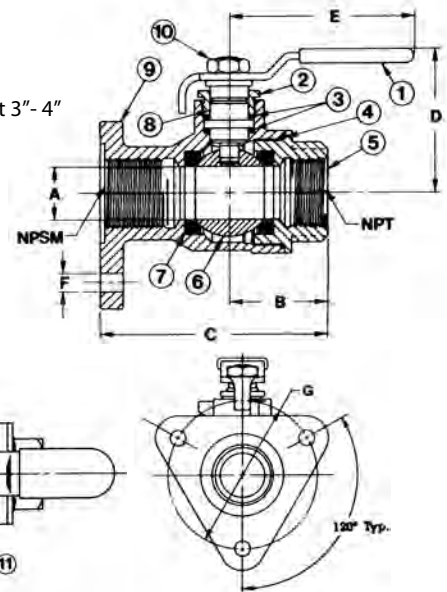
An 85-5-5 bronze ball type valve developed to replace plug and other types of sea cocks in the boating industry. Features like these make the full flow Apollo® Sea Flange your best choice for long-lasting performance and value.

#### FEATURES:

- Underwriters Laboratories listed
- All AYBA recommended materials
- All bronze wetted metallic components
- Large flow ports (designated by "F" at the end of the part #)\*\*
- RPTFE seats and seals
- Chromium plated bronze ball—resists damage from marine growth
- Easy on-off operation
- Winterizing drain plug
- No thumb screws to create seal
- Stainless steel lever and nut
- Compact, streamlined efficient design
- No lubrication required
- Bonding screw standard



1. Lever & grip
2. Gland screw
3. Stem seals
4. Body seal, except 3"- 4"
5. Retainer
6. Ball
7. Seat (2)
8. Stem
9. Body
10. Lever nut
11. Plug



Part Number	NPT Size	Dimensions (in.)								WT/100
		A	B	C	D	E	F	G	H	
78-115-01F**	3/4"	0.75	1.56	3.62	2.16	4.78	0.34	3.12	0.06	270
78-118-01	1"	1.00	1.87	4.25	2.62	5.50	0.34	3.37	0.25	380
78-119-01	1 1/4"	1.25	2.15	4.81	2.81	5.50	0.34	3.62	0.37	575
78-116-01F**	1 1/2"	1.50	2.37	5.21	3.13	5.37	0.34	4.50	0.34	725
78-120-01	2"	2.00	2.84	6.25	4.68	8.00	0.34	5.00	0.87	1290
78-117-01	2 1/2"	2.50	3.18	6.87	4.00	8.00	0.34	5.87	1.00	1820
78-121-01A	3"	3.12	3.54	7.23	5.21	9.93	0.40	7.00	1.25	2118
78-122-01A	4"	4.00	3.75	8.06	5.68	9.93	1.13	8.44	1.90	3305

Contact Customer Service for availability on locking handle option

\*\* Large flow ports

### APOLLO® ECONOMY SEA FLANGE VALVES

Same great features and quality all-bronze construction as Full Flow Sea Flange valves, but with standard port design and lower cost.

Part Number	NPT Size	Dimensions (in.)								WT/100
		A	B	C	D	E	F	G	H	
78-115-01	3/4"	0.68	1.50	3.50	2.18	4.87	0.34	3.12	0.06	232
78-116-01	1 1/2"	1.25	2.18	4.81	2.87	5.50	0.34	4.50	0.18	630

Contact Customer Service for availability on locking handle option

# MARINE VALVES AND FITTINGS

## Bronze Valve with Center Drain

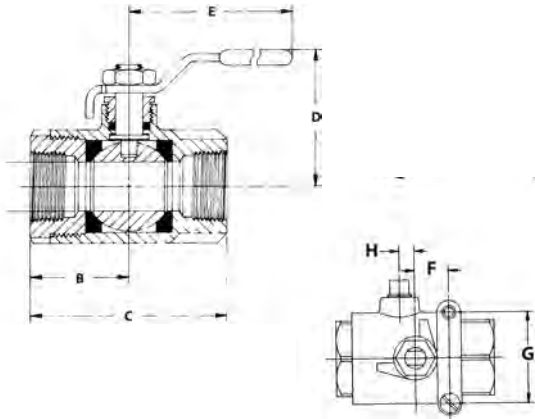
### 78-600/900 SERIES



Center tap drain allows winterization of the valve. Bonding screw allows valve to be connected to the vessel's bonding system.

#### FEATURES:

- Bronze body
- Chromium plated brass ball
- RPTFE seats and stuffing box ring
- Blow-out-proof stem design
- Stainless steel lever and nut
- Mounting pads
- Tapered pipe threads



Part Number	NPT Size	Dimensions (in.)								WT/100
		A	B	C	D	E	F	G	H	
78-664-01	3/4"	0.68	1.50	3.00	2.12	4.87	0.87	1.37	0.17	153
78-665-01	1"	0.87	1.68	3.37	2.25	4.87	0.87	1.37	0.21	186
78-666-01	1 1/4"	1.00	2.00	4.00	2.62	5.50	0.93	1.50	0.28	339
78-667-01	1 1/2"	1.25	2.18	4.37	3.05	8.00	0.93	1.50	0.40	468
78-962-01	2"	1.50	2.34	4.69	3.24	8.00	0.93	1.50	0.45	572

## Shut-Off Valve

### 77-100-10 SERIES



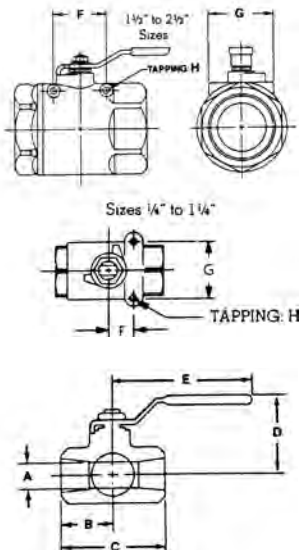
The bronze full port Apollo® with mounting pads for easy, secure installation and quick, convenient bonding. Use in any valve application where full flow is required.

#### FEATURES:

- Bronze Body
- Chromium Plated Brass Ball
- RPTFE Seats And Stuffing Box Ring
- Blow-Out-Proof Stem Design
- Stainless Steel Lever And Nut

#### OPTIONS:

- 316 stainless steel ball and stem



Part Number	NPT Size	Dimensions (in.)								WT/100
		A	B	C	D	E	F	G	H	
77-101-10	1/4"	0.43	1.12	2.25	1.81	3.87	0.50	1.12	10-24NC	79
77-102-10	3/8"	0.50	1.12	2.25	1.81	3.87	0.50	1.12	10-24NC	75
77-103-10	1/2"	0.50	1.12	2.25	1.81	3.87	0.50	1.12	10-24NC	69
77-104-10	3/4"	0.81	1.56	3.12	2.12	4.87	0.87	1.37	10-24NC	183
77-105-10	1"	1.00	1.81	3.62	2.62	5.50	0.93	1.50	1/4-20NC	332
77-106-10	1 1/4"	1.25	2.12	4.25	2.87	5.50	0.93	1.50	1/4-20NC	505
77-107-10	1 1/2"	1.50	2.37	4.75	3.34	8.00	2.08	3.06	5/16-24NF	671
77-108-10	2"	2.00	2.65	5.37	3.71	8.00	2.41	3.52	5/16-24NF	1175
77-109-10	2 1/2"	2.50	3.25	6.50	4.12	8.00	2.75	3.37	1/4-20NC	1725



# MARINE VALVES AND FITTINGS

## Shut-Off Valve

### 70-100-10 SERIES

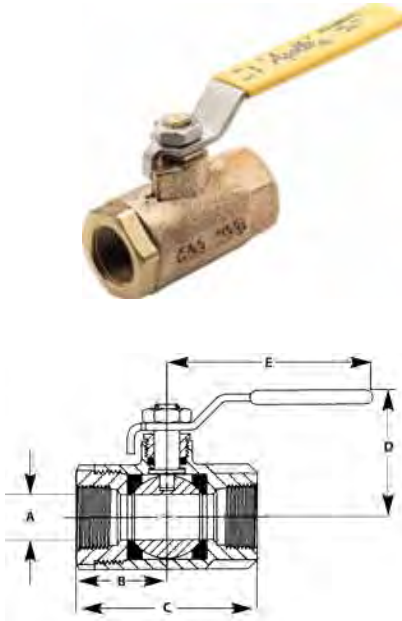
The mainstay of our valve line. Dependable, competitive and available with stainless steel lever and nut.

#### FEATURES:

- Bronze body
- Chromium plated brass ball
- RPTFE seats and stuffing box ring
- Blow-out-proof stem design
- Stainless steel lever and nut

#### OPTIONS:

- 316 stainless steel ball and stem



Part Number	NPT Size	Dimensions (in.)					WT/100
		A	B	C	D	E	
70-101-10	1/4"	0.37	1.03	2.06	1.75	3.87	60
70-102-10	3/8"	0.37	1.03	2.06	1.75	3.87	56
70-103-10	1/2"	0.50	1.12	2.25	1.75	3.87	63
70-104-10	3/4"	0.68	1.50	3.00	2.12	4.87	139
70-105-10	1"	0.87	1.68	3.37	2.25	4.87	172
70-106-10	1 1/4"	1.00	2.00	4.00	2.62	5.50	326
70-107-10	1 1/2"	1.25	2.18	4.37	3.06	8.00	461
70-108-10	2"	1.50	2.34	4.68	3.25	8.00	608
70-109-10A	2 1/2"	2.50	3.25	6.50	4.12	8.00	1725
70-100-10	3"	2.50	3.37	6.75	4.12	8.00	1860

## 5-Port Fuel Tank Selector Ball Valve

### MODELS 78-124-01 & 78-125-01A

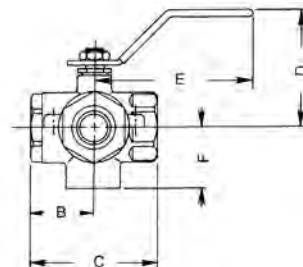
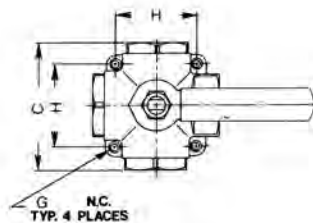
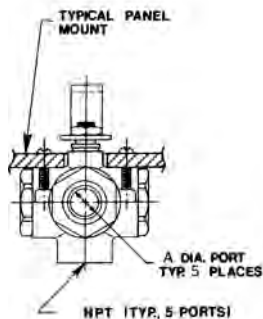
Unique ball design allows for higher flow capacities. Perfect for tank selection on larger vessels. Five port construction allows access to four tanks using only one valve.

#### FEATURES:

- Five NPT connections
- Bronze ball valve with stainless steel lever and nut
- RPTFE stem packing (virgin seats)
- Stem packing adjustable for wear
- 50 psig pressure rating
- Operation: Four selected inlets feed one common outlet - pointer on handle indicates the selected inlet
- Non-lubricated
- Easy mounting design



Part Number	Size	Dimensions (in.)								WT/100
		A	B	C	D	E	F	G	H	
78-124-01	1/2"	0.50	1.26	2.52	2.27	3.53	1.12	10-24	1.40	106
78-125-01A	3/4"	0.75	1.53	3.12	2.87	3.87	1.53	1/4-20	1.98	264



# MARINE VALVES AND FITTINGS

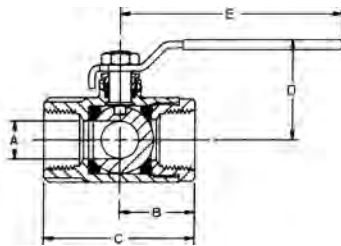
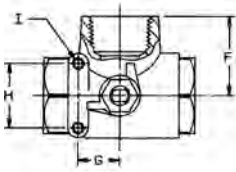
## Three-Way Diverter Valve

### SERIES 70-600-10

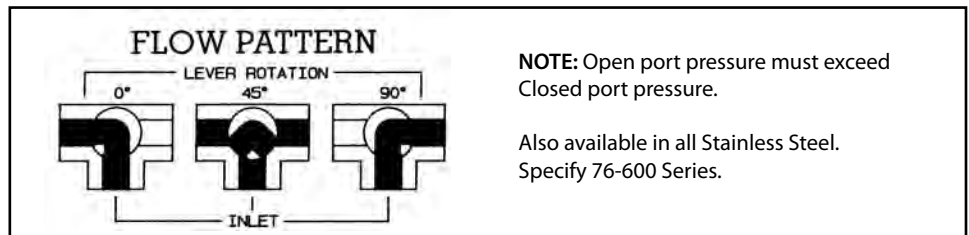
Fuel tank selection, oil transfer, and water tank selection are only a few of the uses for this versatile valve.

#### FEATURES:

- Bronze body
- Chromium plated bronze ball
- RPTFE seats and stuffing box ring
- Stainless steel lever and nut
- Mounting/bonding pads
- Blow-out-proof stem design
- 400 psig service rating
- Adjustable packing gland



Part Number	Size	Dimensions (in.)									WT/100
		A	B	C	D	E	F	G	H	I	
70-603-10	1/2"	0.50	1.09	2.25	1.75	3.87	1.18	0.87	1.37	10-24	76
70-604-10	3/4"	0.68	1.50	3.00	2.12	4.87	1.62	0.87	1.37	10-24	231
70-605-10	1"	0.81	1.59	3.18	2.25	4.87	1.71	0.87	1.37	10-24	204
70-606-10	1 1/4"	1.00	1.97	3.95	2.69	5.50	2.01	0.93	1.50	1/4-20	385
70-607-10	1 1/2"	1.25	2.21	4.40	2.87	5.50	2.38	0.94	1.50	1/4-20	522
70-608-10	2"	1.50	2.34	4.69	3.00	5.50	2.50	0.94	1.50	1/4-20	620



## Ball Type Fuel Shut-Off Valve

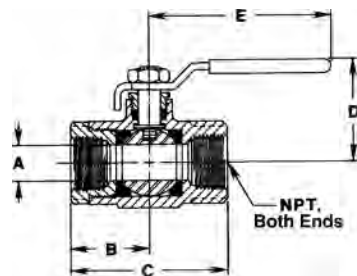


Quality bronze valve features "mounting ears" for quick easy installation, and positive mounting. Can also be used for bonding.

#### FEATURES:

- Surface mounted
- 400 psig service rating
- RPTFE seats and seals
- All wetted metallic parts are brass or cast bronze
- Fast 90° on-off turn
- Tested 100 psig air under water
- Stainless steel lever and nut
- Optional with stainless steel ball and stem

(Optional Tee Handle Illustrated)

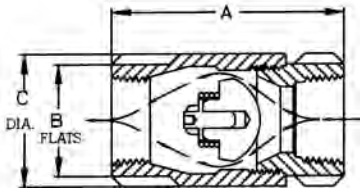


Part Number	Size	Dimensions (in.)					WT/100
		A	B	C	D	E	
78-248-10	1/4"	0.43	1.12	2.25	1.78	3.87	68
78-250-10	3/8"	0.50	1.12	2.25	1.78	3.87	68
78-256-10	1/2"	0.50	1.12	2.25	1.78	3.87	65
78-438-10	3/4"	0.68	1.50	3.00	2.12	4.87	140

# MARINE VALVES AND FITTINGS

## Bronze Ball Cone Check Valve

### 61 SERIES



61-100 Shown

Prevents reverse flow with minimum change in flow velocity.

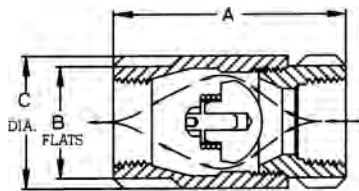
#### FEATURES:

- Tight shut off
- No radial alignment necessary
- Straight through and streamlined for minimum change in velocity
- Ball-Cone™ Check Is spring loaded for fast seating action (constructed of RPTFE)
- Not recommended for reciprocating pumps and similar applications conducive to repetitious vibrations
- Optional light spring
- Soft seat design - specify 61-500 Series
- Solder connections – specify 61-600 Series

Part Number	Part Number	Size	Dimensions (in.)			Approx. Open Pressure	WT/100
			A	B	C		
61-101-01	61-501-01	1/4"	2-1/16	1 1/8	1 1/8	1/2 PSIG	38
61-102-01	61-502-01	3/8"	2-1/8	1 1/8	1 1/8	1/2 PSIG	38
61-103-01	61-503-01	1/2"	2-5/18	1 1/8	1 1/8	1/2 PSIG	38
61-104-01	61-504-01	3/4"	2-7/8	1 3/8	1 1/2	1/2 PSIG	75
61-105-01	61-505-01	1"	3-1/2	1 3/4	1 15/16	1/2 PSIG	145
61-106-01	61-506-01	1 1/4"	4-3/16	2 1/8	2 3/8	1/2 PSIG	275
61-107-01	61-507-01	1 1/2"	4-15/16	2 1/2	2 13/16	1/2 PSIG	394
61-108-01	61-508-01	2"	6	3	3 11/16	1/2 PSIG	630

## Stainless Steel Ball Cone Check Valve

### 62 SERIES



62-100 Shown

Prevents reverse flow with minimum change in flow velocity.

#### FEATURES:

- Tight shut off
- No radial alignment necessary
- Straight through and streamlined for minimum change in velocity
- Ball-Cone™ Check Is spring loaded for fast seating action (constructed of RPTFE)
- All wetted metal parts are 316 stainless steel
- Not recommended for reciprocating pumps and similar applications conducive to repetitious vibrations
- Optional light spring
- Soft seat design - specify 62-500 Series

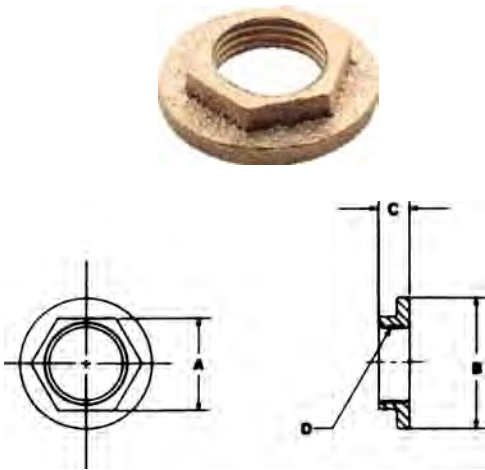
Part Number	Part Number	Size	Dimensions (in.)			Approx. Open Pressure	WT/100
			A	B	C		
62-102-01	62-502-01	3/8"	2-1/8	1 1/8	1 1/8	1/2 PSIG	38
62-103-01	62-503-01	1/2"	2-5/18	1 1/8	1 1/8	1/2 PSIG	38
62-104-01	62-504-01	3/4"	2-7/8	1 3/8	1 1/2	1/2 PSIG	75
62-105-01	62-505-01	1"	3-1/2	1 3/4	1 15/16	1/2 PSIG	145
62-106-01	–	1 1/4"	4-3/16	2 1/8	2 3/8	1/2 PSIG	275
62-107-01	–	1 1/2"	4-15/16	2 1/2	2 13/16	1/2 PSIG	394
62-108-01	–	2"	6	3	3 11/16	1/2 PSIG	630

# MARINE VALVES AND FITTINGS

## Thru-Hull Connections and Components

### BRONZE FLANGE NUTS - PLAIN BRONZE FINISH ONLY

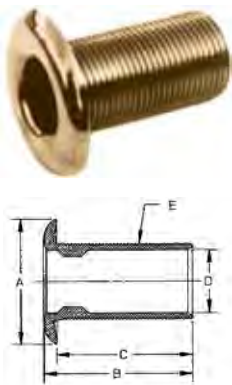
Conbraco offers a wide selection of thru-hull connections and components, available in a wide range of sizes. \*\* = Specify "BF" for Bronze Fitting only. Specify "BN" for Bronze Fitting with nut. Designed and built with large surface to distribute load, for longer service life and more reliable connections; 85-5-5-5 bronze.



Part Number	Size	Dimensions (in.)				WT/100
		A	B	C	D	
65-007-65	1/2"	1.00	1.50	0.312	1/2" NPSM	7
65-006-38	3/4"	1.25	1.84	0.406	3/4" NPSM	12.5
65-006-39	1"	1.56	2.15	0.468	1" NPSM	20
65-006-40	1 1/4"	1.90	2.59	0.50	1 1/4" NPSM	29
65-006-41	1 1/2"	2.16	2.90	0.50	1 1/2" NPSM	40
65-006-42	2"	2.59	3.31	0.593	2" NPSM	52

### THRU-HULL CONNECTIONS

For connections below the waterline; 85-5-5-5 Bronze



Part Number	Size	Dimensions (in.)					WT/100*
		A	B	C	D	E	
65-**7-63	1/2"	1.70	2.5	2.26	0.469	1/2" NPSM	33.5
65-**7-50	3/4"	1.93	2.46	2.25	0.75	3/4" NPSM	35
65-**7-51	1"	2.31	2.75	2.5	1.03	1" NPSM	47.5
65-**7-52	1 1/4"	2.81	3.28	3	1.313	1 1/4" NPSM	84
65-**7-53	1 1/2"	3.06	3.62	3.31	1.53	1 1/2" NPSM	107.5
65-**7-54	2"	3.62	3.81	3.5	2.00	2" NPSM	142
65-**7-55	2 1/2"	4.31	3.93	3.56	2.43	2 1/2" NPSM	216.5

\*\* = Specify "BF" For Bronze Fitting Only. Specify "BN" For Bronze Fitting With Nut.

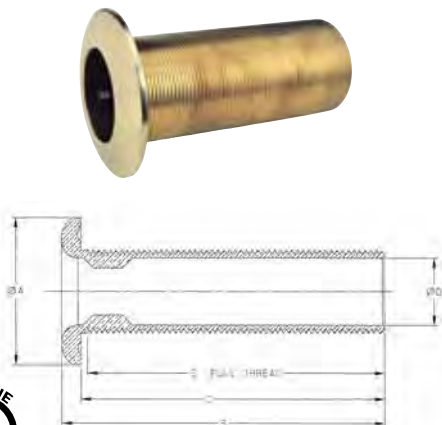
\* = Weights are listed without nuts



(Excludes 1/2, 3/4")

### EXTRA LONG THRU-HULL CONNECTIONS

Extra long to allow for thru-hull connections through the transom or through the bottom of foam filled hulls; 85-5-5-5 bronze.



Part Number	Max. Hull	Dimensions (in.)					Pipe Size	WT/100*
		A	B	C	D	E		
65-**8-03	5.25	1.88	5.94	5.63	0.75	5.51	3/4" NPSM	70.5
65-**8-04	5.19	2.25	5.88	5.53	1.00	5.41	1" NPSM	95
65-**8-05	5	2.75	5.88	5.50	1.25	5.38	1 1/4" NPSM	159.5
65-**8-06	5	3.06	5.88	5.50	1.50	5.38	1 1/2" NPSM	188.5
65-**8-07	5	3.69	6.03	5.63	2.00	5.51	2" NPSM	209.5
65-**8-08	5	4.44	5.94	5.50	2.50	5.38	2 1/2" NPSM	314

\*\* = Specify "BF" For Bronze Fitting Only. Specify "BN" For Bronze Fitting With Nut.

\* = Weights are listed without nuts



(Excludes 3/4")

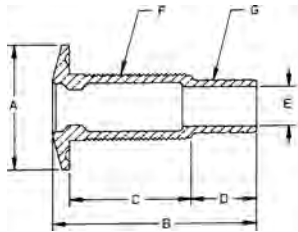


# MARINE VALVES AND FITTINGS

## Thru-Hull Connections and Components

### THRU-HULL CONNECTIONS - BARBED

Recommended for use above the waterline; 85-5-5-5 bronze.



(Excludes 1/2", 3/4")



Part Number	Max. Hull	Dimensions (in.)					Pipe Size F	Hose Size G	WT/100*
		A	B	C	D	E			
65-**7-97	1.06	1.56	3.00	1.5	1.25	0.44	1/2" NPSM	0.63	28.5
65-**7-98	1.63	1.88	3.69	2.06	1.38	0.56	3/4" NPSM	0.75	40.5
65-**7-99	1.75	2.42	3.88	2.25	1.31	0.75	1" NPSM	1.00	74
65-**7-01	1.88	2.81	4.25	2.44	1.47	1.00	1 1/4" NPSM	1.25	106.5
65-**7-02	1.88	3.06	4.25	2.38	1.50	1.25	1 1/2" NPSM	1.50	123.5
65-**7-03	1.88	2.81	4.25	2.44	1.44	0.87	1 1/4" NPSM	1.13	104

\*\* = Specify "BF" For Bronze Fitting Only. Specify "BN" For Bronze Fitting With Nut.

\* = Weights are listed without nuts

## Intake Strainer

### ONE PIECE INTAKE STRAINER

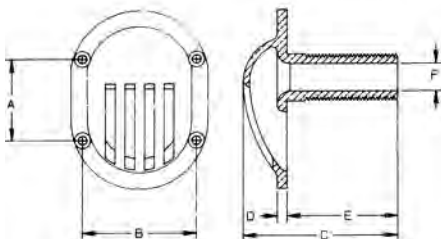
Designed for long life, easy installation; 85-5-5-5 bronze.



Part Number	Max. Hull	Strainer Dim.	Dimensions (in.)						Pipe Size	WT/100*
			A	B	C	D	E	F		
65-**8-09	2.00	2.6 X 3.5	1.56	2.19	3.00	0.19	2.13	0.53	1/2" NPSM	68
65-**8-10	2.19	3 X 4	1.94	2.47	3.63	0.19	2.56	0.75	3/4" NPSM	93.4
65-**8-11	2.50	3 X 4	1.88	2.50	3.88	0.19	2.91	1.00	1" NPSM	104
65-**8-12	3.00	3 1/4" X 4 1/4"	1.75	2.81	4.50	0.19	3.50	1.25	1 1/4" NPSM	158

\*\* = Specify "BF" For Bronze Fitting Only. Specify "BN" For Bronze Fitting With Nut.

\* = Weights are listed without nuts



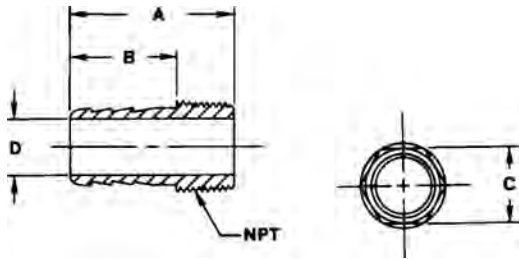
(Excludes 1/2", 3/4")

# MARINE VALVES AND FITTINGS

## Adapters

### PIPE TO HOSE ADAPTER

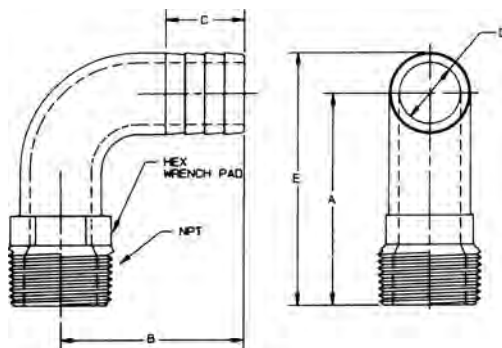
Features single-piece construction. Cast-in wrench flats make installation easier. 85-5-5-5 bronze.



Part Number	NPT Size	Hose I.D.	Dimensions (in.)				WT/100
			A	B	C	D	
65-007-56	1/2"	1/2" or 5/8"	2.58	1.63	0.87	0.40	18
65-007-51	3/4"	3/4"	1.93	1.00	0.87	0.51	23
65-007-52	1"	1"	2.25	1.13	1.12	0.80	34.8
65-007-53	1 1/4"	1 1/4"	2.69	1.44	1.37	1.03	61.2
65-007-54	1 1/2"	1 1/2"	2.63	1.44	1.62	1.28	81.8
65-007-55	2"	2"	2.88	1.63	2.12	1.75	130.5

### 90° PIPE TO HOSE ADAPTER

One-piece adapter simplifies right angle connections. Cast with wrench flats for easy installation; 85-5-5-5 bronze.



Part Number	NPT Size	Hose Size	Hex	Dimensions (in.)					WT/100
				A	B	C	D	E	
65-907-50	1/2"	1/2" and 5/8"	5/8"	1.75	1.91	1.28	0.28	2.08	35
65-907-51	3/4"	3/4"	7/8"	2.50	2.25	1.13	0.54	2.92	41
65-907-52	1"	1"	1 1/8"	2.72	2.35	1.00	0.80	3.24	67
65-907-53	1 1/4"	1 1/4"	1 3/8"	3.11	2.66	1.25	1.03	3.75	106
65-907-54	1 1/2"	1 1/2"	1 5/8"	3.44	3.11	1.25	1.28	4.20	130
65-907-55	2"	2"	2 1/8"	3.99	3.99	1.50	1.63	5.00	260

# MARINE VALVES AND FITTINGS

## OTHER APOLLO LITERATURE FOR YOUR SPECIFICATION LIBRARY



All Products Catalog



Ball Valve Catalog

## WARRANTY AND LIMITATIONS OF LIABILITY

Conbraco Industries, Inc. warrants, to its initial purchaser only, that its products which are delivered to this initial purchaser will be of the kind described in the order or price list and will be free of defects in workmanship or material for a period of FIVE years from the date of delivery to you, our initial purchaser. This warranty applies to Apollo brand product with "Made in the USA" markings only.

Should any failure to conform to this warranty appear within FIVE years after the date of the initial delivery to our initial purchaser, Conbraco will, upon written notification thereof and substantiation that the goods have been stored, installed, maintained and operated in accordance with Conbraco's recommendations and standard industry practice, correct such defects by suitable repair or replacement at Conbraco's own expense.

APOLLO INTERNATIONAL PRODUCTS: Conbraco Industries, Inc. warrants its International products, to its initial purchaser only, that its international products which are delivered to this initial purchaser will be of the kind described in the order or price list and will be free of defects in workmanship or material for a period of TWO years from the date of delivery to you, our initial purchaser.

THIS WARRANTY IS EXCLUSIVE AND IS IN LIEU OF ANY IMPLIED WARRANTY OF MERCHANTABILITY, FITNESS FOR A PARTICULAR PURPOSE OR OTHER WARRANTY OF QUALITY, WHETHER EXPRESSED OR IMPLIED, EXCEPT THE WARRANTY OF TITLE AND AGAINST PATENT INFRINGEMENT. Correction of non-conformities, in the manner and for the period of time provided above, shall constitute fulfillment of all liabilities of Conbraco to our initial purchaser, with respect to the goods, whether based on contract, negligence, strict tort or otherwise. It is the intention of Conbraco Industries, Inc. that no warranty of any kind, whether expressed or implied shall pass through our initial purchaser to any other person or corporation.

LIMITATION OF LIABILITY: Conbraco Industries, inc. SHALL NOT UNDER ANY CIRCUMSTANCES BE LIABLE FOR SPECIAL OR CONSEQUENTIAL DAMAGES SUCH AS, BUT NOT LIMITED TO, DAMAGES OR TO LOSS OF OTHER PROPERTY OR EQUIPMENT, LOSS OF PROFITS OR REVENUE, COST OF CAPITAL, COST OF PURCHASED OR REPLACEMENT GOODS, OR CLAIMS OF CUSTOMERS OF OUR INITIAL PURCHASER. THE REMEDIES OF OUR INITIAL PURCHASER, AND ALL OTHERS, SET FORTH HEREIN, ARE EXCLUSIVE, AND THE LIABILITY OF CONBRACO WITH RESPECT TO SAME SHALL NOT, EXCEPT AS EXPRESSLY PROVIDED HEREIN, EXCEED THE PRICE OF THE GOODS UPON WHICH SUCH LIABILITY IS BASED.

\* It is the end user's responsibility to confirm that items intended for use satisfy local codes and standards.

