

Product Specification

Features ■

- Provides true protection against pressure and temperature changes
- Controls mixed outlet temperature within 10°F (5.5°C) of hot water supply temperature
- Eliminates time and cost for seasonal limit stop adjustment
- Back-to back installation without costly cross-over piping
- Self-contained cartridge installs in minutes to simplify repair
- Opens in the cold water position to ensure maximum bather safety
- Precise temperature read out within 1/10th of a degree
- AAA alkaline battery for long life
- Affordably priced, comparable to common pressure balance valves
- ASSE 1016 Type T/P and IAPMO cUPC listed



Specifications ■

Valve Construction	Heavy cast bronze body and brass stem
Connections	1/2" Sweat inlets and outlets
Capacity	4.0 gpm (15.0 lpm) @ 45psi ΔP 50/50 mix
High Temperature Limit Stop	Adjustable (factory set at 110°F (43°C))
Maximum Operating Pressure	125psi (861 kPa)
Max. Hot Water Supply Temperature	190°F (88°C)
Minimum Hot Water Supply Temperature (Approach Temperature)	10°F (5.5°C) above set point
Temperature Adjustment Range (for +/- 3.6°F performance)	ASSE 1016 Type T/P 90 - 110°F (32 - 43°C) ASSE 1016 Type T 80 - 120°F (27 - 49°C)
Maximum Static Pressure	125psi (861 kPa)
Minimum Flow	1.0 gpm (3.78 lpm)
Temperature Display	1/2" (13 mm) LCD Display accurate to 1/10 of a degree
Temperature Range Display	-58 to 158° F (-50 to 70°C)
Battery	AAA alkaline
Approval Standards	CSA B125.1, ASSE 1016 T/P, ASME A112.18.1
Listing	ASSE 1016 T/P, IAPMO - cUPC

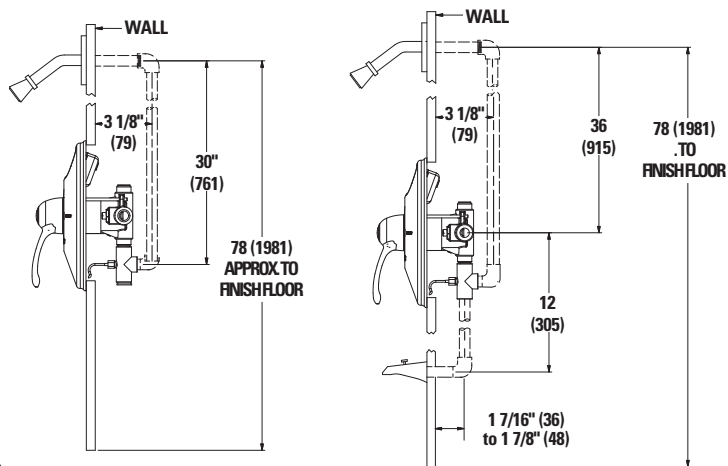
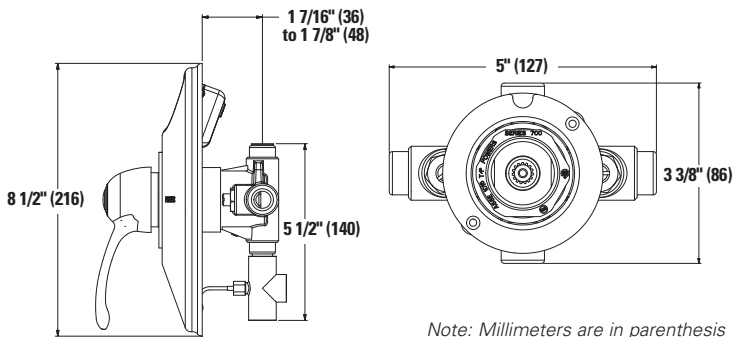


Advanced Thermal Activation

NOTICE

- 1) Set point cannot be less than the cold water temperature. For best operation, hot and cold water should be at least 10°F (5.5 C) from desired set point.
- 2) All F727 and C727 VisuGuard LCD T/P combination mixing valves meet above performance specifications based on a typical operating conditions as stated in ASSE 1016 standard.
- 3) If your operating conditions varies from the standard, performance may vary as well. Consult your sales representative or Powers' Technical Support @ 800.669.5430 to discuss your specific application.

Dimensions ■



Ordering Information ■

Temperature Display (factory set)

- Celsius
- Fahrenheit

Showerheads

- Economizer, Chrome-Plated ABS, Adjustable
- Standard, Chrome-Plated Brass
- Deluxe, Chrome-Plated Brass
- Low Flow (1.6 gpm), Chrome-Plated
- Low Flow (1.5 gpm), Chrome-Plated

Arm & Flange Kits

- Standard Arm & Flange
- Deluxe Arm & Flange
- Standard Arm/Flange & High Temp. Shutoff
- Deluxe Arm/Flange & High Temp. Shutoff

Tub Spout

- Diverter, Chrome-Plated Brass, 3/4" IPS
- Non-Diverter, Chrome-Plated, 1/2" IPS"
- Diverter, Chrome-Plated Brass, 1/2" IPS"
- Diverter, Chrome-Plated Brass, 1/2" IPS"
- Diverter, Chrome-Plated, 1/2" Slip-fit

Hand Shower System

- 24" Chrome ADA Wall Grab Bar System
- 36" Chrome ADA Wall Grab Bar System
- Deluxe, Metal Hose, 30" Glide Rail
- Professional, Vinyl Hose, 30" Glide Rail
- Standard, Metal Hose, 2 Wall Hooks
- Standard, Metal Hose, 24" Glide Rail
- Professional, Vinyl Hose, 24" Glide Rail
- Standard Plus, Metal Hose, 24" Glide Rail
- European, Metal Hose, 23" Glide Rail
- Massage, Metal Hose, 30" Glide Rail
- Professional, Metal Hose, 30" Glide Rail

Diverter

- Diverter, Concealed, Metal Handle, 1/2" Solder
- Diverter, Concealed, Deluxe ABS Handle, 1/2" Solder
- Diverter, Concealed, Deluxe Metal Handle, 1/2" Solder
- Exposed Diverter, Shower Arm-Type

Vacuum Breakers

- Vacuum Breaker, Elevated, Chrome-Plated
- Vacuum Breaker, In-Line

Order Code

		7	2	7					
C									
F									
J									
K									
M									
G									
H									
1									
2									
4									
5									
Q									
R									
S									
T									
U									
1									
2									
3									
4									
5									
6									
7									
8									
9									
L									
N									
Y									
A									
B									
Z									
V									
W									



A Watts Water Technologies Company

ENGINEERING APPROVAL

Project: _____

Contractor: _____

Architect/Engineer: _____

