

# HydroPanel II™



## S U R F A C E   M O U N T   S H O W E R   S Y S T E M S

## HYDRO PANEL II SHOWER SYSTEMS



**SERIES 410**

Contains concealed pressure-balancing mixing valve. For heavy duty usage.

**MODEL NUMBER 450-0420**



**SERIES e420**

Contains concealed combination T/P mixing valve. For heavy duty usage.

**MODEL NUMBER 450-4200**

*See back page for complete product listings.*



**SERIES e700**

Contains concealed combination T/P mixing valve. For normal usage.

**MODEL NUMBER 450-7100**



**SERIES 900**

Contains concealed pressure-balancing mixing valve. For normal usage.

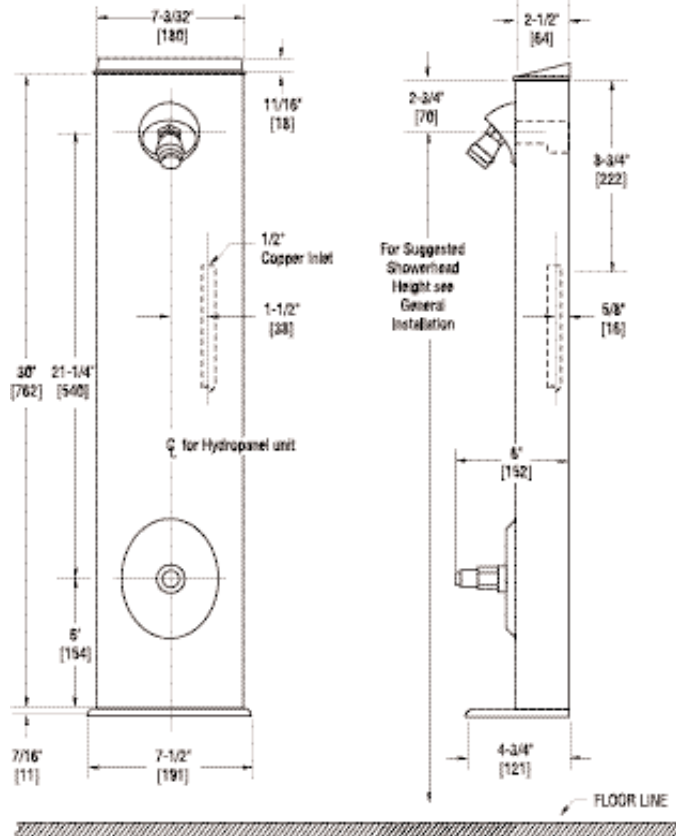
**MODEL NUMBER 450-4002**

**THE DIAGRAM OF MODULARITY**

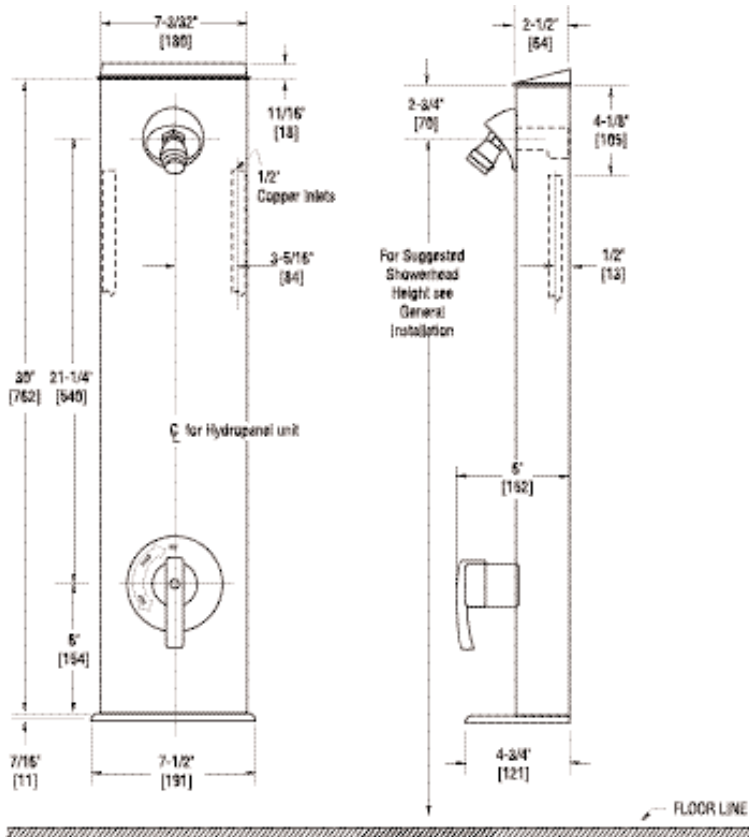
Supply piping can be concealed, whether vertically above the Hydropanel II or horizontally in either direction.

Hydropanel II systems allow you to easily fit any shower room without the expense or inconvenience of custom shrouds.

# HYDROPANEL II. MODULAR. DURABLE.



**MODEL NUMBER 450-4000M**



**MODEL NUMBER 450-4000**

Where in-wall piping does not exist or is impractical, specify Hydropanel II concealed shower systems. Designed for complete shower room or single shower installations, the Hydropanel II is an attractive, single unit stainless steel shower system.



**MODEL NUMBER 450-4103**

Fixed-position (shown below) and ball-joint swivel showerheads are available. Both are vandal resistant and feature adjustable spray patterns.

Handheld showers are also available and include a 18" (457mm) sidebar for flexible positioning. Handheld showers meet ADA requirements.



## HYDROGUARD ESP ELECTRONIC SENSOR

Available in infrared and electronic soft touch models, ESP Hydropanel II shower systems combine Hydropanel II convenience with electronic sensor plumbing. Both infrared and soft touch models arrive with the sensor assembly pre-mounted and solenoid pre-piped in the panel, so special openings are unnecessary in shower area walls.



ADA Compliant.

**Infrared** ESP Hydropanel II shower systems rely on infrared technology to sense the presence of a user and to immediately turn on a water supply. The shower automatically shuts off when the bather steps out of the invisible beam of infrared light or when the maximum run time is reached.

**Soft Touch** ESP Piezo Hydropanel II shower systems also rely on sensor technology — but in a slightly different way. Hydroguard ESP Piezo showers are *not mechanical*. The soft touch merely activates a proximity sensor, which sends an electronic pulse to the solenoid valve signalling it to open (or close), allowing tempered water to flow to the showerhead. Once the shower is activated, it can run its full timed cycle, or the soft touch can be depressed again to shut off the shower. Programming locks repeat cycling to prevent the damaging effects of water hammer. Piezo soft touch showers can be used with individual control boxes or the group control box, which allows centralized control of up to 8 showers and customization of timing.



**INFRARED SENSOR**

With a pre-mounted infrared sensor assembly and pre-piped solenoid, the ESP infrared Hydropanel II offers true “touchless” operation for years of trouble-free operation. All Hydroguard ESP Piezo Shower Systems comply with ADA requirements.

**MODEL NUMBER 450-5000**



**SOFT TOUCH PROXIMITY**

With a pre-mounted ESP Piezo soft touch sensor and pre-piped solenoid, the ESP Piezo Hydropanel II ensures years of trouble-free operation. Piezo soft touch showers are also available with a handshower and glide bar option.

**MODEL NUMBER 450-5100**

Dirt and water slide off chrome-plated, tilted end cap.

Single unit stainless steel panel with easy-to-access, prefabricated shower system components.

Concealed mixing valves: pressure-balancing, thermostatic, metering, and solenoid valves

Single handle lever control meets ADA requirements†.



Optional stainless steel soap dish.



MODEL NUMBER 450-4002

Vandal-resistant fasteners.

Adjustable showerhead — fixed or ball-joint swivel (pictured) or handshower.

Concealed copper piping.

Valve face plate with color indication\*.

\* Not applicable for ESP infrared or Piezo models  
 † Infrared, Piezo, 410, e420 and e700 series models also meet ADA requirements.

*Special Hydropanel II shower systems are built and priced upon application.*

When we designed our Hydropanel II concealed shower systems for areas where in-wall piping does not exist, we created them with this paradox in mind: Every shower room is different, every shower room is the same.

**Modularity.** Each shower room has different requirements, and that's the reason for Hydropanel II's modular design. With so many options in stock, it's as if you can design a custom Hydropanel II. The modularity of the Hydropanel II allows it to conceal all vertical and horizontal piping no matter the configuration or the spacing between shower panels. Modular components include: • Shower panel end cap with removable piping passage

**HYDROPANEL II  
 SHOWER SYSTEMS  
 THINK POWERS  
 FOR SHOWERS.**

- Interlocking shroud extensions in a variety of sizes
- Shrouding that installs vertically or horizontally.

**ADA Compliance.** Hydroguard ESP showers and faucets are designed to comply with the accessibility requirements of the Americans with Disabilities Act — for both retrofit and new construction.

**Durability.** Every institutional shower room in existence requires durable shower systems. With stainless steel shrouds, vandal-resistant fasteners, and commercial grade mixing valves, Powers Hydropanel II stands up to the tough punishment dealt out in schools, factories, healthcare facilities, healthclubs, and older, remodeled buildings.

**Convenience.** Every shower room demands systems that are easy to install, service, and clean. The Hydropanel II's pre-piped panel installs quickly with just three screws. Adaptors and shroud extensions are modular for fast installation and servicing. Our exclusive mixing valve options resist lime and dirt to minimize maintenance. And the streamlined panel design is easier to clean — and keep clean.

## ORDERING INFORMATION

All components of Hydropanel II are backed by a limited warranty against product defects.

### HYDROPANEL II with HydroGuard® 410 Pressure Balancing Valves with Metal Lever Handle

MODEL	DESCRIPTION
450 0416	Fixed showerhead & soap dish
450 0417	Fixed showerhead, less soap dish
450 0418	Swivel showerhead & soap dish
450 0419	Swivel showerhead, less soap dish
450 0420	Hand shower & soap dish
450 0421	Hand shower, less soap dish

### HYDROPANEL II with HydroGuard® e420 Combination T/P Mixing Valves with Metal Lever Handle

MODEL	DESCRIPTION
450 4210	Fixed showerhead & soap dish
450 4211	Fixed showerhead, less soap dish
450 4212	Swivel showerhead & soap dish
450 4213	Swivel showerhead, less soap dish
450 4214	Hand shower & soap dish
450 4215	Hand shower, less soap dish

### HYDROPANEL II with Biltmore 900 Pressure Balancing Valves with Metal Lever Handle

MODEL	DESCRIPTION
450 4000	Fixed showerhead & soap dish
450 4001	Fixed showerhead, less soap dish
450 4002	Swivel showerhead & soap dish
450 4003	Swivel showerhead, less soap dish
450 4004	Professional hand shower, slide bar & soap dish
450 4005	Professional hand shower, slide bar, less soap dish
450 4006	Deluxe hand shower, slide bar & soap dish
<b>OPTION:</b>	
<b>SUFFIX M</b>	Metering Valve (replaces pressure balancing valve)
<b>SUFFIX MP</b>	Metering Valve with pressure balancing valve

### HYDROPANEL II with Series e700 Combination T/P Mixing Valves

MODEL	MODEL	DESCRIPTION
450 7050	450 7100	Fixed showerhead & soap dish
450 7051	450 7101	Fixed showerhead, less soap dish
450 7052	450 7102	Swivel showerhead & soap dish
450 7053	450 7103	Swivel showerhead, less soap dish
450 7054	450 7104	Professional hand shower, slide bar & soap dish
450 7055	450 7105	Professional hand shower, slide bar, less soap dish
450 7056	450 7106	Deluxe hand shower, slide bar & soap dish
450 7057	450 7107	Deluxe hand shower, slide bar & less soap dish
450 7058	450 7108	Professional hand shower, slide bar, fixed showerhead & soap dish
450 7059	450 7109	Professional hand shower, slide bar, swivel showerhead & soap dish
<b>WITH ABS HANDLE</b>	<b>WITH METAL HANDLE</b>	

### HYDROPANEL II ESP Sensor & Piezo Showers

MODEL	DESCRIPTION
450 100IC03LD	Infrared sensor, standard solenoid, rigid showerhead, individual control and less soap dish
450 200IC03LD	Piezo sensor, standard solenoid, rigid showerhead, individual control
450 200IC08LD	Piezo proximity sensor, standard solenoid, Standard hand shower, individual control
450 200IC06LD	Piezo proximity sensor, standard solenoid, Deluxe hand shower, individual control

ESP HYDROPANEL shower systems can be specified in numerous product feature combinations. Please refer to price list CPL for a complete listing.

**SPECIAL HYDROPANEL II SHOWER SYSTEMS ARE BUILT AND PRICED UPON APPLICATION.**

### HYDROPANEL II Modular Shrouding System

MODEL	DESCRIPTION
450 4040	Horizontal adaptor kit, 16"
450 4041	Horizontal adaptor kit, 24"
450 4042	Horizontal adaptor kit, 48"
450 4043	Overlay shroud kit, 8"
450 4044	Overlay shroud kit, 13"
450 4045	Overlay shroud kit, 16"
450 4046	Overlay shroud kit, 18"
450 4047	Overlay shroud kit, 23"
450 4048	Overlay shroud kit, 28"
450 4050	Extension shroud kit, 6"
450 4051	Extension shroud kit, 24"
450 4049	Corner shroud kit, 10"
450 4015	Corner end cap
450 4011	End cap kit

### HYDROPANEL II

Accessible Systems with Diverter

MODEL	DESCRIPTION
450 4103	HYDROPANEL II with fixed showerhead, hand shower, diverter, 900 Series PE valve
450 4104	HYDROPANEL II with fixed showerhead, hand shower, diverter, 410 Series PE valve
450 4105	HYDROPANEL II with fixed showerhead, hand shower, diverter, e420 Series combination T/P mixing valve