

Specifications

Size 1/2" & 3/4" Threaded
Temperature Range Water, Air: to 180°F Max.
Materials

Body & Cover: Cast Bronze ASTM B62
 Cast Aluminum 356-T6
 Stainless Steel ASTM A743-CF-16Fa
 Trim: Brass & Stainless Steel 303
 Rubber: Buna-N® Synthetic Rubber

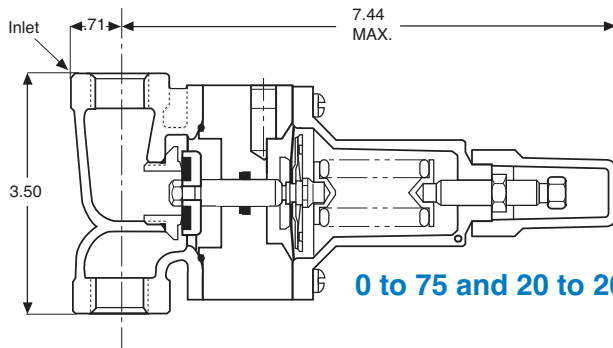
Pressure Ratings Cast Bronze 400 psi Max.
 Cast Aluminum 275 psi Max.
 Stainless steel 400 psi Max.
Other Materials Available on special order
Adjustment Ranges 0 to 75 psi
 20 to 105 psi
 20 to 200 psi
 100 to 300 psi
 250 to 600 psi (see E-CRL-18 sheet)

CRL & 55F Range PSI	Approximate Increase For Each Clockwise Turn Of Adjusting Screw
0 to 75	8.5 psi
20 to 105	12.0 psi
20 to 200	28.0 psi
100 to 300	18.0 psi

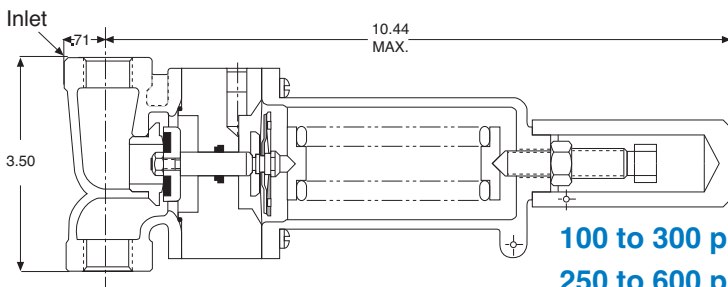
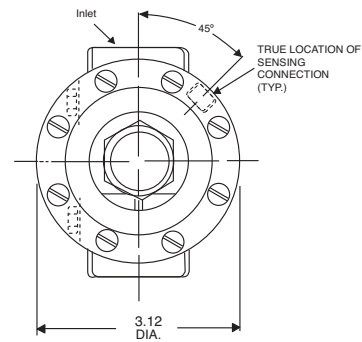
Pressure Drop Chart (Full Open Valve)

Valve Size	C _v Factor	Flow of Water - gpm				
		5	10	15	20	30
1/2"	6	0.7	2.7	6	11	----
3/4"	8.5	0.3	1.4	3.1	5.5	12.2

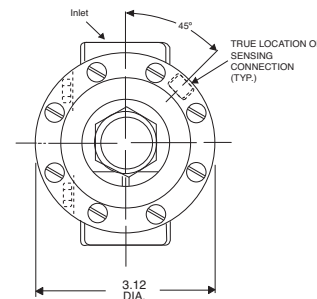
CRL Basic Valve Dimensions (In Inches)



0 to 75 and 20 to 200 psi Design



100 to 300 psi Design
 250 to 600 psi Design



OPTIONAL X140 SECURITY CAP



- Controlled Security for Pilot Control Adjustment
- Long Life Stainless Steel Construction
- Tamper-Resistant Design
- X140-1 Key and Six Pin Cylinder Lock Supplied

When Ordering, Please Specify

1. Catalog No. CRL & 55F
2. Valve Size
3. Adjustment Range Desired
4. Optional Materials
5. Optional Security Cap



CLA-VAL

Distributed By:
 M&M Control Service, Inc.
 Phone: 800-876-0036
 Fax: 847-356-0747
 Email: sales@mmcontrol.com

Represented By: