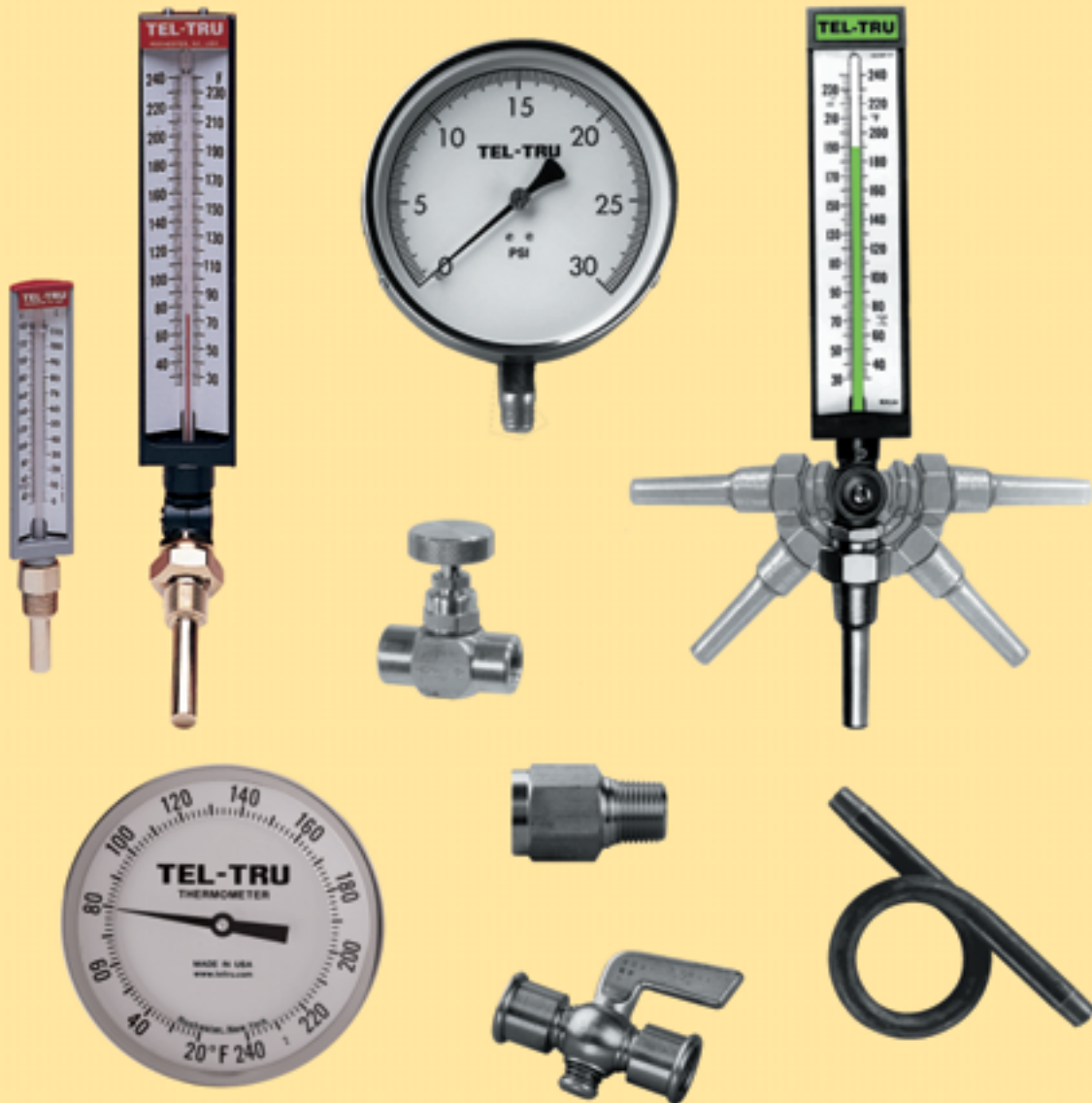




# TEL-TRU MANUFACTURING COMPANY HVAC INSTRUMENTS

*Temperature and Pressure Measurement for HVAC  
Applications and Mechanical Contractors*



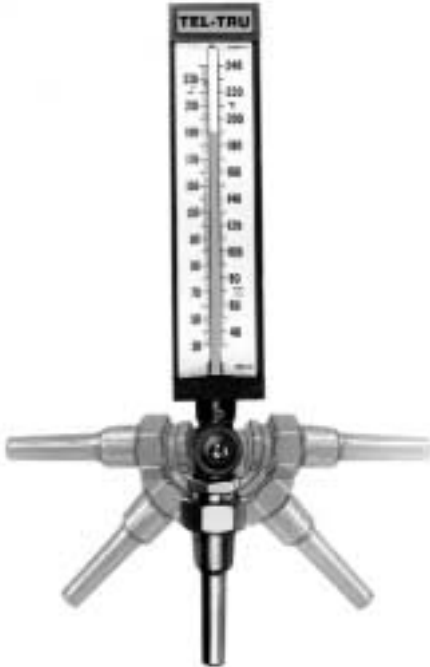
*World-Class Thermometers*

*Since  
1916*

[www.teltru.com](http://www.teltru.com)

# ADJUSTABLE ANGLE THERMOMETERS

Commercial grade units available with 9" aluminum or plastic cases, spirit or Eco-Green fill options and 3½" or 6" stems. Unit can be adjusted for easy reading at any angle.



## SPECIFICATIONS

- Case:** 9" black case either Cycolac plastic or die cast aluminum.
- Lens:** Heavy duty protective glass.
- Tube:** Eco-Green or spirit fill.
- Scale:** Easy-to-read bold black print on white V-shaped aluminum scale.
- Accuracy:** ±1 scale division.
- Stem:** Stem and socket are aluminum with a brass thermowell connection. Stem is tapered to fit a matched taper in the thermowell, giving metal to metal contact and maximum sensitivity.
- Connection:** 1¼" - 18 UNEF2A threaded brass coupling nut connection to fit thermowell.
- Adjustment:** Thermometer can be rotated 180° quickly and easily simply by adjusting two screws.

**NOTE:** Eco-Green fill is a non-toxic, environmentally friendly, green heat-transferring medium.

## ADJUSTABLE ANGLE DIMENSIONS

Scale Z	X	W	T	Y
9"	11 <sup>21</sup> / <sub>32</sub> "	2 <sup>3</sup> / <sub>8</sub> "	2 <sup>9</sup> / <sub>32</sub> "	1 <sup>3</sup> / <sub>4</sub> "

## OPTIONS

- Other configuration combinations available upon request.
- Plastic lens.

## IMPORTANT NOTE

- Plastic case should not be subjected to ambient temperatures greater than 200°F (93°C).

## CYCOLAC PLASTIC CASE PART NUMBERS

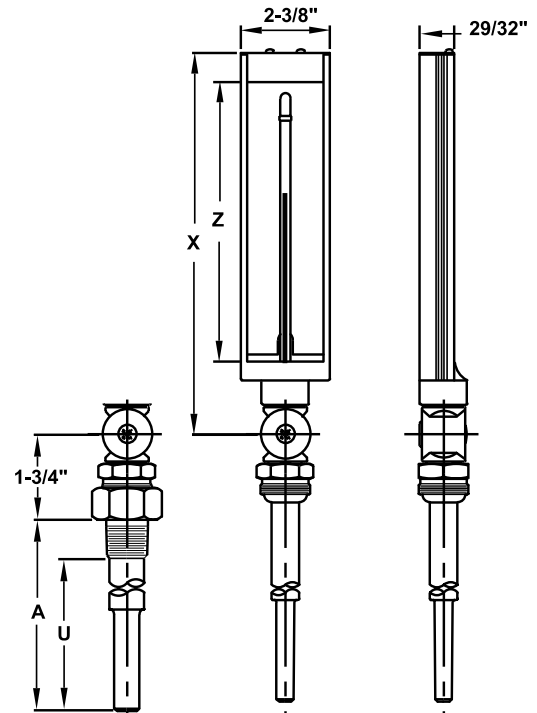
A-Stem	U-Insert.	Eco-Green	Spirit
3½"	2½"	81203XXG	81203XX1
6"	5"	81206XXG	81206XX1

## ALUMINUM CASE PART NUMBERS

A-Stem	U-Insert.	Eco-Green	Spirit
3½"	2½"	91203XXG	91203XX1
6"	5"	91206XXG	91206XX1

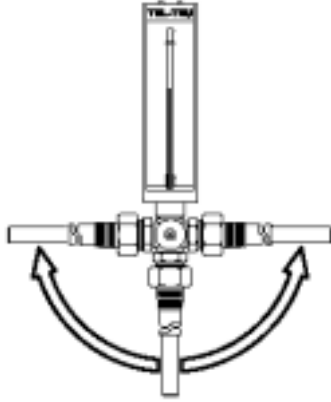
XX=Temperature Range Code

(see page 3 for standard temperature ranges)





Tel-Tru Manufacturing Company  
 408 St. Paul Street, Rochester, New York 14605 USA  
 Phone: 585-232-1440 • 800-232-5335 • Fax: 585-232-3857 • E-mail: info@teltru.com • Web: www.teltru.com



**Eco-Green Fill  
Adjustable Angle  
Thermometer**

*An Environmentally  
Safe Alternative to  
Mercury!*

ECO-GREEN FILL STANDARD RANGES					
Fahrenheit	°/Div.	Code	Celsius	°/Div.	Code
0 to 120°F	1°	<b>06</b>	-15 to 50°C	½°	<b>47</b>
0 to 160°F	2°	<b>19</b>	-15 to 70°C	1°	<b>48</b>
20 to 180°F	2°	<b>08</b>	0 to 115°C	1°	<b>34</b>
30 to 240°F	2°	<b>22</b>	0 to 150°C	1°	<b>35</b>
30 to 300°F	2°	<b>23</b>			
50 to 400°F	5°	<b>24</b>			

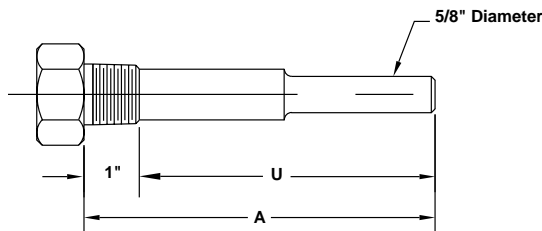
ECO-GREEN DUAL SCALE RANGES			
Fahrenheit and Celsius	°/Div.	Code	
0 to 120°F -17 to 49°C	1°/½°	<b>26</b>	
0 to 160°F -17 to 71°C	2°/1°	<b>28</b>	
20 to 180°F -6 to 82°C	2°/1°	<b>29</b>	
30 to 240°F 0 to 114°C	2°/1°	<b>30</b>	
30 to 300°F -1 to 149°C	2°/1°	<b>36</b>	

SPIRIT FILL STANDARD RANGES					
Fahrenheit	°/Div.	Code	Celsius	°/Div.	Code
-40 to 110°F	2°	<b>16</b>	-40 to 40°C	1°	<b>32</b>
0 to 120°F	1°	<b>06</b>	-15 to 50°C	½°	<b>47</b>
0 to 160°F	2°	<b>19</b>	-15 to 70°C	1°	<b>48</b>
20 to 180°F	2°	<b>08</b>	0 to 115°C	1°	<b>34</b>
30 to 240°F	2°	<b>22</b>	0 to 150°C	1°	<b>35</b>
30 to 300°F	2°	<b>23</b>			

SPIRIT FILL DUAL SCALE RANGES			
Fahrenheit and Celsius	°/Div.	Code	
-40 to 110°F -40 to 43°C	2°/1°	<b>20</b>	
0 to 120°F -17 to 49°C	1°/½°	<b>26</b>	
0 to 160°F -17 to 71°C	2°/1°	<b>28</b>	
20 to 180°F -6 to 82°C	2°/1°	<b>29</b>	
30 to 240°F 0 to 114°C	2°/1°	<b>30</b>	
30 to 300°F -1 to 149°C	2°/1°	<b>36</b>	

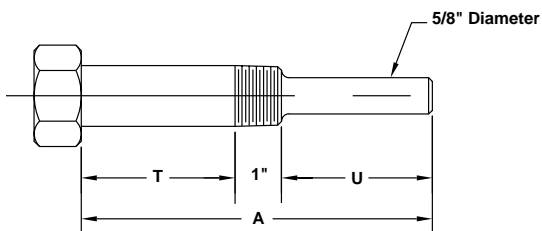
► THERMOWELLS

**STANDARD THERMOWELL**



STANDARD THERMOWELL PART NUMBERS					
A-Stem	U-Insert.	NPT	Brass	304SS	316SS
3½"	2½"	¾"	<b>GW001201</b>	<b>GW001203</b>	<b>GW001204</b>
6"	5"	¾"	<b>GW002201</b>	<b>GW002203</b>	<b>GW002204</b>

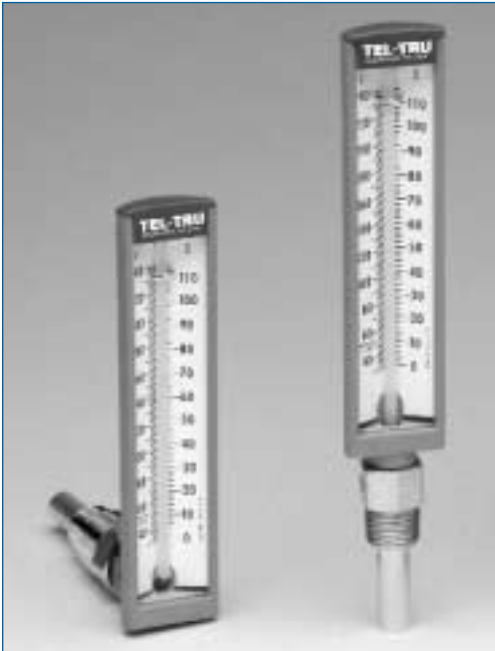
**LAGGING EXTENSION THERMOWELL**



LAGGING EXTENSION THERMOWELL PART NUMBERS						
A- Stem	T- Exten.	U- Insert.	NPT	Brass	304SS	316SS
3½"	1"	1½"	¾"	<b>GWE01201</b>	<b>GWE01203</b>	<b>GWE01204</b>
6"	2½"	2½"	¾"	<b>GWE02201</b>	<b>GWE02203</b>	<b>GWE02204</b>

# 6" SUBMARINE and ECONOMY THERMOMETERS

*Designed for diesel engines, compressors, brine lines and all small piping networks. It is especially adaptable to equipment operating under continuous vibrating conditions.*



## SPECIFICATIONS

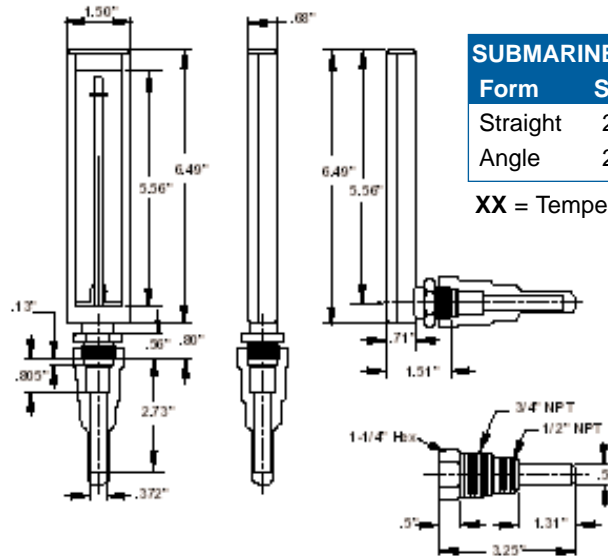
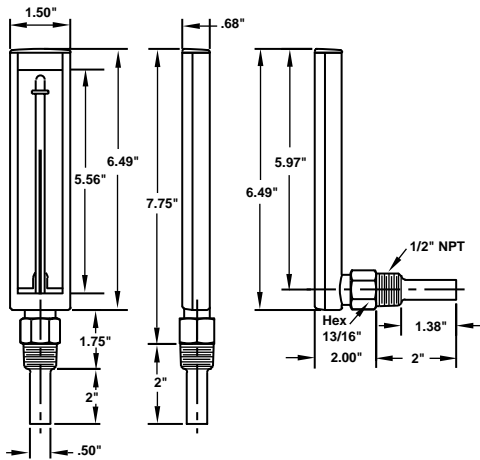
- Case: 6" scale V-shaped gray Valox® case.  
 Lens: *Submarine:* Heavy duty protective glass.  
*Economy:* No Lens (available as option).  
 Tube: Red spirit.  
 Scale: Black print on white V-shaped aluminum scale.  
 Accuracy: ±1½ scale division.  
 Stem and Well: Standard fittings of all brass construction. *Submarine* models standard dual threaded for ½" and ¾" NPT. *Economy* models standard ½" NPT brass socket.

## OPTIONS

- Other configuration combinations available upon request.

## SUBMARINE DIMENSIONS

## ECONOMY DIMENSIONS



### SUBMARINE PART NUMBERS

Form	Stem	6" Scale
Straight	2¾"	<b>73423XX</b>
Angle	2¾"	<b>74423XX</b>

XX = Temperature Range Code

ECONOMY PART NUMBERS		
Form	Stem	6" Scale
Straight	2"	<b>7340254</b>
Angle	2"	<b>7440254</b>

ECONOMY STANDARD RANGES	
Dual Scale °F/°C	Code
40 to 260°F/5 to 125°C	<b>54</b>

SUBMARINE STANDARD TEMPERATURE RANGES		
Dual Scale °F/°C	°/Div.	Code
50 to 400°F/10 to 205°C	5°/2°	<b>64</b>
-40 to 110°F/-40 to 40°C	2°/2°	<b>56</b>
20 to 180°F/-6 to 82°C	2°/2°	<b>29</b>
30 to 240°F/0 to 114°C	2°/2°	<b>30</b>



Tel-Tru Manufacturing Company  
 408 St. Paul Street, Rochester, New York 14605 USA  
 Phone: 585-232-1440 • 800-232-5335 • Fax: 585-232-3857 • E-mail: info@teltru.com • Web: www.teltru.com

## MECHANICAL CONTRACTOR PRESSURE GAUGE

*A utility gauge used with any liquid or gas not corrosive to bronze. Typically used for HVAC applications.*



### ► MODEL 52B SPECIFICATIONS:

Dial Size: 4½"  
 Accuracy: ±1% FS - ANSI Grade 1A  
 Bourdon Tube: Brass  
 Movement: Brass  
 Socket: Brass  
 Lens: Acrylic  
 Pointer: Aluminum, Adjustable  
 Dial: Heavy Gage Aluminum  
 Connection: ¼" NPT Lower Only  
 Restrictor: Standard  
 Case: Stainless Steel (dry only)  
 Range: 30-0-60 up to 0-600  
 Scales: psi  
 Part Number: 4552BS4L1XXX  
 (XXX=Pressure Range Code)

STANDARD PRESSURE RANGES		
CODE = RANGE (psi)	Intervals (psi)	Div. (psi)
Z2A = 30-0-30	5	1
Z3A = 30-0-60	10	2
B7A = 0-15	1	.25
C6A = 0-30	5	.5
D6A = 0-60	10	1
D9A = 0-100	20	2
E4A = 0-160	20	2
E5A = 0-200	20	2
E8A = 0-300	50	5
F2A = 0-400	50	5
F4A = 0-600	100	10

## PRESSURE GAUGES

*Tel-Tru has a variety of pressure gauge models, configurations and options available.*



### ► MODELS

- Model 10** ½% Process, Solid Front, Blowout Back
- Model 30** 1% Stainless Steel Dry or Liquid Filled
- Model 31** 1% Solid Front, Blowout Back
- Model 32S** 1½% Stainless Steel Dry or Liquid Filled
- Model 33** Economy Dry or Liquid Filled
- Model 37** 1½% Low Pressure 4"
- Model 42** ¼% Test
- Model 50B** Metal Case Utility
- Model 51B** Plastic Case Utility
- Model 52B** 4½" Mechanical Contractor
- Model 55B** 2½" Low Pressure Diaphragm Utility

### ► DIAPHRAGM SEALS

- Threaded, Flanged, Welded
- Mini Seals
- Sanitary

### ► ACCESSORIES

- Porous Metal Pressure Snubbers
- Piston Type Pressure Snubbers
- Siphons
- Needle Valves
- Gauge Cocks

**NOTE:** For more information on our Pressure Gauges, please see our Pressure Gauge brochure or visit our website at [www.teltru.com](http://www.teltru.com)

## HVAC ACCESSORY PRODUCTS

### ▶ MINI NEEDLE VALVES

*Designed to provide shutoff of liquids or gases.*



**Part Number TBV4**

- Rated up to 600 PSI @ 300°F
- Brass ¼" NPT FxF

### ▶ STEAM GAUGE SIPHONS

*Protect your instruments from high temperatures. Designed to cool medium before entering pressure gauge.*



**Part Number 21AS**

- ¼" Type Schedule 40 welded, material - Steel A120
- Other models available

### ▶ BRASS GAUGE COCKS

*Used in conjunction with siphon as an isolation valve.*



**Part Number GC38**

- Tee Handle - ¼" NPT FxF
- **NOT** recommended for pressure **OVER** 100 psi
- Other models available

### ▶ POROUS BRASS SNUBBERS

*A Simple, Cost Effective Solution To Protect Valuable Control Instruments...*



**Part Number PM22-E** - for light oil and water

**Part Number PM22-G** - for air, steam and gas

- ¼" NPT FxM
- Other models available

**NOTE:**

For more information on our Pressure Gauges, please see our Pressure Gauge brochure or visit our website at [www.teltru.com](http://www.teltru.com)



Tel-Tru Manufacturing Company  
 408 St. Paul Street, Rochester, New York 14605 USA  
 Phone: 585-232-1440 • 800-232-5335 • Fax: 585-232-3857 • E-mail: info@teltru.com • Web: www.teltru.com

## TEL-TRU BIMETAL THERMOMETERS and ACCESSORIES

*World-Class Thermometers*

*We manufacture thermometers - but we sell service, reliability, product quality, and performance.*



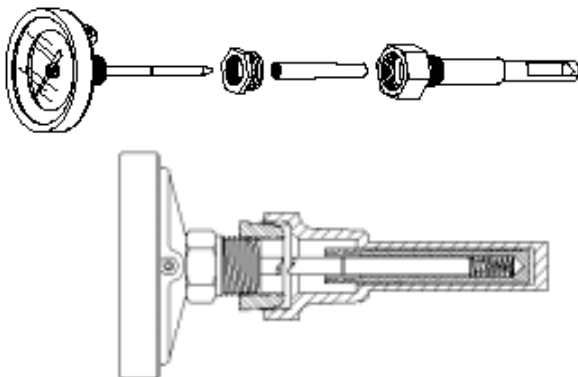
### ► BIMETAL THERMOMETERS

- **Adjustable Angle Thermometers 3", 4" and 5"**  
Heavy duty design, with versatile case and stem that can be adjusted to almost any angle for easy viewing.
- **Back Connected Thermometers 3", 4" and 5"**  
A rugged 90° back angle, rear threaded connection design.
- **Bottom Connected Thermometers 3", 4" and 5"**  
A sturdy straight form design commonly used for industrial applications and OEM equipment.
- **Back Connected Thermometers 2"**  
A smaller size, heavy duty, rear connected unit.
- **Laboratory & General Purpose Thermometers 1¾", 2" and 3"**  
These models are used for general purpose testing applications such as laboratory, food, concrete, asphalt, soil, photography and OEM equipment.
- **Testing and Spot Checking Thermometers 1" and 1½"**  
A pocket sized thermometer used by inspectors, service and maintenance personnel, and technicians for general checking in food service and processing, refrigeration, air conditioning and hot asphalt applications.

### ► THERMOWELL ADAPTER KIT

The AS-86 adapter kit was designed as a simple means of converting existing Industrial Glass Thermometer Wells for use with Bimetal Thermometers.

#### HOW IT WORKS:



### ► OPTIONS AND ACCESSORIES

- Connections, Fittings, Lenses, Dials, Tagging and Mounting Flanges
- Thermowell Adapter kit
- Other configurations available

### ► THERMOWELLS

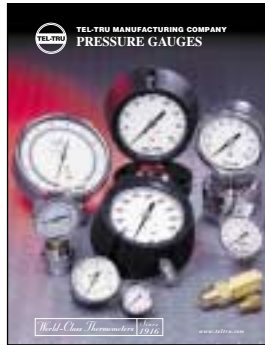
- Threaded, Flanged, Welded, Van Stone and Sanitary

**NOTE:** For more information on our Bimetal Thermometers please see brochure #BT1100 or visit our website at [www.teltru.com](http://www.teltru.com)

# ADDITIONAL PRODUCTS AVAILABLE FROM TEL-TRU



*Bimetal Thermometers*  
Catalog number BT1100



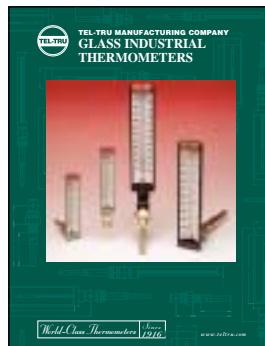
*Pressure Gauges*  
Catalog number PG900



*Gas Actuated Thermometers*  
Catalog number 9150



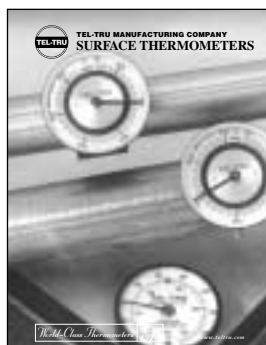
*Vapor Tension Thermometers*  
Catalog number 8549



*Glass Industrial*  
Catalog number GI0702



*Thermowells*  
Catalog number TW1100



*Surface Thermometers*  
Catalog number 9302



*Check-Temp Calibrators*  
Catalog number CTC401



*Tel-Fast Non-Contact Thermometers*  
Catalog number TF102



Tel-Tru Manufacturing Company  
408 St. Paul Street, Rochester, New York 14605 USA  
Phone: 585-232-1440 • 800-232-5335 • Fax: 585-232-3857 • E-mail: info@teltru.com • Web: www.teltru.com

Catalog HVAC0602