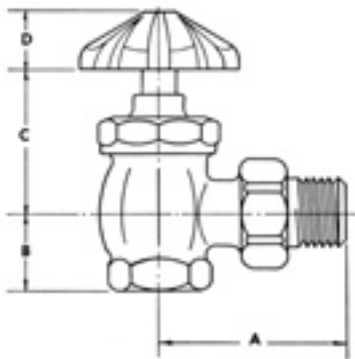


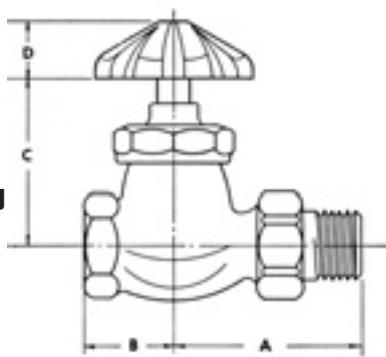
PART	DESCRIPTION
1	Wheel Handle
2	Valve Stem
3	Valve Bonnet
4	Metallflex Sealing Discs
5	Union Nut
6	Tailpiece
7	Stem Collar
8	Sealing Disc Support
9	Thrust Nut
10	Thrust Screw
11	Disc Holder
12	Composition Disc
13	Valve Body
14	Valve Seat

Marsh R-100 Series Patterns And Dimensions

**R-100
Angle**



**R-101
Globe
Straightaway**



R-100A — Angle Pattern

Size	A	B	C	D
1/2"	2 3/8"	1 3/16"	2 3/16"	7/8"
3/4"	2 7/8"	1 3/16"	2 3/16"	7/8"
1"	3 1/8"	1 1/2"	2 5/16"	1"
1 1/4"	3 1/2"	1 3/4"	2 5/8"	1"
1 1/2"	3 7/8"	1 15/16"	2 13/16"	1 1/8"
2"	4 3/8"	2 3/8"	3 1/4"	1 1/8"

R-100G — Straightaway Pattern

Size	A	B	C	D
1/2"	2 3/8"	1 3/8"	2 11/16"	7/8"
3/4"	2 7/8"	1 3/8"	2 13/16"	7/8"
1"	3 1/8"	1 11/16"	3 1/16"	1"
1 1/4"	3 5/8"	2"	3 9/16"	1"
1 1/2"	3 7/8"	2 3/8"	3 7/8"	1 1/8"
2"	4 3/8"	2 3/4"	4 1/2"	1 1/8"

R-105A — Angle Pattern

Size	A	B	C	D
1/2"	2 3/8"	1 3/16"	2 3/16"	7/8"
3/4"	2 7/8"	1 3/16"	2 3/16"	7/8"
1"	3 1/8"	1 1/2"	2 5/16"	1"
1 1/4"	3 1/2"	1 3/4"	2 5/8"	1"
1 1/2"	3 7/8"	1 15/16"	2 13/16"	1 1/8"

R-105G — Straightaway Pattern

Size	A	B	C	D
1/2"	2 3/8"	1 3/8"	2 11/16"	7/8"
3/4"	2 7/8"	1 3/8"	2 13/16"	7/8"
1"	3 1/8"	1 11/16"	3 1/16"	1"
1 1/4"	3 5/8"	2"	3 9/16"	1"
1 1/2"	3 7/8"	2 3/8"	3 7/8"	1 1/8"

Please specify size and pattern when ordering. Contact Marsh for special engineering or further product information or requests.