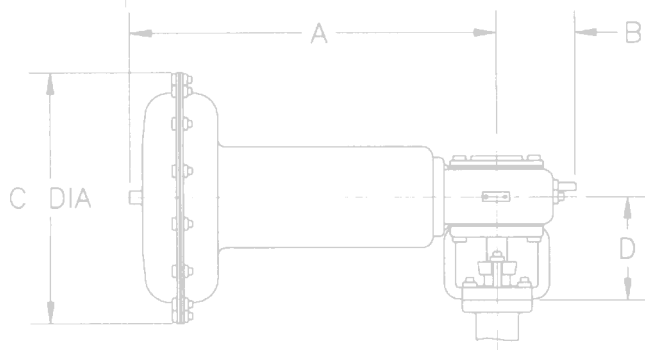
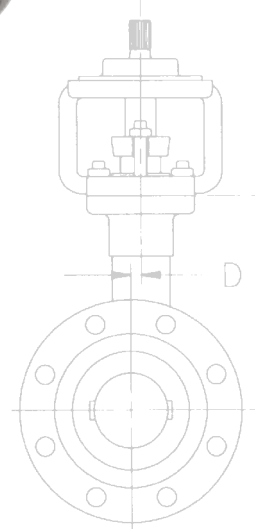
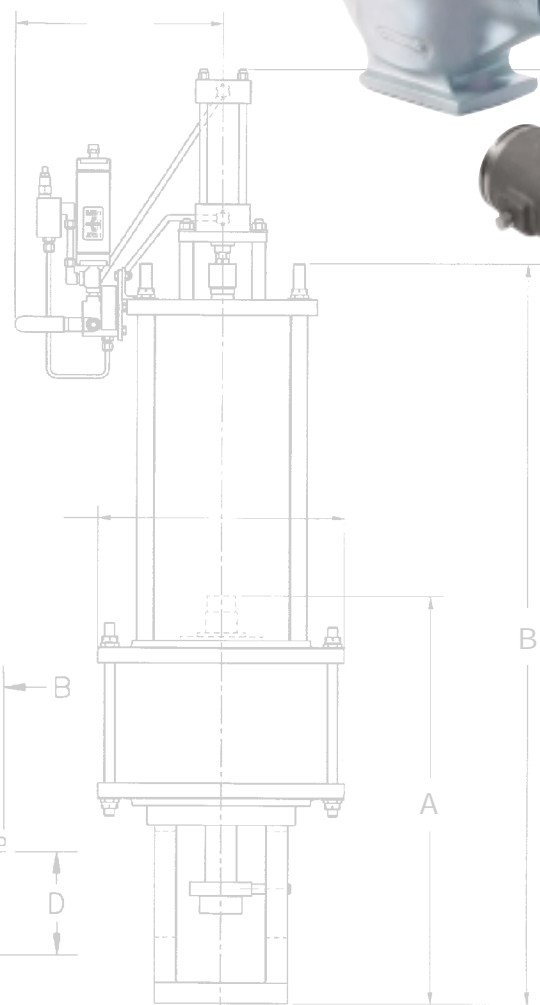
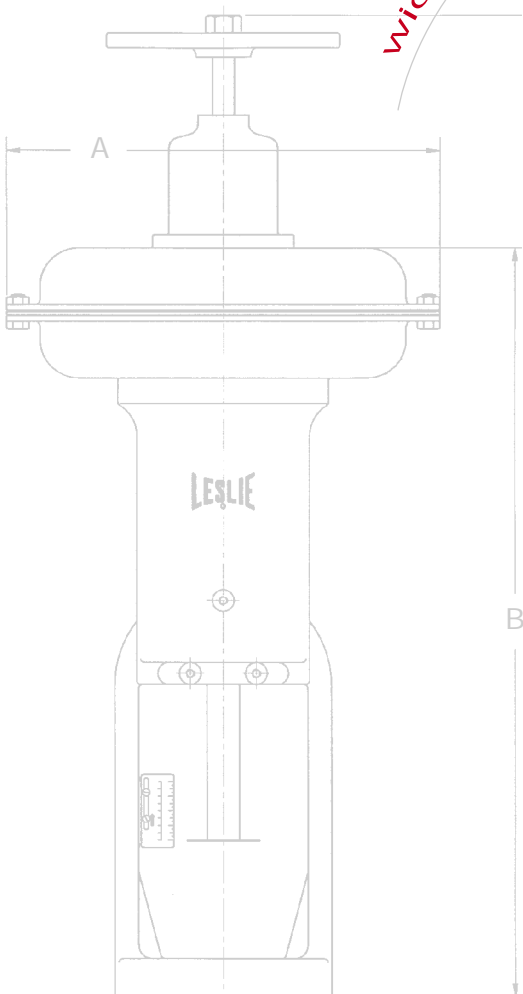


10/0.1.0
Rev. 0610

wide rangeability





CONTROL VALVE handbook

LESLIE
CONTROLS, INC.
A division of CIRCOR International, Inc.

zero leakage guaranteed

TABLE OF CONTENTS

LINEAR

DKLO Series Control Valve	4
Lil' Gator Type VLG Control Valve	12
DLO(S)-2 Control Valve	22
Linear Valve Specification Form	26
DBO(Y)(S)-3 Control Valve	28
Linear Valve Specification Form	36
Digi Actuator	38
DOS Unbalanced Control Valve	42
GTB Control Valve	46
Aeroflow Control Valve	58
 Chesterton Packing	65
Aeroflow Valve Specification Form	75
 Leslie Temp Desuperheaters	76
Standard Duty A.T. Model 38/48	79
Heavy Duty A.T. Model 18/54 and 28/64	80
Standard Duty A.T.S.A. Model 24/34	81
Heavy Duty Que Model 33/43	82
Heavy Duty A.T. Model 13/23	83
Small Pipe Inline Desuperheater (SPID) Model 88 ..	84
Ven-Temp Desuperheater	87
SPID Desuperheater Specification Form	89
Model QT Steam Conditioning Specification Form ..	90
Model AT Steam Conditioning Specification Form ..	91

ROTARY

K-MAX Control Valve	94
Rotary Valve Specification Form	104

THREE WAY

GTW Three Way Control Valve	106
GTW Valve Specification Form	117
RVK, RVB, RVD Three Way Rotary Valve	118
RV Three Way Valve Specification Form	121
DOT Three Way Control Valve	122
3-Way Valve Specification Form	127

ISOLATION VALVE

 Steam Isolation Ball Valve	130
--	-----


ON-OFF

2500 Series Electrically Actuated Shutoff Valve	134
2500 Series Valve Specification Form	140
Fire-Cide® Series Heat Actuated Shutoff Valve	142
Fire-Cide® Series Valve Specification Form	145

NOISE REDUCTION

Noise Suppressor	148
Les-Sonic Silencing Orifice	152

INSTRUMENTATION

PMC-1 Electro-Pneumatic Controller	156
 PIII Pneumatic Controllers	158
Leslie Thermocouple	162
RTD Resistance Probe Thermometer	163
Electronic Pressure Transmitter	164
Siemens Positioner	165
ABB TZID-C Intelligent Positioner	166
ABB AV Series Intelligent Positioner	168
Type PDA/PRA Constant Pressure Control Pilot	170
Type PDAP/PRAP Constant Pressure Control Pilot with Adjustable Proportional Band	172
Type UDDV/UDDVP/UDRVP Differential Pressure and Vacuum Pilot Controllers	174
LEVELMATIC Liquid Level Pilot Controller	176
PROP-MATIC® Temperature Pilot Controller	180
Type S Transfer Valve	186
Airset Type AS-1 Series Adjustable Air Regulator	188
AIRMATE® Type AFG-2 Air Loaders and Panels	190

REFERENCE

Glossary of Terms	194
Industry Standards	195
Flange Standards	196
Flow vs. Velocity Chart	197
Pressure to Vacuum	198
Properties of Water	199
Pipe Data Tables	200
Ratings for ASTM A216-WCB	204
Ratings for ASTM A217-WC9	205
Ratings for A351 CF8M (316SS)	206
FCI 70-2 Seat Leakage	207
Liquid Body Velocity Limitation	208
Pressure Temperature Limits	209
Material Selection Chart	210
Conversion Tables	212
Steam Table	214