

42 / 760P Positioners



**42 Positioner
on 50 Actuator**



**760P Positioner
on 84 Actuator**

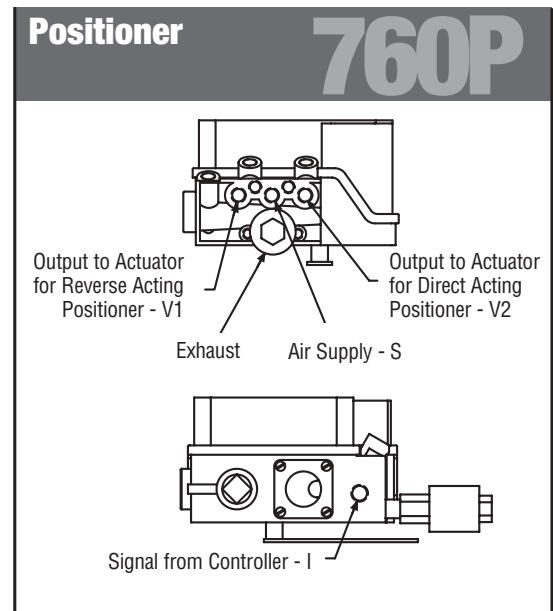
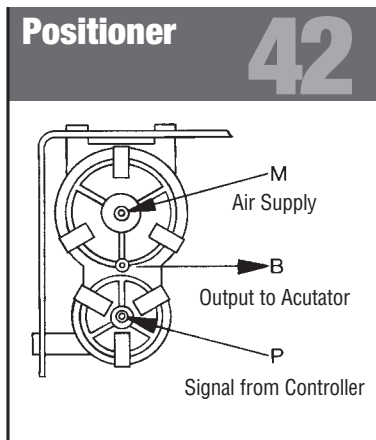
APPLICATION:

The **42 and 760P Positioners** are useful to match an actuator's operating range to a controller's signal and to optimize shut-off capability. A positioner is mounted on an actuator and is mechanically linked to a valve's stem. It applies its own separate air supply to position a valve's plug with respect to the signal from a controller. These positioners respond to an air pressure (PSIG) signal. They have adjustable start points and spans and can be set to respond to a number of signal ranges.

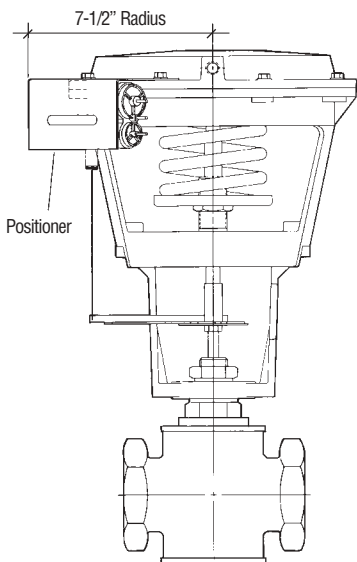
POSITIONER SPECIFICATIONS:

Control Signal:	42: 3-15 PSIG (Factory Setting) Adjustable/Non-Reversible Start Point Adjustable from 1 to 12 PSIG; Span Adjustable from 2 to 13 PSIG 760P: 3-15 PSIG (Factory Setting) Adjustable to 3-9 PSIG and 9-15 PSIG / Reversible
Air Supply:	Use Clean, Oil Free, Dry Air
Consumption:	42: 20 PSIG / Approx 0.012 SCFM 760P: 20 PSIG / Approx 0.020 SCFM
Air Connections:	42: "M" (Air Supply) Barbed for 1/4" OD Tubing "B" (Output to Actuator) Barbed for 1/4" OD Tubing "P" (Air Signal from Controller) Dual-contoured for 1/4" OD and 5/32" Tubing 760P: "S" (Air Supply) 1/4" NPT "V1" and "V2" (Output to Actuator) 1/4" NPT "I" (Air Signal from Controller) 1/4" NPT Gauge 1/8" NPT Exhaust 1/4" NPT

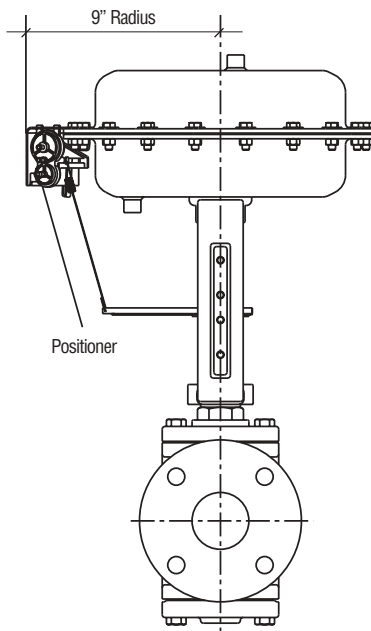
AIR CONNECTION DIAGRAMS:



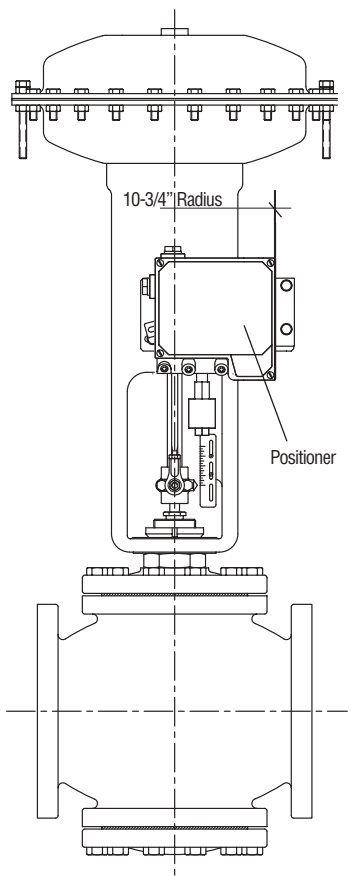
OVERALL DIMENSIONS:



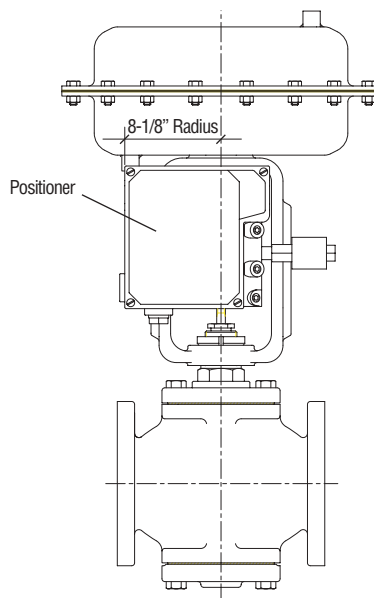
42 Positioner on 50 Actuator



42 Positioner on 84 Actuator



760P Positioner on 115 Actuator



760P Positioner on 84 Actuator

