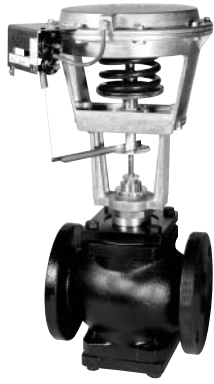


50 / 84 / 115 Actuators



**50 Actuator with
42 Positioner on
2-1/2 Inch Valve**



**84 Actuator with
760P Positioner on
5 Inch Valve**



**115 Actuator with
760P Positioner on
10 Inch Valve**

APPLICATION:

The **50, 84 and 115 Actuators** use air pressure and springs to move the plug in a valve and provide shut-off. They can be ordered with several common spring ranges. Their action is direct which means an increase in air pressure extends the actuator's stem. See "Control Action" below to learn what effect this has for each valve. The 42 Positioner and 760P Positioner are available as accessories. A positioner is useful to match an actuator's operating range to a controller's signal and to optimize its shut-off capabilities.

ACTUATOR SPECIFICATIONS:

- Effective Area: **50:** 50 Square Inches
84: 84 Square Inches
115: 115 Square Inches
- Spring Ranges: (Actual operating range may vary)
50: 3-8 PSIG and 8-13 PSIG
84 & 115: 3-15 PSIG, 3-9 PSIG, and 9-15 PSIG
- Construction: **50:** Aluminum Yoke and Diaphragm Chanber with Neoprene Diaphragm
84 & 115: Acrylic Enamel Coated Yoke and Steel Diaphragm Chanber with Buna-N Diaphragm
- Air Supply: 20 PSIG Required
- Air Connections: **50:** 1/8 inch NPT
84 & 115: 1/4 inch NPT
- Temperature Limit: Ambient: 32°F - 180°F
- Mounting: Vertical Above Valve
- Accessories: **50:** 42 Positioner
84 & 115: 42 Positioner and 760P Positioner

CONTROL ACTION:

Normally Open Single and Double-Seated Valves:

Increasing Signal Closes Valve

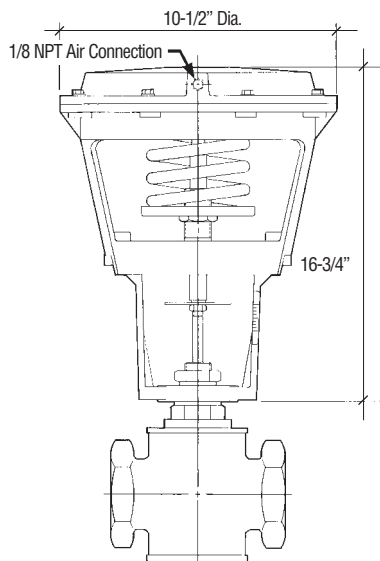
Normally Closed Single and Double-Seated Valves:

Increasing Signal Opens Valve

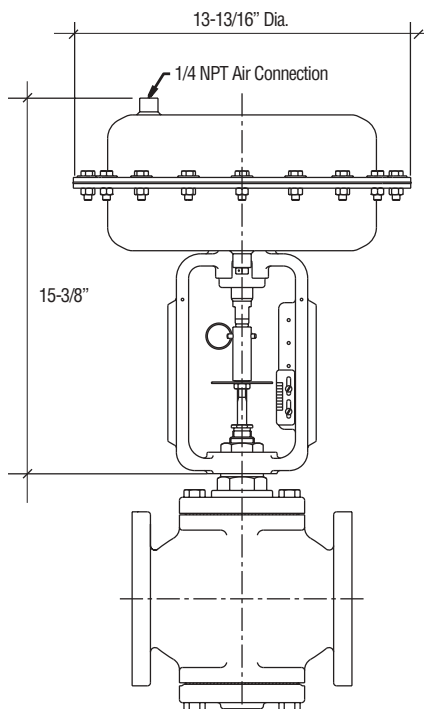
3-Way Mixing and Diverting Valves:

Increasing Signal Closes Lower Port / Opens Upper Port

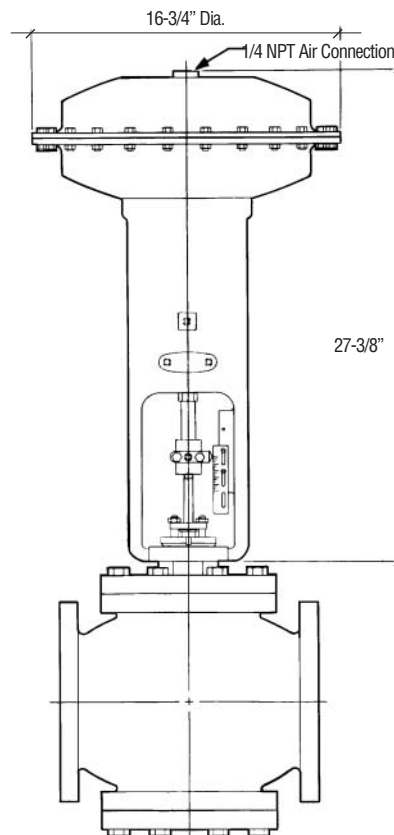
OVERALL DIMENSIONS:



50 Actuator



84 Actuator



115 Actuator

