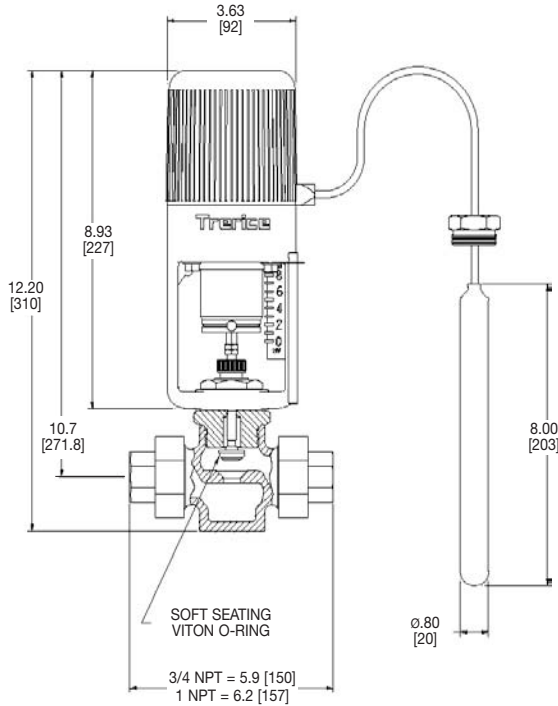


91000XT Series Tank Thermostat

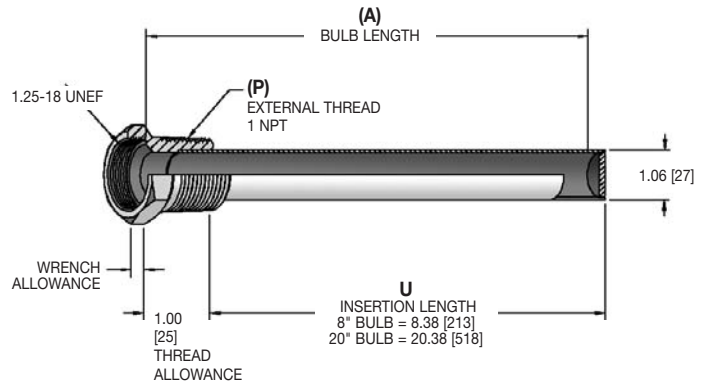
All dimensions are nominal. Dimensions in [] are in millimeters.

TEMPERATURE REGULATORS

Thermostat



Thermowell



HOW TO ORDER

Thermowell Style	(P) External Thread	Bulb Length	Material
53 Tank Thermostat	5 1 NPT	L 8" Bulb We 20" Bulb*	3 Steel

* For ranges X07 and X08 only.

If Thermowells are to be purchased as a separate item, or if a Special Thermowell is required, please refer to this page. If a complete Temperature Regulator is purchased, the proper Thermowell to match the sensing bulb ordered will be supplied.

Standard Ranges

Range Code	Nominal Range	Recommended Working Span	Bulb Length (A)
X13	85° to 115°F & 30° to 45°C	85° to 115°F & 30° to 45°C	8"
X11	80° to 140°F & 25° to 60°C	110° to 140°F & 45° to 60°C	8"
X04	110° to 140°F & 45° to 60°C	110° to 140°F & 45° to 60°C	8"
X15	130° to 160°F & 50° to 70°C	130° to 160°F & 50° to 70°C	8"
X01	110° to 190°F & 45° to 90°C	160° to 190°F & 70° to 90°C	8"
X03	125° to 215°F & 55° to 100°C	180° to 210°F & 80° to 100°C	8"
X12	200° to 280°F & 95° to 135°C	250° to 280°F & 120° to 140°C	8"
X10	225° to 315°F & 110° to 155°C	280° to 310°F & 135° to 155°C	8"
X16	310° to 365°F & 155° to 185°C	310° to 365°F & 155° to 185°C	8"
X14	295° to 420°F & 145° to 215°C	360° to 420°F & 180° to 215°C	8"
X08*	45° to 115°F & 10° to 45°C	85° to 115°F & 30° to 45°C	20"
X07*	65° to 140°F & 20° to 60°C	110° to 140°F & 45° to 60°C	20"

*Except for Range Codes X07 and X08, the actuator housing and capillary tubing must always be exposed to a temperature lower than the required control point for proper thermostat operation.

Valve Capacities

Gas (Specific Gravity = 0.6)						
Inlet Pressure (PSIG)	5	10	20	30	40	50
Outlet Pressure (PSIG)	4 2 0	8 5 0	15 10 5	25 20 10	30 20 15	40 30 25
Capacity (scfh)	970 1585 1935	1450 2140 2700	2685 3480 3870	3100 4120 5030	4650 6000 6200	5320 6870 7250