

# CAST IRON

# Valve Body Selection

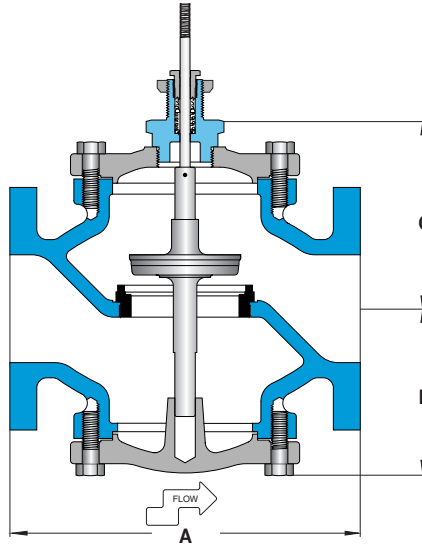
(for 940 Series Heavy Duty Control Valve)

Single Seat • 2 1/2" – 6"

All dimensions are nominal. Dimensions in [ ] are in millimeters.



Stem In-to-Close (fail-open)



Size	Class 125			Class 250		
	A	B	C	A	B	C
2 1/2"	9.0 [229]	4.6 [117]	5.5 [140]	9.6 [244]	4.6 [117]	5.5 [140]
3"	10.0 [254]	5.3 [135]	6.1 [155]	10.8 [274]	5.3 [135]	6.1 [155]
4"	13.0 [330]	6.2 [157]	7.1 [180]	13.6 [345]	6.2 [157]	7.1 [180]
5"	15.8 [401]	5.6 [142]	7.8 [198]	16.6 [422]	5.6 [142]	7.8 [198]
6"	17.8 [452]	6.4 [163]	8.4 [213]	18.6 [472]	6.4 [163]	8.4 [213]

## Specifications

Body Material	Trim Material	Trim Style	Close-off	Connection	Pressure & Temperature Rating
Cast-iron	Stainless steel	Equal percentage	Class IV	Class 125 flanged Class 250 flanged	140 PSI @ 300°F (149°C) 310 PSI @ 300°F (149°C)

## Valve Body Selection

In-To-Close (fail-open)				Maximum Close-Off Pressure (psid)				Approximate Shipping Wt.
Valve Body Number Class 125	Size Connection (Flanged)	Nominal Port	C <sub>v</sub>	Actuator				
				940B	940B w/Positioner	940C	940C w/Positioner	
K71	2 1/2	2 1/2"	65	x	140	5	140	55 lbs [24.9 kg]
K76	3	3"	90	x	140	x	140	72 lbs [32.7 kg]
K81	4	4"	170	x	79	x	113	119 lbs [54.0 kg]
K86	5	5"	280	x	47	x	71	134 lbs [60.8 kg]
K91	6	6"	360	x	30	x	46	175 lbs [79.4 kg]

In-To-Close (fail-open)				Maximum Close-Off Pressure (psid)				Approximate Shipping Wt.
Valve Body Number Class 250	Size Connection (Flanged)	Nominal Port	C <sub>v</sub>	Actuator				
				940B	940B w/Positioner	940C	940C w/Positioner	
L71	2 1/2	2 1/2"	65	x	220	5	309	64 lbs [29.0 kg]
L76	3	3"	90	x	149	x	210	77 lbs [34.9 kg]
L81	4	4"	170	x	79	x	113	131 lbs [59.4 kg]
L86	5	5"	280	x	47	x	71	166 lbs [75.3 kg]
L91	6	6"	360	x	30	x	46	233 lbs [105.7kg]

CONTROL VALVES

# Valve Body Selection

(for 940 Series Heavy Duty Control Valve)

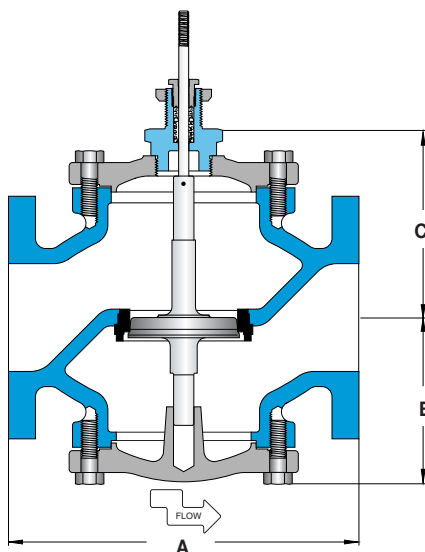
# CAST IRON

Single Seat • 2 1/2" – 6"

All dimensions are nominal. Dimensions in [ ] are in millimeters.

CONTROL VALVES

Stem In-to-Open (fail-closed)



Size	Class 125			Class 250		
	A	B	C	A	B	C
2 1/2"	9.0 [229]	4.6 [117]	5.5 [140]	9.6 [244]	4.6 [117]	5.5 [140]
3"	10.0 [254]	5.3 [135]	6.1 [155]	10.8 [274]	5.3 [135]	6.1 [155]
4"	13.0 [330]	6.2 [157]	7.1 [180]	13.6 [345]	6.2 [157]	7.1 [180]
5"	15.8 [401]	7.4 [188]	5.9 [150]	16.6 [422]	7.4 [188]	5.9 [150]
6"	17.8 [452]	8.0 [203]	6.7 [170]	18.6 [472]	8.0 [203]	6.7 [170]

## Specifications

Body Material	Trim Material	Trim Style	Close-off	Connection	Pressure & Temperature Rating
Cast-iron	Stainless steel	Equal percentage	Class IV	Class 125 flanged Class 250 flanged	140 PSI @ 300°F (149°C) 310 PSI @ 300°F (149°C)

## Valve Body Selection

In-To-Open (fail-closed)				Maximum Close-Off Pressure (psid)				Approximate Shipping Wt.
Valve Body Number Class 125	Size Connection (Flanged)	Nominal Port	C <sub>v</sub>	Actuator				
				940B*	940B w/Positioner	940C*	940C w/Positioner	
K72	2 1/2	2 1/2"	65	101	118	140	140	55 lbs [24.9 kg]
K77	3	3"	90	65	77	96	113	72 lbs [32.7 kg]
K82	4	4"	170	32	39	49	58	119 lbs [54.0 kg]
K87	5	5"	280	17	21	28	34	134 lbs [60.8 kg]
K92	6	6"	360	10	13	17	21	175 lbs [79.4 kg]

In-To-Open (fail-closed)				Maximum Close-Off Pressure (psid)				Approximate Shipping Wt.
Valve Body Number Class 250	Size Connection (Flanged)	Nominal Port	C <sub>v</sub>	Actuator				
				940B*	940B w/Positioner	940C*	940C w/Positioner	
L72	2 1/2	2 1/2"	65	101	118	145	169	64 lbs [29.0 kg]
L77	3	3"	90	65	77	96	113	77 lbs [34.9 kg]
L82	4	4"	170	32	39	49	58	131 lbs [59.4 kg]
L87	5	5"	280	17	21	28	34	166 lbs [75.3 kg]
L92	6	6"	360	10	13	17	21	233 lbs [105.7kg]

\*Requires a 9-15 psi input signal.