

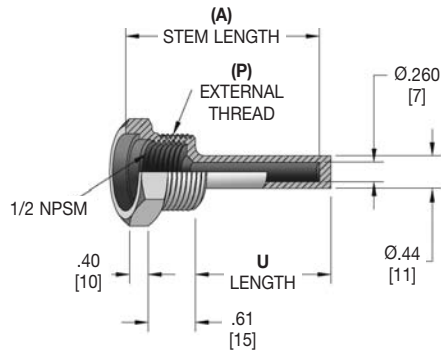
Thermowells

for **Bimetal Thermometers & Temperature Sensors**
Threaded-Stepped Shank

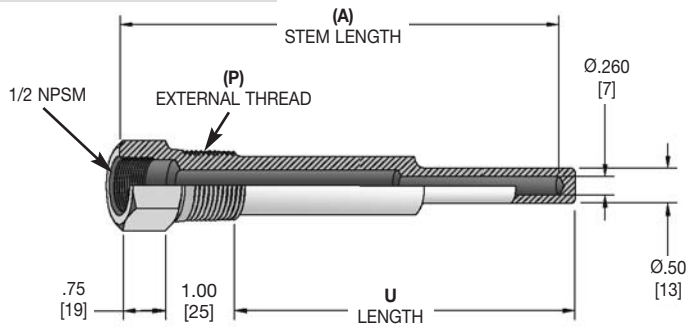
All dimensions are nominal.
Dimensions in [] are in millimeters

THERMOWELLS

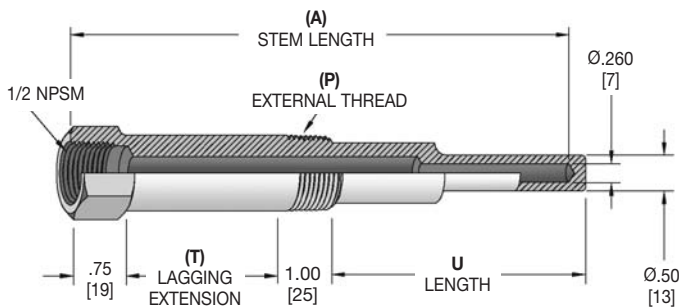
Standard (2 1/2" - 6")



Standard (9 - 24")



with Lagging Extension



Lengths

(A) Stem Length	Standard	with Lagging Extension	
	U Length	(T)	U Length
2 1/2"	1.75 [44]	-	-
4"	2.50 [64]	0.60 [15]	1.90 [48]
6"	4.50 [114]	2.00 [51]	2.50 [64]
9"	7.50 [191]	3.00 [76]	4.50 [114]
12"	10.50 [267]	3.00 [76]	7.50 [191]
15"	13.50 [343]	3.00 [76]	10.50 [267]
18"	16.50 [419]	3.00 [76]	13.50 [343]
24"	22.50 [572]	3.00 [76]	19.50 [495]

Pressure Rating (psi)

Material	Operating Temperature					
	70°F	200°F	400°F	600°F	800°F	1000°F
Brass	5000	4200	1000	—	—	—
Carbon steel	5200	5000	4800	4600	3500	1500
304 stainless steel	7000	6200	5600	5400	5200	4500
316 stainless steel	7000	7000	6400	6200	6100	5100
Monel	6500	6000	5400	5300	5200	1500

Alternative materials and accessories are also available. Please consult the Options and Accessories Section for details.

Selection of the proper thermowell is the sole responsibility of the user. Temperature and pressure limitations must be considered. Improper application may cause failure of the thermowell, resulting in possible personal injury or property damage.

HOW TO ORDER

Sample Order Number: **76-4 J 6**

Thermowell Style	(P) External Thread	(A) Stem Length	(T) Lagging Extension	Material	
76- Bimetal/Sensor Stepped shank*	3 1/2 NPT** 4 3/4 NPT 5 1 NPT**	D 2 1/2" Stem	A 1" Extension (4" Stem only) C 2" Extension (6" Stem only) E 3" Extension (9" and longer Stem only) Omit if None	2 Brass 3 Steel 4 Monel	
		G 4" Stem			5 304SS
		J 6" Stem			
	M 9" Stem				
	R 12" Stem				
	V 15" Stem				
	Wa 18" Stem				
	Wk 24" Stem				

* 2 1/2" - 6" stem straight shank.

** Not available with 2 1/2" stem length.

Thermowells

for **Bimetal Thermometers & Temperature Sensors**

Heavy Duty • Tapered Shank for High Pressure Applications

THERMOWELLS

Lengths

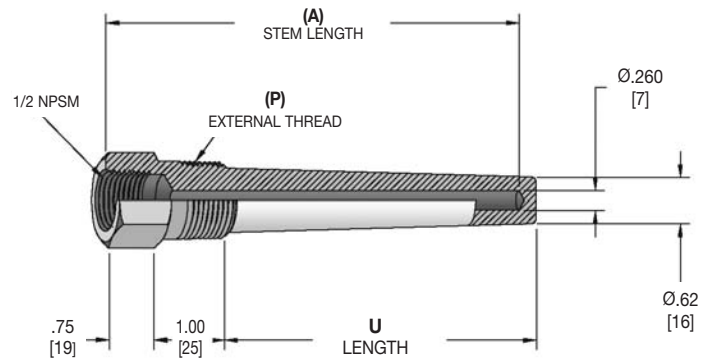
(A) Stem Length	Standard	with Lagging Extension	
	U Length	(T)	U Length
4"	2.50 [64]	1.00 [25]	1.50 [38]
6"	4.50 [114]	2.00 [51]	2.50 [64]
9"	7.50 [191]	3.00 [76]	4.50 [114]
12"	10.50 [267]	3.00 [76]	7.50 [191]
15"	13.50 [343]	3.00 [76]	10.50 [267]
18"	16.50 [419]	3.00 [76]	13.50 [343]
24"	22.50 [572]	3.00 [76]	19.50 [495]

Pressure Rating (psi)

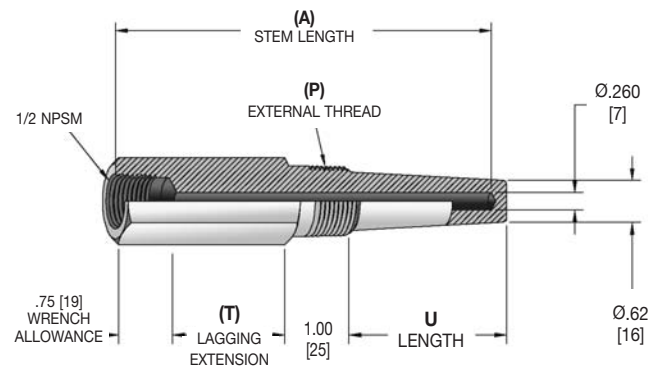
Material	Operating Temperature					
	70°F	200°F	400°F	600°F	800°F	1000°F
Brass	5300	4750	1100	—	—	—
Carbon steel	5950	5750	5450	5250	4000	1750
304 stainless steel	7800	7050	6400	6150	6000	5190
316 stainless steel	7800	7800	7250	7100	6950	5800
Monel	7450	6850	6150	6100	5940	—

Standard

All dimensions are nominal.
Dimensions in [] are in millimeters



with Lagging Extension



Alternative materials and accessories are also available. Please consult the Options and Accessories Section for details.

Selection of the proper thermowell is the sole responsibility of the user. Temperature and pressure limitations must be considered. Improper application may cause failure of the thermowell, resulting in possible personal injury or property damage.

HOW TO ORDER

Sample Order Number: **90-4 G 4**

Thermowell Style	(P) External Thread	(A) Stem Length	(T) Lagging Extension	Material	
90- Bimetal/Sensor Tapered Shank	4 3/4 NPT	G 4" Stem	C 2" Extension (6" Stem only)	2 Brass 3 Steel 4 Monel 5 304SS 6 316SS	
		J 6" Stem			
	5 1 NPT	M 9" Stem	E 3" Extension (9" and longer Stem only) Omit if None		
		R 12" Stem			
			V 15" Stem		
			Wa 18" Stem		
			Wk 24" Stem		

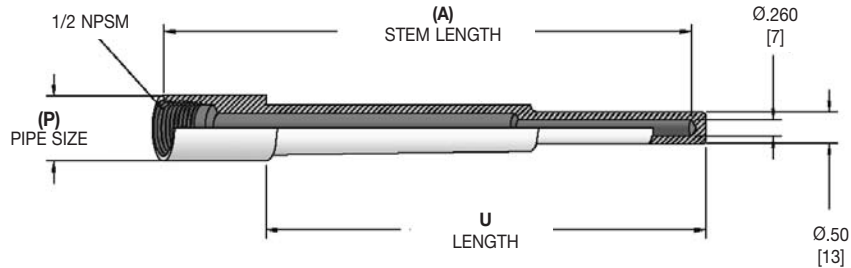
Thermowells

for **Bimetal Thermometers & Temperature Sensors**
Socket-Weld Style • Stepped or Heavy Duty Tapered Shank

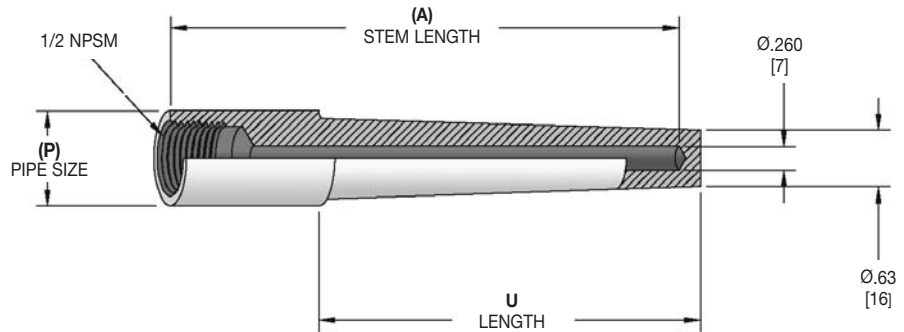
All dimensions are nominal.
 Dimensions in [] are in millimeters.

THERMOWELLS

Stepped Shank



Tapered Shank



Lengths

(A) Stem Length	U Length
4"	2.50 [64]
6"	4.50 [114]
9"	7.50 [191]
12"	10.50 [267]
15"	13.50 [343]
18"	16.50 [419]
24"	22.50 [572]

Other Dimensions

Nominal Pipe Size	Actual (P) Diameter
3/4"	1.050 [23.67]
1"	1.315 [33.40]

Pressure Rating (psi)

	Material	Operating Temperature					
		70°F	200°F	400°F	600°F	800°F	1000°F
Stepped Shank	Carbon Steel	5200	5000	4800	4600	3500	1500
	304 Stainless Steel	7000	6200	5600	5400	5200	4500
	316 Stainless Steel	7000	7000	6400	6200	6100	5100
Tapered Shank	Carbon Steel	5950	5750	5450	5250	4000	1750
	304 Stainless Steel	7800	7050	6400	6150	6000	5190
	316 Stainless Steel	7800	7800	7250	7100	6950	5800

Alternative materials and accessories are also available. Please consult the Options and Accessories Section for details.

Selection of the proper thermowell is the sole responsibility of the user. Temperature and pressure limitations must be considered. Improper application may cause failure of the thermowell, resulting in possible personal injury or property damage.

HOW TO ORDER

Sample Order Number: **90-S5 M 6**

Thermowell Style	(P) Nominal Pipe Size	(A) Stem Length	Material
76- Bimetal/Sensor Tapered Shank	S4 3/4" S5 1"	G 4" Stem	3 Steel
		J 6" Stem	5 304SS
		M 9" Stem	6 316SS
		R 12" Stem	
90- Bimetal/Sensor Tapered Shank		V 15" Stem	
		Wa 18" Stem	
		Wk 24" Stem	

Thermowells

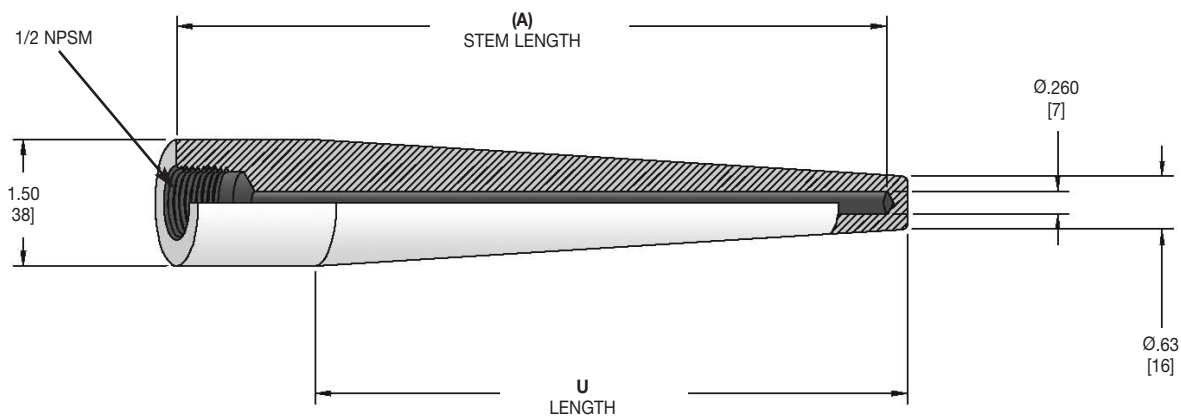
for **Bimetal Thermometers & Temperature Sensors**

Weld-In Style

THERMOWELLS

Tapered Shank

All dimensions are nominal. Dimensions in [] are in millimeters



Lengths

(A) Stem Length	U Length
4"	2.50 [64]
6"	4.50 [114]
9"	7.50 [191]
12"	10.50 [267]
15"	13.50 [343]
18"	16.50 [419]
24"	22.50 [572]

Pressure Rating (psi)

Material	Operating Temperature					
	70°F	200°F	400°F	600°F	800°F	1000°F
Carbon steel	5950	5750	5450	5250	4000	1750
304 stainless steel	7800	7050	6400	6150	6000	5190
316 stainless steel	7800	7800	7250	7100	6950	5800

Alternative materials and accessories are also available. Please consult the Options and Accessories Section for details.

Selection of the proper thermowell is the sole responsibility of the user. Temperature and pressure limitations must be considered. Improper application may cause failure of the thermowell, resulting in possible personal injury or property damage.

HOW TO ORDER

Sample Order Number: **90-W7 V 6**

Thermowell Style	Connection	(A) Stem Length	Material
90- Bimetal/Sensor Tapered Shank	W7 1 1/2"	G 4" Stem	3 Steel
		J 6" Stem	5 304SS
		M 9" Stem	6 316SS
		R 12" Stem	
		V 15" Stem	
		Wa 18" Stem	
		Wk 24" Stem	

Thermowells

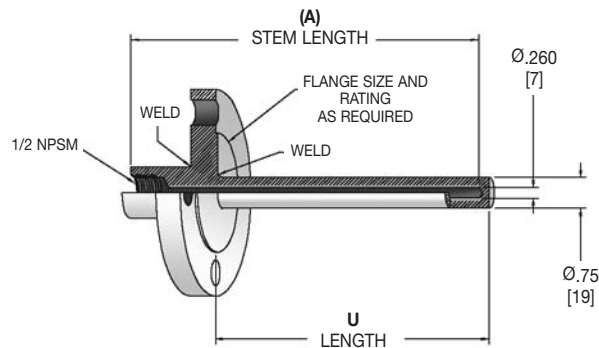
for **Bimetal Thermometers & Temperature Sensors**

Flanged Style • Straight or Heavy Duty Tapered Shank

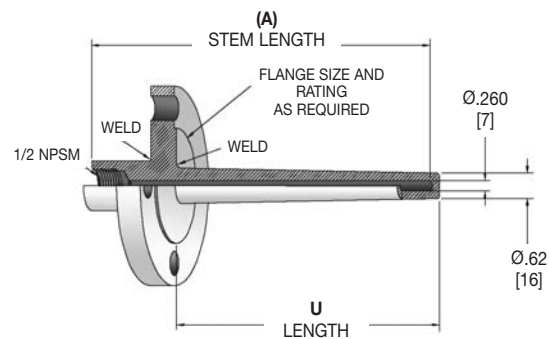
All dimensions are nominal.
Dimensions in [] are in millimeters.

THERMOWELLS

Straight Shank



Tapered Shank



Lengths

(A) Stem Length	U Length
4"	2.00 [51]
6"	4.00 [102]
9"	7.00 [178]
12"	10.00 [254]
15"	13.00 [330]
18"	16.00 [406]
24"	22.00 [559]

Maximum Flange Pressure Rating (psi)

Material	Operating Temperature						
	70°F	200°F	400°F	600°F	800°F	1000°F	1125°F
Carbon steel	UP			TO → 2500			
304 stainless steel	UP			TO → 2500			
316 stainless steel	UP			TO → 2500		2500	
Monel	UP			TO → 2500			

Alternative materials and accessories are also available. Please consult the Options and Accessories Section for details.

Selection of the proper thermowell is the sole responsibility of the user. Temperature and pressure limitations must be considered. Improper application may cause failure of the thermowell, resulting in possible personal injury or property damage.

HOW TO ORDER

Sample Order Number: **78-81 J 6**

Thermowell Type	Flange Size and Rating	(A) Stem Length	Material
78- Bimetal/Sensor Straight Shank	51 1" 71 1 1/2" 81 2" 150# RFF	G 4" Stem	3 Steel
		J 6" Stem	4 Monel
		M 9" Stem	5 304SS
90- Bimetal/Sensor Tapered Shank	181 3" 53 1" 73 1 1/2" 83 2" 183 3" 300# RFF	R 12" Stem	6 316SS
		V 15" Stem	
		Wa 18" Stem	
	56 1" 76 1 1/2" 86 2" 186 3" 600# RFF	Wk 24" Stem	

Other Flange Sizes and Ratings available; consult factory.

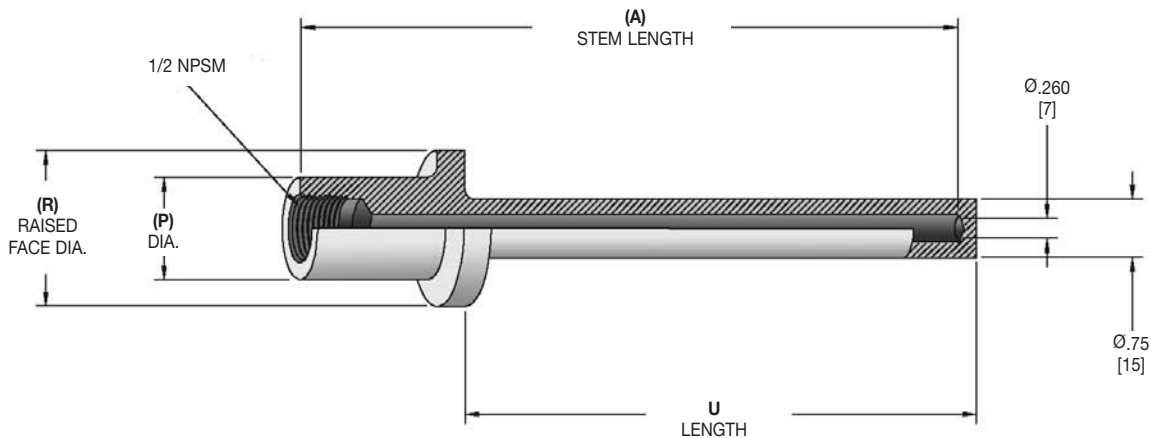
Thermowells

for **Bimetal Thermometers & Temperature Sensors**

Van Stone Style

All dimensions are nominal. Dimensions in [] are in millimeters.

Straight Shank



Thermowell does not include backing flange; when required, a carbon steel backing flange can be supplied. Consult factory.

Lengths

(A) Stem Length	U Length
4"	2.00 [51]
6"	4.00 [102]
9"	7.00 [178]
12"	10.00 [254]
15"	13.00 [330]
18"	16.00 [406]
24"	22.00 [559]

Other Dimensions

Nominal Pipe Size	Actual (P) Diameter	Raised Face (R) Diameter
1"	1.32 [33]	2.00 [51]
1 1/2"	1.90 [48]	2.88 [73]

Pressure Rating (psi)

Material	Operating Temperature					
	70°F	200°F	400°F	600°F	800°F	1000°F
Carbon steel	5200	5000	4800	4600	3500	1500
304 stainless steel	7000	6200	5600	5400	5200	4500
316 stainless steel	7000	7000	6400	6200	6100	5100
Monel	6500	6000	5400	5300	5200	—

Alternative materials and accessories are also available. Please consult the Options and Accessories Section for details.

Selection of the proper thermowell is the sole responsibility of the user. Temperature and pressure limitations must be considered. Improper application may cause failure of the thermowell, resulting in possible personal injury or property damage.

HOW TO ORDER

Sample Order Number: **78-V7 R 6**

Thermowell Style	(P) Nominal Pipe Size	(A) Stem Length	Material
78- Bimetal/Sensor Straight Shank	V5 1" V7 1 1/2"	G 4" Stem	3 Steel
		J 6" Stem	4 Monel
		M 9" Stem	5 304SS
		R 12" Stem	6 316SS
		V 15" Stem	
		Wa 18" Stem	
		Wk 24" Stem	

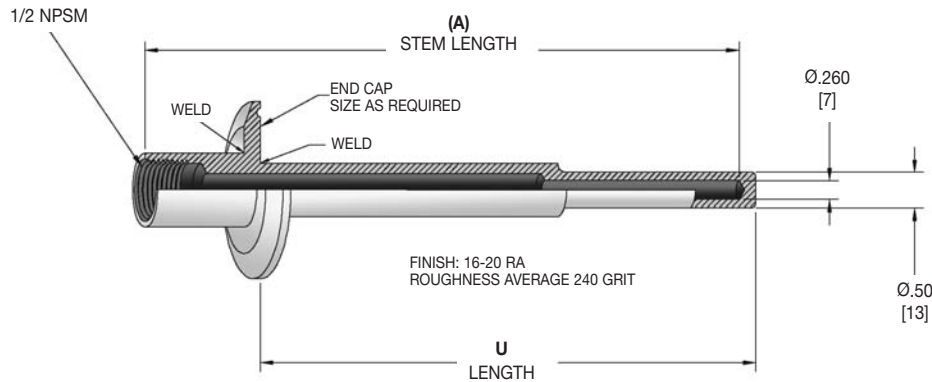
Thermowells

for **Bimetal Thermometers & Temperature Sensors**

Sanitary Style

All dimensions are nominal.
Dimensions in [] are in millimeters.

Stepped



THERMOWELLS

Lengths

(A) Stem Length	U Length
4"	2.50 [64]
6"	4.50 [114]
9"	7.50 [191]
12"	10.50 [267]
15"	13.50 [343]
18"	16.50 [419]
24"	22.50 [572]

Designed to meet 3A Dairy Certification requirements.

Pressure ratings are dependent upon the clamps, gaskets and ferrules used, which are not supplied by Trerice.

Alternative materials and accessories are also available. Please consult the Options and Accessories Section for details.

Selection of the proper thermowell is the sole responsibility of the user. Temperature and pressure limitations must be considered. Improper application may cause failure of the thermowell, resulting in possible personal injury or property damage.

HOW TO ORDER

Sample Order Number: **76-T8 M 6**

Thermowell Type	End Cap Size	(A) Stem Length	Material
76- Bimetal/Sensor Stepped Shank	T7 1 1/2"	G 4" Stem	5 304SS
	T8 2"	J 6" Stem	6 316SS
	T18 3"	M 9" Stem	
		R 12" Stem	
		V 15" Stem	
		Wa 18" Stem	
		Wk 24" Stem	