

# Retort

## for Food Processing

INDUSTRIAL THERMOMETERS



BX13403R21 shown

- ▶ 9" Scale Size
- ▶ ± 1 Scale Division Accuracy
- ▶ Cast Aluminum Case
- ▶ Rigid Straight Case  
Rigid 45° Angle Case  
Rigid 90° Angle Case

The Trerice **Retort** Industrial Thermometer is the instrument of choice within the food processing and canning industries. The scale is configured to indicate the temperature and corresponding pressure of steam. This thermometer is furnished with a rigid, stainless steel stem, in straight or angle forms, and features a 9" scale and rugged cast aluminum case.

- Optional features available: Please consult Options & Accessories Section for details.
- This thermometer includes a one-piece stainless steel stem and is designed to be directly installed using a union connection bushing (page 99); therefore, use of a thermowell is not required.

### Specifications

Models	Scale Size
BX1	9" Rigid Straight
BX2	9" Rigid 90° Angle
BX5	9" Rigid 45° Angle
<b>Fill Type</b>	Mercury: Blue appearing
<b>Case</b>	Cast Aluminum, blue epoxy finish
<b>Stem</b>	One-piece, 304 stainless steel
<b>Process Connection</b>	1 1/4-18 UNEF-2A coupling nut (A union connection bushing is required for installation; please consult page 99 of the Options and Accessories section.)
<b>Window</b>	Acrylic on ranges to 300° F Glass on ranges over 300° F
<b>Tube</b>	Lens Front, blue appearing mercury
<b>Scale</b>	Aluminum, white background with black graduations and markings
<b>Top Plate</b>	ABS
<b>Accuracy</b>	±1 scale division
<b>Approximate Shipping Weight</b>	BX1: 1.4 lbs [0.64 kg] BX2: 1.3 lbs [0.59 kg] BX5: 1.4 lbs [0.64 kg]

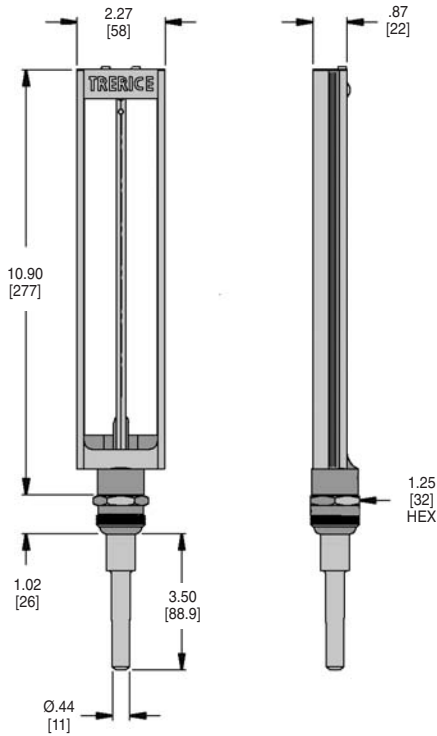
### HOW TO ORDER

Sample Order Number: **BX1 3 403 R21**

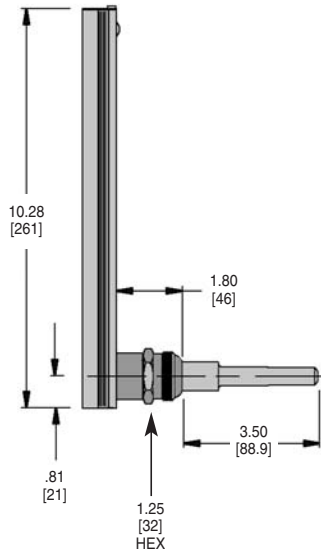
Model	Stem (Material)	Stem (Length)	Specific Range
BX1 Straight BX2 90° Angle BX5 45° Angle	3 304 SS	403 3 1/2"	See Standard Ranges

All dimensions are nominal.  
Dimensions in [ ] are in millimeters.

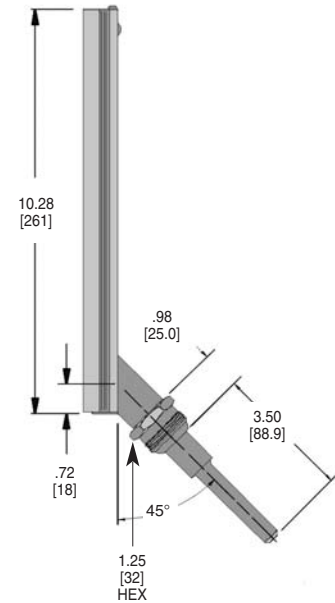
## Rigid-Straight



## Rigid-90° Angle



## Rigid-45° Angle



## Standard Ranges

Fahrenheit & psi Scale		Fahrenheit		psi	
Range Code	Range	Figure Intervals	Minor Divisions	Figure Intervals	Minor Divisions
R21	170° to 270°F & 0 to 25 psi	10°F	1°F	5 psi	1 psi
R22	200° to 400°F & 0 to 220 psi	20°F	2°F	Progressive*	
Fahrenheit & Celsius Scale		Fahrenheit		Celsius	
Range Code	Range	Figure Intervals	Minor Divisions	Figure Intervals	Minor Divisions
R24	170° to 270°F & 80° to 130°C	10°F	1°F	5°C	1°C
R23	200° to 400°F & 95° to 205°C	20°F	2°F	105°C	1°C
Celsius & kg/cm² Scale		Celsius		kg/cm²	
Range Code	Range	Figure Intervals	Minor Divisions	Figure Intervals	Minor Divisions
R45	80° to 135°C & 0 to 2.1 kg/cm²	5°C	0.5°C	0.5 kg/cm²	0.1 kg/cm²

\*Progressive scale: 0-40 (10 psi intervals); 40-120 psi (20 psi intervals), 120 to 180 psi (30 psi intervals), 180 to 220 psi (40 psi interval).