

# Rear Connect Compact Style

BIMETAL THERMOMETERS



B822Y04 shown

Designed for minimum space applications, this compact, low-cost thermometer maintains the accuracy, responsiveness, and durability for which the Trerice Line of Bimetal Thermometers is known. The stainless steel case is hermetically sealed.

- ▶ 2" Dial Size
- ▶ ± 1.0% Full Scale Accuracy
- ▶ Stainless Steel Case & Stem
- ▶ Hermetically Sealed Design

• Optional features available: Please consult the Options & Accessories Section for details.

**Thermowell**

- For corrosive or pressure applications, use of a thermowell is recommended to prevent damage to the thermometer and facilitate its removal from the process (refer to pages 155-161). For correct use and application of all Bimetallic thermometers, please refer to the Bimetallic Actuated Thermometer Standard ASME B40.3.

## HOW TO ORDER

Sample Order Number: **B822Y 04 05**

Model	Stem Length	Range Code
B822Y	02 2 1/2"	Stem See Standard Ranges
B822YP	04 4" Stem	
	06 6" Stem	

Other stem lengths and ranges available. Please consult factory.

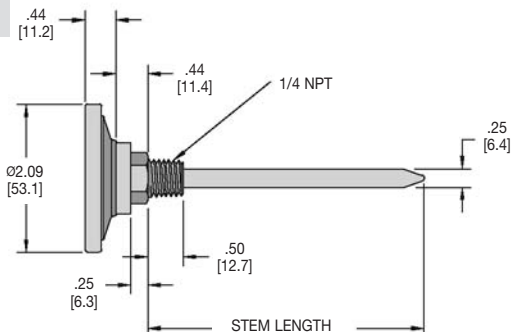
## Standard Ranges

Range Code	Dual Scale (Fahrenheit & Celsius Range)	Fahrenheit		Celsius	
		Figure Intervals	Minor Divisions	Figure Intervals	Minor Divisions
02	-40° to 160°F & -40° to 70°C	20°	2°	10°	1°
03	25° to 125°F & -5° to 50°C	10°	1°	5°	1/2°
27	0° to 250°F & -20° to 120°C	50°	2°	20°	2°
05	20° to 240°F & -10° to 115°C	20°	2°	10°	1°
08	50° to 500°F & 10° to 260°C	50°	5°	20°	2°

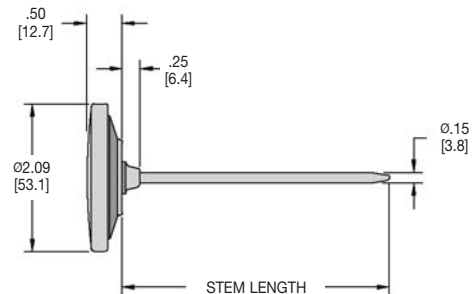
## Specifications

Models	Dial Size
B822Y	2" (Threaded)
B822YP	2" (Plain)
<b>Case</b>	300 stainless steel, hermetically sealed
<b>Stem</b>	<b>B822Y:</b> 300 stainless steel 1/4" diameter <b>B822YP:</b> 300 stainless steel 9/64" diameter
<b>Coil</b>	Bimetallic, silicone dampened on ranges to 300°F (148°C), above 300°F not dampened
<b>Connection</b>	<b>B822Y:</b> Rear, 1/4 NPT <b>B822YP:</b> Rear, unthreaded
<b>Window</b>	Glass
<b>Pointer</b>	Balanced, black finished
<b>Dial Face</b>	Aluminum, silver background with black graduations and markings
<b>External Reset</b>	Yes
<b>Accuracy</b>	±1.0 % Full Scale ASME B40.3 Grade A
<b>Approximate Shipping Weight</b>	0.4 lbs [0.18 kg]

### B822Y



### B822YP



All dimensions are nominal. Dimensions in [ ] are in millimeters.