

800LFB

Liquid Filled • Plastic Case



800LFB shown

UTILITY GAUGES

- ▶ **2", 2 1/2", 3 1/2" Dial Sizes**
- ▶ **±1.6% Accuracy (2", 2 1/2")**
- ▶ **±1.0% Accuracy (3 1/2")**
- ▶ **Liquid Filled**

The Trerice **800LFB** Utility Gauge is designed to meet the needs of general industrial applications. The gauge features a rugged, plastic, liquid filled case to withstand minor vibration and pulsation conditions. Wetted parts are bronze tube with brass socket.

- Optional features and case style variations available: Please consult the Options & Accessories Section for details.
- For correct use and application of all pressure gauges, please refer to: Pressure Gauge Standard ASME B40.100.

Specifications

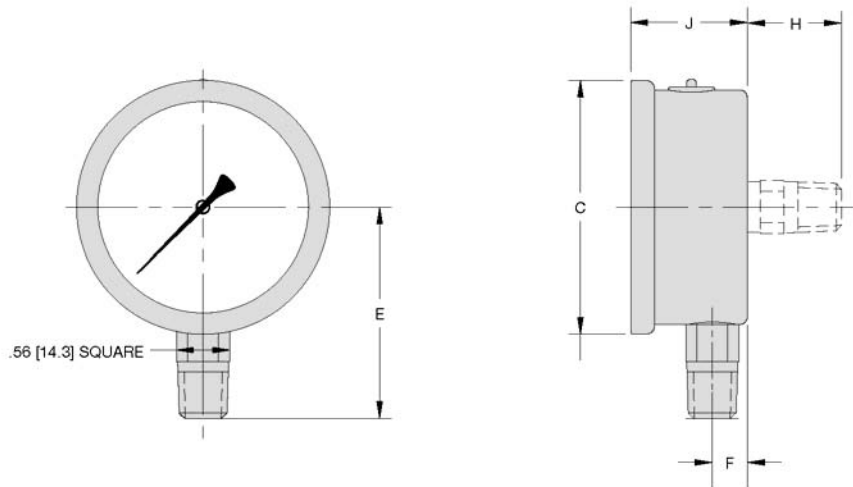
Model	800LFB (liquid filled)
Dial Sizes	2", 2 1/2", 3 1/2"
Wetted Parts	Bronze tube, brass socket
Fill	Glycerine, other fills available See Optional Features Section
Movement	Brass
Connection	Lower male or center back male 1/8 or 1/4 NPT
Case	2", 2 1/2" Dial Size: ABS plastic, stem-mounted flangeless 3 1/2" Dial Size: Nylon, stem-mounted flangeless
Ring	Crimped aluminum, black finished
Window	Styrene-acrylonitrile
Pointer	Plain, black finish
Dial Face	Aluminum, white background with black graduations and markings
Accuracy	2", 2 1/2" Dial Size: ±1.6% Full Scale 3 1/2" Dial Size: ±1.0% Full Scale, ASME B40.100 Grade 1A
Maximum Temperature	150°F (65°C)
Approximate Shipping Weight	2" Dial Size: 0.4 lbs [0.18 kg] 2 1/2" Dial Size: 0.5 lbs [0.23 kg] 3 1/2" Dial Size: 1.0 lbs [0.45 kg]

HOW TO ORDER

Sample Order Number: **800LFB 25 02 L A 110**

Model	Dial Size	Connection Size	Connection Location	Units of Measure	Range Code
800LFB	20 2"	01 1/8 NPT	L Lower	A psi	See Standard Ranges
	25 2 1/2"	02 1/4 NPT	B Back	D psi/kPa	
	35 3 1/2"				

All dimensions are nominal. Dimensions in [] are in millimeters.



Dial Size	C	E	F	H	J
2"	2.09 [53.1]	1.91 [48.5]	0.48 [12.2]	0.98 [24.9]	1.24 [31.2]
2 1/2"	2.67 [67.8]	2.19 [55.5]	0.39 [10.0]	0.99 [25.1]	1.26 [32.5]
3 1/2"	4.23 [107]	2.87 [73.0]	0.48 [12.2]	1.06 [27]	1.41 [36.0]

Standard Ranges

psi Ranges (A)					
Range Code	Specific Range	2 & 2 1/2" Dial Size		3 1/2" Dial Size	
		Figure Intervals	Minor Divisions	Figure Intervals	Minor Divisions
010	30" Hg to 0	5	1	5	0.5
020	30" Hg to 15 psi	10/3	2/0.5	10/5	0.5/0.5
030	30" Hg to 30 psi	10/5	2/1	10/5	1/1
040	30" Hg to 60 psi	10/10	5/2	10/10	2/1
050	30" Hg to 100 psi	30/10	5/2	30/20	2/2
060	30" Hg to 150 psi	30/30	5/5	30/20	5/2
070	30" Hg to 300 psi	30/30	5/10	30/50	5/5
080	0 to 15 psi	3	0.5	3	0.2
090	0 to 30 psi	5	1	5	0.5
100	0 to 60 psi	10	2	10	1
110	0 to 100 psi	10	2	10	2
120	0 to 160 psi	20	2	20	2
130	0 to 200 psi	20	4	20	2
140	0 to 300 psi	50	10	50	5
150	0 to 400 psi	50	10	50	5
160	0 to 600 psi	100	20	100	10
180	0 to 1000 psi	100	20	100	20
190	0 to 1500 psi	300	50	300	20
200	0 to 2000 psi	200	40	200	20
210	0 to 3000 psi	500	100	500	50
220	0 to 5000 psi	500	100	1000	100

For dual scale ranges specify the appropriate **Units of Measure: D (psi/kPa)** followed by the corresponding **A (psi) Range Code**