

766SS

Low Pressure Gauge • Stainless Steel Case

SPECIALTY GAUGES



766SS shown

- ▶ 4", 6" Dial Sizes
- ▶ ±1.6% Accuracy (4")
- ▶ ±2.0% Accuracy (6")
- ▶ Stainless Steel Case

The Trerice **766SS Series** Low Pressure Gauge is designed to accurately measure extreme low pressure conditions. This pressure gauge employs a diaphragm capsule sensing element to measure the low pressure. Case material and wetted parts are stainless steel.

- Optional features and case style variations available: Please consult the Options & Accessories Section for details.
- For correct use and application of all pressure gauges, please refer to: Pressure Gauge Standard ASME B40.100.

Specifications

Model

766SS

Dial Sizes 4", 6"

Wetted Parts

316L stainless steel diaphragm capsule, 316 stainless steel socket

Movement Brass

Connection Lower male or lower back male, 1/4 or 1/2 NPT

Case 304 stainless steel, satin finished, stem-mounted flangeless

Ring Bayonet type, 304 stainless steel

Window Clear glass

Pointer Plain, black finished

Dial Face Aluminum, white background with black graduations and markings

Accuracy 4" Dial Size: ±1.6% Full Scale
6" Dial Size: ±2.0% Full Scale

Maximum Temperature
212°F (100°C)

Approximate Shipping Weight

4" Dial Size:
1.4 lbs [0.64 kg]

6" Dial Size:
1.9 lbs [0.86 kg]

HOW TO ORDER

Sample Order Number: **766SS 40 02 L W 600**

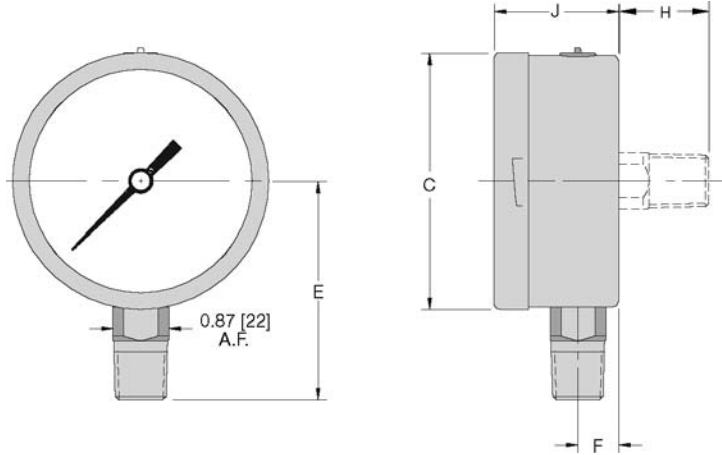
Model	Dial Size	Connection Size	Connection Location	Units of Measure	Range Code
766SS	40 4"	02 1/4 NPT	L Lower	T Pressure	See Standard Ranges
	60 6"	04 1/2 NPT	B Back	W Vacuum	

766SS

All dimensions are nominal. Dimensions in [] are in millimeters.

Low Pressure Gauge • Stainless Steel Case

SPECIALTY GAUGES



Dial Size	C	E	F	H	J
4" [100]	3.98 [101]	3.43 [87]	0.63 [16]	1.38 [35]	1.93 [49]
6" [150]	6.34 [161]	4.76 [121]	0.69 [18]	1.38 [35]	1.97 [50]

Standard Ranges

Pressure (T)			
Range Code	Specific Range	Figure Intervals	Minor Divisions
645	0/10 in. H ₂ O	1	0.1
650	0/15 in. H ₂ O	5	0.2
660	0/30 in. H ₂ O	5	0.5
670	0/60 in. H ₂ O	10	1
680	0/100 in. H ₂ O	10	1
690	0/160 in. H ₂ O	20	2
700	0/200 in. H ₂ O	20	2
720	0/300 in. H ₂ O	50	5
652	0/10 oz./in. ²	1	0.1
655	0/15 oz./in. ²	5	0.2
662	0/20 oz./in. ² & 0/34 in.H ₂ O	5	1
667	0/30 oz./in. ²	5	0.5
680	0/60 oz./in. ²	10	1
695	0/100 oz./in. ²	10	1
715	0/160 oz./in. ²	20	2
750	0/250 oz./in. ²	50	5
675	0/3 psi	0.5	0.05
685	0/5 psi	1	0.1
715	0/10 psi	1	0.1

Standard Ranges

Vacuum (W)			
Range Code	Specific Range	Figure Intervals	Minor Divisions
580	15/0 in. H ₂ O	5	0.2
600	30/0 in. H ₂ O	5	0.5
610	60/0 in. H ₂ O	10	1
620	100/0 in. H ₂ O	10	1
635	200/0 in. H ₂ O	20	2
595	15/0 oz./in. ²	5	0.2
605	30/0 oz./in. ²	5	0.5
620	60/0 oz./in. ²	10	1
633	100/0 oz./in. ²	10	1