

# 690 Series

## Multiple Stainless Steel Case Styles

COMMERCIAL • CONTRACTOR GAUGES



690B shown

- ▶ 3 1/2" Dial Size
- ▶ ±1.0% Accuracy
- ▶ Polished Stainless Steel Case
- ▶ Multiple Case Styles

Trerice **690 Series** Commercial Gauges are offered in a polished stainless steel case to provide the durability and styling required in OEM and other applications. This gauge is available in a variety of case styles. Wetted parts are a bronze tube with brass socket.

- Optional features available: Please consult the Options & Accessories Section for details.
- For correct use and application of all pressure gauges, please refer to: Pressure Gauge Standard ASME B40.100.

### Specifications

#### Models Case Styles/Material

<b>690B</b>	}	304 Stainless Steel, stem mounted (flangeless)
<b>691B</b>		
<b>692B</b>	}	304 Stainless Steel, surface mounted (back flanged)
<b>696B</b>		
<b>693B</b>	304 Stainless Steel, flush mounted (front flanged)	
<b>694B</b>	304 Stainless Steel, flush mounted (U-clamp)	

**Dial Size** 3 1/2"

#### Wetted Parts

Bronze tube, brass socket

**Movement** Brass

#### Connection **690B, 692B:**

Lower male, 1/4 NPT

#### **691B, 693B, 694B, 696B:**

Center back male, 1/4 NPT

**Window** Acrylic, snap-in

**Pointer** Adjustable, black finish

**Dial Face** Aluminum, white background with black graduations and markings

**Accuracy** ±1.0% Full Scale, ASME B40.100 Grade 1A

**Maximum Temperature**  
150°F (65°C)

#### Approximate Shipping Weight

690B, 691B, 692B, 696B:  
0.6 lbs [0.27 kg]

693B:  
0.8 lbs [0.36 kg]

694B:  
0.9 lbs [0.41 kg]

### HOW TO ORDER

Sample Order Number: **690B 35 02 L D 110**

Model	Dial Size	Connection Size	Connection Location	Units of Measure	Range Code
690B 691B 692B 693B 694B 696B	35 3 1/2"	02 1/4 NPT	L Lower * B Back **	D psi/kPa A psi B kPa	See Standard Ranges

\* For Models 690B & 692B only

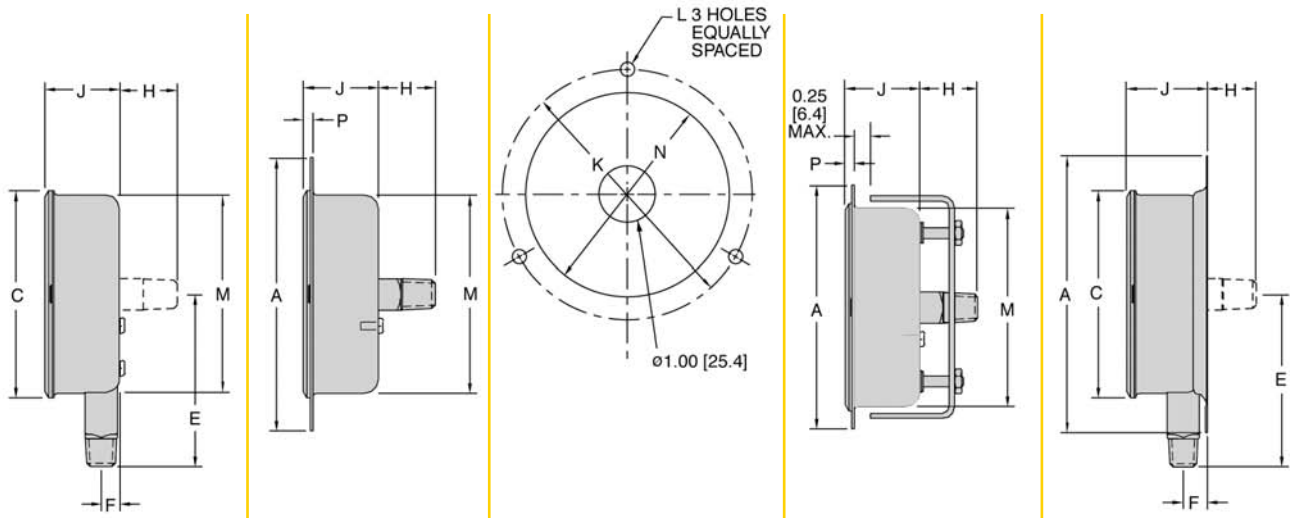
\*\* For Models 691B, 693B, 694B & 696B only

# 690 Series

## Multiple Stainless Steel Case Styles

All dimensions are nominal. Dimensions in [ ] are in millimeters.

COMMERCIAL • CONTRACTOR GAUGES



**690B / 691B**

**693B**

**692B / 693B / 696B**

**694B**

**692B / 696B**

Model	A	C	E	F	H	J	K	L	M	N	P
690B	N/A	3.67 [93.2]	3.06 [77.8]	0.32 [8.2]	N/A	1.33 [33.8]	N/A	N/A	3.51 [89.2]	N/A	0.17 [4.3]
691B	N/A	3.67 [93.2]	N/A	N/A	1.01 [25.8]	1.33 [33.8]	N/A	N/A	3.51 [89.2]	N/A	0.17 [4.3]
692B	4.91 [124.7]	3.67 [93.2]	3.06 [77.8]	0.43 [11]	0.90 [23.0]	1.44 [36.6]	4.50 [114.3]	0.25 [6.4]	N/A	N/A	N/A
693B	4.84 [122.9]	N/A	N/A	N/A	1.01 [25.8]	1.33 [33.8]	4.44 [112.8]	0.25 [6.4]	3.51 [89.2]	3.62 [92]	0.17 [4.3]
694B	4.31 [109.5]	N/A	N/A	N/A	1.01 [25.8]	1.33 [33.8]	N/A	N/A	3.51 [89.2]	3.62 [92]	0.17 [4.3]
696B	4.91 [124.7]	3.67 [93.2]	N/A	N/A	0.90 [23]	1.44 [36.6]	4.50 [114.3]	0.25 [6.4]	N/A	N/A	N/A

### Standard Ranges

Range Code	psi/kPa Ranges (D)		psi (A)		kPa (B)	
	Specific Range (psi)		Figure Intervals	Minor Divisions	Figure Intervals	Minor Divisions
010	30" Hg to 0 / -100 to 0 kPa		5	0.5	10	2
020	30" Hg to 15 psi / -100 to 100 kPa		10/5	1/0.5	20	2
030	30" Hg to 30 psi / -100 to 200 kPa		10/5	1/1	50	5
040	30" Hg to 60 psi / -100 to 400 kPa		30/10	2/1	100	10
050	30" Hg to 100 psi / -100 to 700 kPa		30/20	2/2	100	10
060	30" Hg to 150 psi / -100 to 1000 kPa		30/20	5/2	100/200	20
070	30" Hg to 300 psi / -100 to 2000 kPa		30/50	10/5	100/200	20
080	0 to 15 psi / 0 to 100 kPa		2	0.2	10	2
090	0 to 30 psi / 0 to 200 kPa		5	0.5	20	2
100	0 to 60 psi / 0 to 400 kPa		10	1	50	5
110	0 to 100 psi / 0 to 700 kPa		10	2	100	10
120	0 to 160 psi / 0 to 1100 kPa		20	2	100	20
130	0 to 200 psi / 0 to 1400 kPa		20	2	200	20
140	0 to 300 psi / 0 to 2000 kPa		50	5	200	20
150	0 to 400 psi / 0 to 2800 kPa		50	5	400	50
160	0 to 600 psi / 0 to 4000 kPa		100	10	500	50
180	0 to 1000 psi / 0 to 7000 kPa		200	20	1000	100

Other pressure ranges are also available including: Altitude, Refrigerant and Receiver. Consult Special Application Ranges section or factory for availability.