

# Solenoid Valve

## 960 Series



960WA44 shown

- ▶ 1/8" through 3" Valve Sizes
- ▶ 2-Way Single Seat or 3-Way
- ▶ Piston Pilot Operated
- ▶ Threaded Ends

The Trerice **960 Series Solenoid Valve** is particularly suited for use with electric contact controllers. This packless, self-contained valve is designed to operate on a minimum of current and can be used for air, steam, water, oil other liquids that are not corrosive to brass. The valve is opened and closed by a balancing piston and is controlled by a small pilot valve. The Series 960 should always be mounted to a horizontal pipeline with the coil in an upright position.

**For optimal performance, the service conditions of the application must be considered when selecting a solenoid valve. Improper application may cause failure of the valve, resulting in possible personal injury or property damage.**

### How to Order

Please order using the Item Number listed.

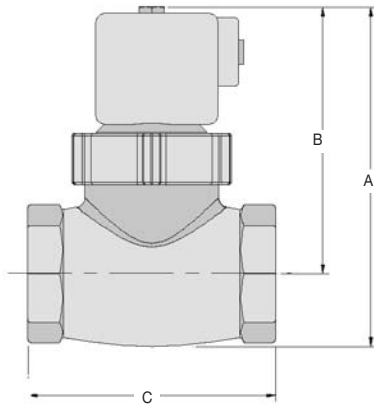
### Specifications

Model	Type	Coil	Service	Minimum Δ P	Maximum Temperature	Item Number	Pipe Size	C <sub>v</sub>	Approximate Shipping Weight						
960WB	General service, normally closed, bronze body, Viton seat screw	120 Vac/60 Hz, 3/8 - 2 NPT: NEMA 4X 2 1/2 - 3 NPT: NEMA 1	Water, air, oil (<400 SSU), 125 PSI max.	5 PSI	220°F (104°C)	960WB44	3/8 NPT	2.9	3.0 lbs [1.36 kg]						
						960WB55	1/2 NPT	3.6	3.0 lbs [1.36 kg]						
						960WB66	3/4 NPT	6.8	4.0 lbs [1.82 kg]						
						960WB77	1 NPT	11.5	5.0 lbs [2.27 kg]						
						960WB88	1 1/4 NPT	18	7.0 lbs [3.18 kg]						
						960WB99	1 1/2 NPT	26	9.0 lbs [4.09 kg]						
						960WB10	2 NPT	48	14 lbs [6.36 kg]						
						960WB11	2 1/2 NPT	75	22 lbs [10.0 kg]						
						960WB13	3 NPT	100	35 lbs [15.9 kg]						
						960SB	High temperature, normally closed, bronze body, Teflon seat screw	120 Vac/60 Hz, 3/8 - 2 NPT: NEMA 4X 2 1/2 - 3 NPT: NEMA 1	Steam, water, air, oil (<400 SSU), 125 PSI max.	5 PSI	356°F (180°C)	960SB44	3/8 NPT	2.9	3.0 lbs [1.36 kg]
												960SB55	1/2 NPT	3.6	3.0 lbs [1.36 kg]
												960SB66	3/4 NPT	6.8	4.0 lbs [1.82 kg]
												960SB77	1 NPT	11.5	5.0 lbs [2.27 kg]
960SB88	1 1/4 NPT	18	7.0 lbs [3.18 kg]												
960SB99	1 1/2 NPT	26	9.0 lbs [4.09 kg]												
960SB10	2 NPT	48	14 lbs [6.36 kg]												
960SB11	2 1/2 NPT	75	22 lbs [10.0 kg]												
960SB13	3 NPT	100	35 lbs [15.9 kg]												
960WA	General service, normally open, bronze body, Teflon seat screw	120 Vac/60 Hz, NEMA 1	Water, air, oil (<400 SSU), 300 PSI max.	10 PSI	300°F (149°C)							960WA44	3/8 NPT	2.9	4.0 lbs [1.82 kg]
												960WA55	1/2 NPT	3.6	4.0 lbs [1.82 kg]
												960WA66	3/4 NPT	6.8	5.0 lbs [2.27 kg]
												960WA77	1 NPT	11.5	6.0 lbs [2.73 kg]
						960WA88	1 1/4 NPT	18	8.0 lbs [3.64 kg]						
						960WA99	1 1/2 NPT	26	10 lbs [4.55 kg]						
						960WA10	2 NPT	48	15 lbs [6.82 kg]						
						960WA11	2 1/2 NPT	75	22 lbs [10.0 kg]						
						960WA13	3 NPT	100	35 lbs [15.9 kg]						
						960SA	High temperature, normally open, bronze body, Teflon seat screw	120 Vac/60 Hz, NEMA 1	Steam, water, air, oil (<400 SSU), 150 PSI max.	5 PSI	450°F (232°C)	960SA44	3/8 NPT	2.9	4.0 lbs [1.82 kg]
												960SA55	1/2 NPT	3.6	4.0 lbs [1.82 kg]
												960SA66	3/4 NPT	6.8	5.0 lbs [2.27 kg]
												960SA77	1 NPT	11.5	6.0 lbs [2.73 kg]
960SA88	1 1/4 NPT	18	8.0 lbs [3.64 kg]												
960SA99	1 1/2 NPT	26	10 lbs [4.55 kg]												
960SA10	2 NPT	48	15 lbs [6.82 kg]												
960SA11	2 1/2 NPT	75	22 lbs [10.0 kg]												
960SA13	3 NPT	100	35 lbs [15.9 kg]												
960WU	General service, 3-way, brass body	120 Vac/60 Hz, NEMA 1	Water, air, oil (<300 SSU), 50 PSI max.	N/A	180°F (82°C)							960WU1Z	1/8 NPT	.12	1.5 lbs [0.68 kg]
												960WU3Z	1/4 NPT	.12	2.0 lbs [0.91 kg]

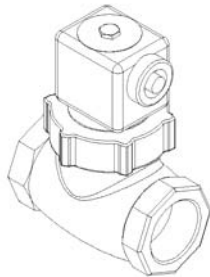
# Solenoid Valve

## 960 Series

All dimensions are nominal. Dimensions in [ ] are in millimeters



### STYLE "S"



### STYLE "R"



### STYLE "T"



Item Number	Style	A		B		C	
		in.	mm	in.	mm	in.	mm
960WB44	S	5.12	130	4.25	108	2.75	70
960WB55	S	5.12	130	4.25	108	2.75	70
960WB66	S	5.50	140	4.50	114	3.25	83
960WB77	S	5.75	146	4.56	116	3.81	97
960WB88	S	6.50	165	5.06	129	4.25	108
960WB99	S	7.06	179	5.38	137	4.88	124
960WB10	S	8.00	203	5.88	149	5.88	149
960WB11	R	9.81	249	7.94	202	7.00	178
960WB13	R	10.88	276	8.06	205	8.25	210

960SB44	S	5.12	130	4.25	108	2.75	70
960SB55	S	5.12	130	4.25	108	2.75	70
960SB66	S	5.50	140	4.50	114	3.25	83
960SB77	S	5.75	146	4.56	116	3.81	97
960SB88	S	6.50	165	5.06	129	4.25	108
960SB99	S	7.06	179	5.38	137	4.88	124
960SB10	S	8.00	203	5.88	149	5.88	149
960SB11	R	9.81	249	7.94	202	7.00	178
960SB13	R	10.88	276	8.06	205	8.25	210

960WA44	R	7.44	189	6.56	167	2.75	70
960WA55	R	7.44	189	6.56	167	2.75	70
960WA66	R	7.88	200	6.88	175	3.25	83
960WA77	R	8.12	206	6.94	176	3.81	97
960WA88	R	8.69	221	7.31	186	4.25	108
960WA99	R	9.44	240	7.75	197	4.88	124
960WA10	R	10.56	268	8.44	214	5.88	149
960WA11	R	10.81	275	8.38	213	7.00	178
960WA13	R	11.56	294	8.56	217	8.25	210

960SA44	R	7.44	189	6.56	167	2.75	70
960SA55	R	7.44	189	6.56	167	2.75	70
960SA66	R	7.88	200	6.88	175	3.25	83
960SA77	R	8.12	206	6.94	176	3.81	97
960SA88	R	8.69	221	7.31	186	4.25	108
960SA99	R	9.44	240	7.75	197	4.88	124
960SA10	R	10.56	268	8.44	214	5.88	149
960SA11	R	10.81	275	8.38	213	7.00	178
960SA13	R	11.56	294	8.56	217	8.25	210

960WU1Z	T	3.16	80	2.19	56	1.19	30
960WU3Z	T	3.16	80	2.19	56	1.19	30