

# Enclosure TA302



- ▶ Polycarbonate Construction
- ▶ Aluminum Mounting Panel
- ▶ Termination Compartment
- ▶ NEMA 12 Protection

The Terrice **TA302 Enclosure** is ideal for mounting a Terrice Electronic Controller or Digital Indicator. The enclosure is constructed from rugged, impact-resistant polycarbonate and furnished with an anodized aluminum front mounting panel. It can accommodate all Terrice Electronic Control and Indicating devices.

## Specifications

### Model

TA302

**Size** 14.3" x 12.4" x 6.1"  
(363 x 316 x 156 mm)

### Application

Fits all electronic controls and indicating devices

### Mounting

Surface

### Body and Cover

Polycarbonate enclosure body and transparent cover

### Hinges

Polyamide, removable for left or right side mounting

### Knockouts

2 x 0.85" and 2 x 1.09"

### Front Panel

Anodized aluminum

### Protection

NEMA 12

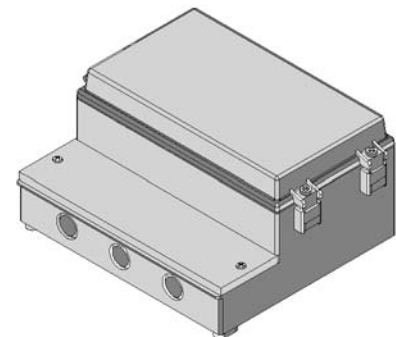
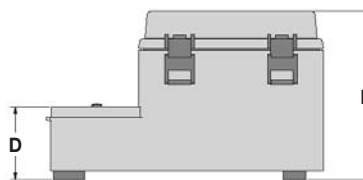
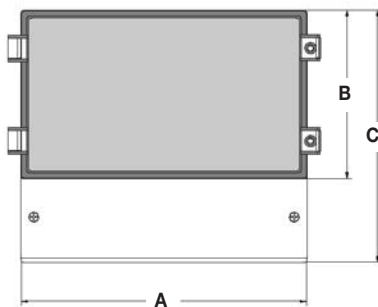
### Ambient Temperature

175°F (80°C) maximum

### Approximate Shipping Weight

5.5 lbs [2.50 kg]

All dimensions are nominal. Dimensions in [ ] are in millimeters.



A	B	C	D	E
14.3 [363]	9.2 [234]	12.4 [316]	3.0 [78]	6.1 [156]