

# 988 Series Pressure Regulator

for Steam Service

PRESSURE REGULATORS



- ▶ Cast-Iron Construction
- ▶ Stainless Steel Seat & Disc
- ▶ 1/2" - 2" Sizes
- ▶ Sensitivity Adjuster

988 shown

The Trerice **988 Series** Pressure Regulator, designed for steam service, provides a sensitive response to reduced pressure changes and delivers the fullest possible volume without an appreciable reduced pressure drop. The 988 includes a spring-loaded diaphragm that can be externally adjusted by the operator to provide a uniform outlet pressure. This regulator is intended for use in testing fixtures, autoclaves, steam tables, vulcanizers, sterilizers and other process applications. It features a "sensitivity adjuster," which can be used to eliminate any vibrating or chattering caused by critical flow requirements.

For optimal performance, the service conditions (medium, flow, temperature, inlet and outlet pressures) of the application must be considered when selecting a valve. Please refer to the Valve Selection Section of this catalog. Improper application may cause failure of the valve, resulting in possible personal injury or property damage.

## Specifications

### Model

988

**Body** Cast-Iron

**Diaphragm** Laminated bronze

**Trim** Valve Disc: Stainless steel  
Seat: Stainless steel

**Strainer** Stainless steel

**Maximum Inlet Pressure**  
200 psi

**Operating Temperature**  
Maximum: 387°F (197°C)

## HOW TO ORDER

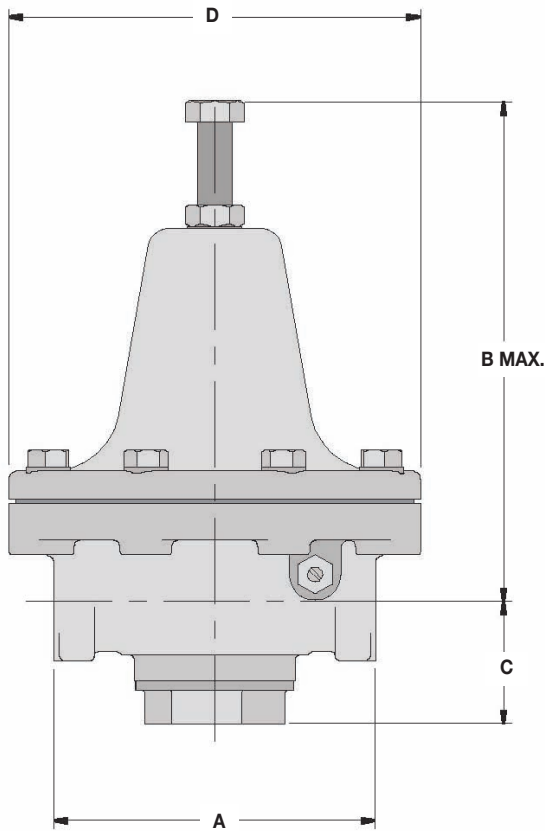
Sample Order Number: **988 O8 B**

Model	Connection Size (NPT)	Reduced Pressure Range
988	04 1/2 NPT	A 3 to 15 psi B 10 to 30 psi C 30 to 140 psi
	06 3/4 NPT	
	08 1 NPT	
	10 1 1/4 NPT	1/2 - 1 1/4 NPT Connection Size only.
12 1 1/2 NPT	16 2 NPT	D 5 to 40 psi
		E 30 to 100 psi

# 988 Series Pressure Regulator

All dimensions are nominal. Dimensions in [ ] are in millimeters

PRESSURE REGULATORS



Size (NPT)	A	B	C	D	Approximate Shipping Weight
1/2	4.7 [119]	7.0 [178]	1.9 [48]	6.0 [152]	11 lbs [5.0 kg]
3/4	4.7 [119]	7.0 [178]	1.9 [48]	6.0 [152]	11 lbs [5.0 kg]
1	5.6 [142]	7.5 [191]	2.2 [56]	7.5 [191]	20 lbs [9.1 kg]
1 1/4	5.6 [142]	7.5 [191]	2.2 [56]	7.5 [191]	20 lbs [9.1 kg]
1 1/2	6.6 [168]	11.3 [287]	2.8 [71]	9.0 [229]	40 lbs [18 kg]
2	6.6 [168]	11.3 [287]	2.8 [71]	9.0 [229]	40 lbs [18 kg]

## Steam in Pounds Per Hour (pph)

Inlet Pressure (psig)	Reduced Pressure (psig)	Valve Size (NPT)					
		1/2	3/4	1	1 1/4	1 1/2	2
10	5	27	94	133	146	208	240
	10	40	142	200	220	312	360
20	5	27	94	133	146	208	240
	10	40	142	200	220	312	360
30	5	27	94	133	146	208	240
	10	40	142	200	220	312	360
40	5	27	94	133	146	208	240
	10	40	142	200	220	312	360
50	5	27	94	133	146	208	240
	10	40	142	200	220	312	360
60	5	27	94	133	146	208	240
	10	40	142	200	220	312	360
70	5	27	94	133	146	208	240
	10	40	142	200	220	312	360
80	5	27	94	133	146	208	240
	10	40	142	200	220	312	360
90	5	27	94	133	146	208	240
	10	40	142	200	220	312	360
100	5	27	94	133	146	208	240
	10	40	142	200	220	312	360
120	5	27	94	133	146	208	240
	10	40	142	200	220	312	360
140	5	27	94	133	146	208	240
	10	40	142	200	220	312	360
160	5	27	94	133	146	208	240
	10	40	142	200	220	312	360
180	5	27	94	133	146	208	240
	10	40	142	200	220	312	360
200	5	27	94	133	146	208	240
	10	40	142	200	220	312	360