

Valve Body Selection

(for 940 Series Heavy Duty Control Valve)

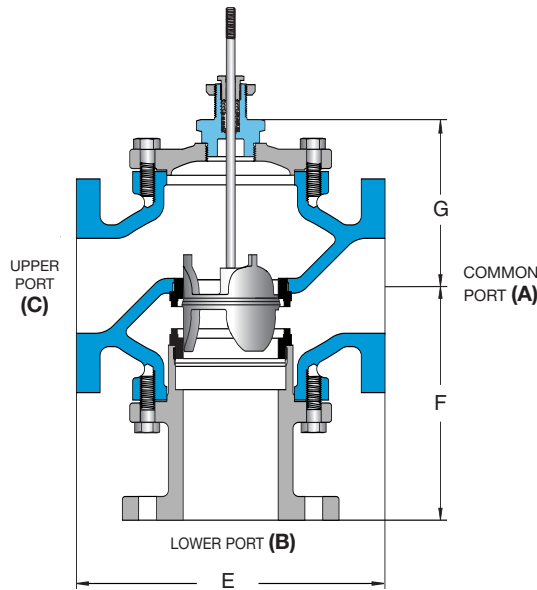
CAST IRON

3-WAY • 2 1/2" – 8"

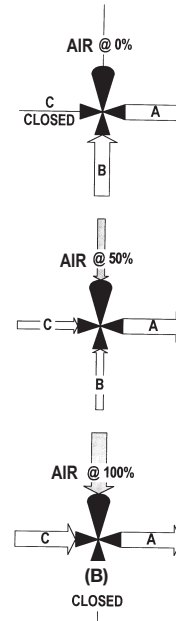
All dimensions are nominal. Dimensions in [] are in millimeters.

CONTROL VALVES

Mixing



MIXING FLOW DIAGRAM



Mixing Size	Class 125			Class 250		
	E	F	G	E	F	G
2 1/2"	9.0 [229]	7.1 [180]	5.5 [140]	9.6 [244]	7.4 [188]	5.5 [140]
3"	10.0 [254]	8.0 [203]	6.1 [155]	10.8 [274]	8.4 [213]	6.1 [155]
4"	13.0 [330]	9.9 [251]	7.1 [180]	13.6 [345]	10.3 [262]	7.1 [180]
5"	15.8 [401]	9.3 [236]	6.0 [152]	16.6 [422]	10.4 [264]	6.0 [152]
6"	17.8 [452]	9.9 [251]	6.8 [173]	18.6 [472]	11.0 [279]	6.8 [173]
8"	16.3 [414]	11.9 [302]	8.6 [218]	16.3 [414]	12.4 [315]	8.6 [218]

Trerice 3-Way Valves are not designed for use in steam applications.

To properly control the mixing of two flows, inlet pressures at ports B and C should be as equal as possible.

Specifications

Body Material	Trim Material	Trim Style	Connection	Pressure & Temperature Rating
Cast-iron	Stainless steel	Linear	Class 125 flanged Class 250 flanged	125 PSI @ 350°F (176°C) 250 PSI @ 400°F (204°C)

Valve Body Selection

Mixing				Maximum Close-Off Pressure (psid)				Approximate* Shipping Wt.
Class 125	Class 250	Size	C _v	Actuator				
Valve Body Number				940B	940B w/Positioner	940C	940C w/Positioner	
P75	Q75	2 1/2"	65	20	111	44	185	62 lbs [30 kg]
P80	Q80	3"	85	11	75	28	126	80 lbs [36 kg]
P85	Q85	4"	190	4	40	13	68	140 lbs [64 kg]
P90	Q90	5"	240	x	24	7	42	157 lbs [71 kg]
P95	Q95	6"	305	x	15	4	28	203 lbs [92 kg]
P100	Q100	8"	450	x	x	3	27	324 lbs [148 kg]

* Shipping weights shown are for Class 125 Valves. Consult factory for Class 250 valve weights.

CAST IRON

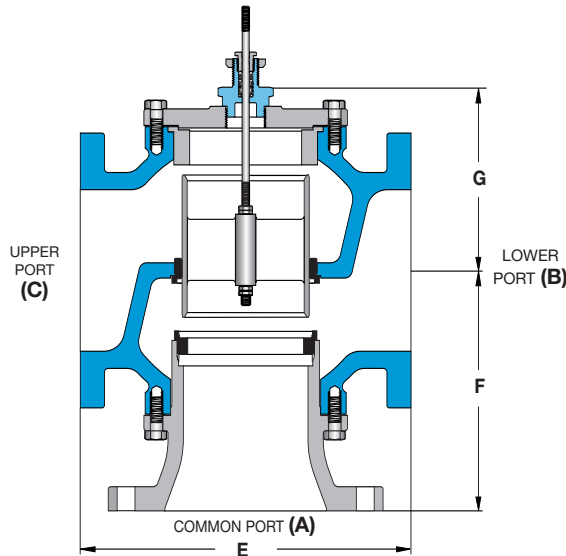
Valve Body Selection (for 940 Series Heavy Duty Control Valve)

All dimensions are nominal. Dimensions in [] are in millimeters.

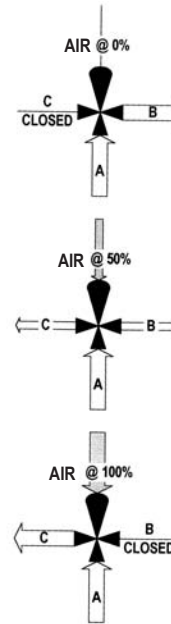
3-WAY • 2 1/2" – 8"

CONTROL VALVES

Diverting



**DIVERTING
FLOW DIAGRAM**



Diverting Size	Class 125			Class 250		
	E	F	G	E	F	G
2 1/2"	9.0 [229]	7.1 [180]	5.5 [140]	9.6 [244]	7.4 [188]	5.5 [140]
3"	10.0 [254]	8.0 [203]	6.1 [155]	10.8 [274]	8.4 [213]	6.1 [155]
4"	13.0 [330]	9.9 [251]	7.1 [180]	13.6 [345]	10.3 [262]	7.1 [180]
5"	12.0 [305]	10.5 [267]	7.5 [191]	12.9 [328]	11.0 [279]	7.5 [191]
6"	14.1 [358]	11.1 [282]	7.9 [201]	14.5 [368]	11.5 [292]	7.9 [201]
8"	16.3 [414]	11.9 [302]	8.6 [218]	16.3 [414]	12.4 [315]	8.6 [218]

Trerice 3-Way Valves are not designed for use in steam applications.

To properly control the mixing of two flows, inlet pressures at ports B and C should be as equal as possible.

Specifications

Body Material	Trim Material	Trim Style	Connection	Pressure & Temperature Rating
Cast-iron	Bronze	Linear	Class 125 flanged Class 250 flanged	125 PSI @ 300°F (149°C) 250 PSI @ 300°F (149°C)

Valve Body Selection

Diverting		Size	Cv	Maximum Close-Off Pressure (psid)				Approximate* Shipping Wt.
Class 125	Class 250			940B	940B w/Positioner	Actuator 940C	940C w/Positioner	
K75	L75	2 1/2"	68	x	125	x	x	62 lbs [30 kg]
K80	L80	3"	85	x	125	x	x	80 lbs [36 kg]
K85	L85	4"	160	x	125	x	x	140 lbs [64 kg]
K90	L90	5"	195	x	125	x	x	157 lbs [71 kg]
K95	L95	6"	270	x	x	x	125	203 lbs [92 kg]
K100	L100	8"	425	x	x	x	125	329 lbs [150 kg]

* Shipping weights shown are for Class 125 Valves. Consult factory for Class 250 valve weights.