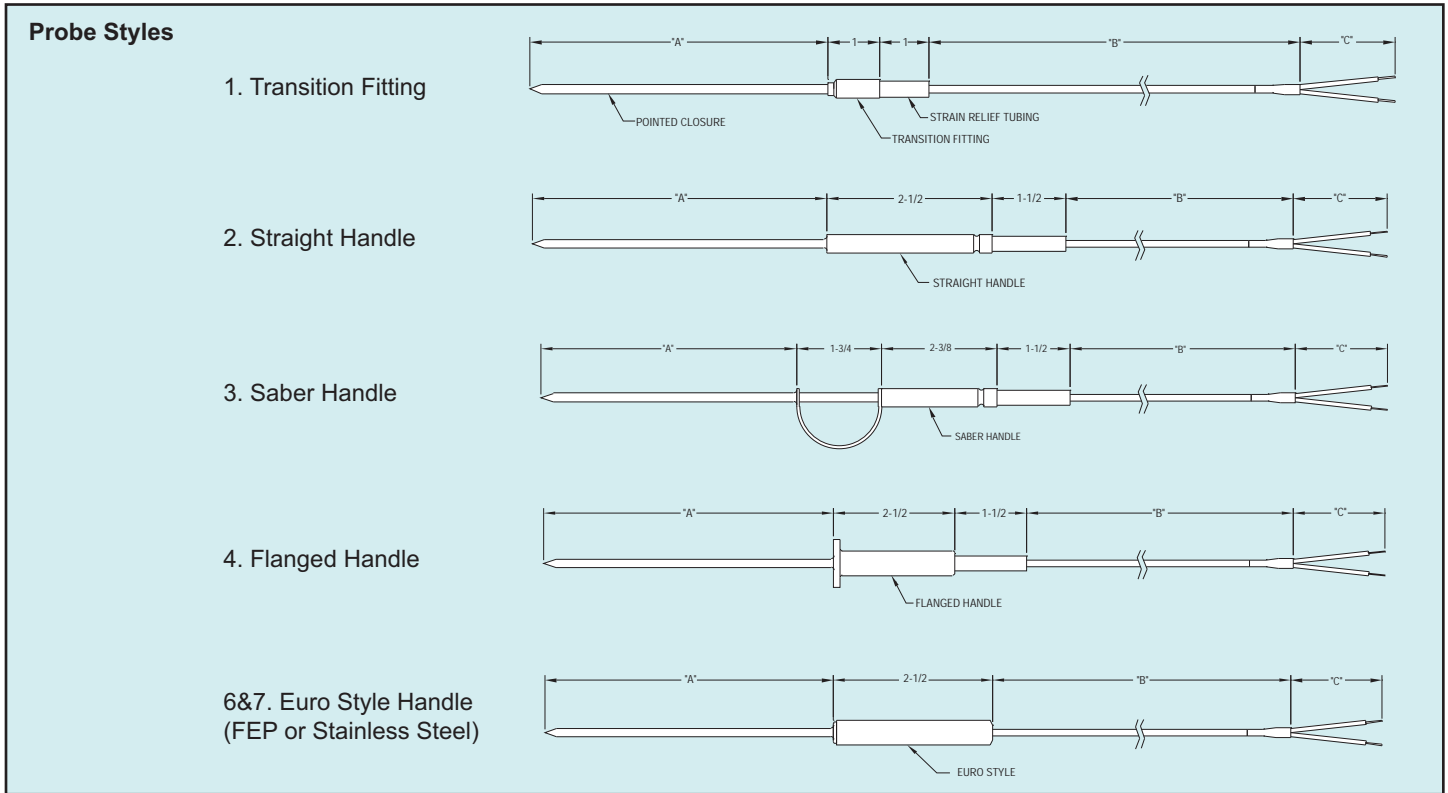




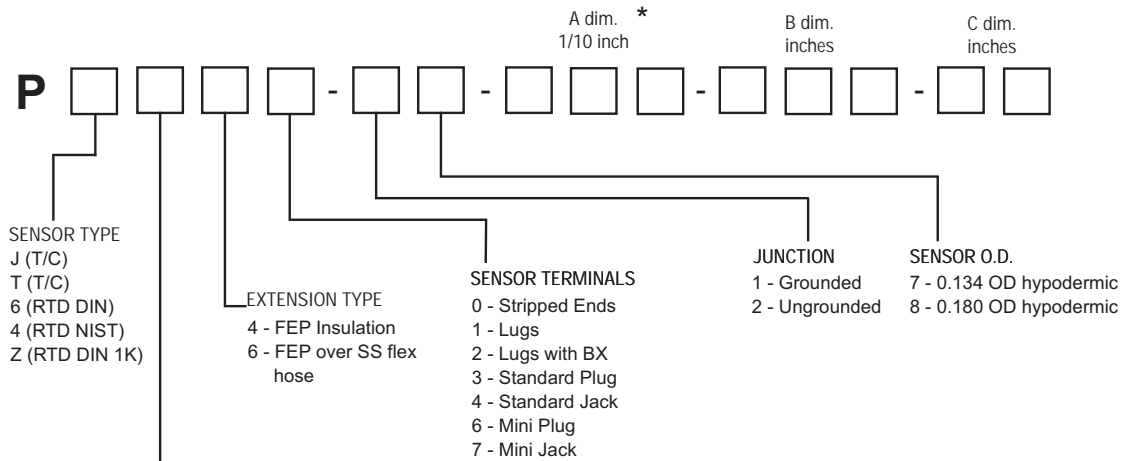
# Series P Penetration Probes

Monitor internal temperature of poultry, meat, fish, dough, and other fresh or slightly frozen food products. The Series P probes can also be used to penetrate soft process materials such as plastic compounds and rubber. The probes are constructed entirely of FDA compliant materials for use in sanitary applications.



**Model Coding - Series P Penetration Probes**

Fill in the appropriate numbers or letters to specify the probe of your choice. Fill in all boxes. If an item or dimension does not apply, fill those boxes with zeros '0'.



- PROBE STYLE**
- 1 - Standard transition fitting, SS
  - 2 - Straight handle, SS
  - 3 - Saber handle, SS
  - 4 - Flanged handle, SS
  - 6 - Euro Style, FEP
  - 7 - Euro Style, SS

\* "A" dimension maximum length is 12" (30 cm).

TEMPERATURE  
Temperature Sensors