



Series
LCI508
&
LCI608

Digital Panel Meters

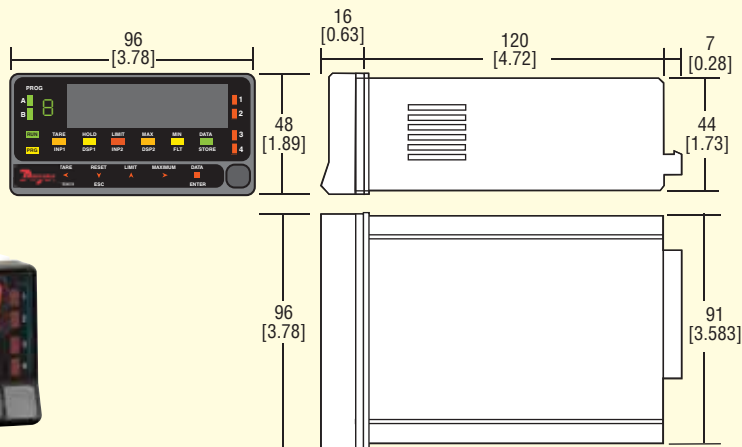
1/8 DIN, Process, Load Cell & Potentiometer Input



LCI508



LCI608



The Series LCI508/608 Digital Panel Meters offer high performance and a multitude of features for displaying and manipulating input variables. The unit accepts analog process input, load cell and potentiometer inputs. Standard features include data hold, peak and valley display, store function, tare function and reset. Both models offer a built-in excitation power supply. The Series LCI508/608 can be fitted with optional output modules for control capabilities. The Model LCI508 is designed with 31 programmable functions and a high conversion rate of 555 reads per second. Up to 30 points can be set using the multipoint scaling function for non linear applications. The Model LCI608 is designed for measuring and integrating analog signals containing two sets of information simultaneously (for example Flow and Totalization). The units can be configured to accept and display two analog input signals and allowing interaction between them. The model LCI608 offers 26 logical programmable functions.

Model LCI508-00, Panel Meter

Model LCI608-00, Panel Meter/Totalizer

ACCESSORIES

LCIA-01, Dual Relay Card. Two SPDT relays, 8A @ 240 VAC

LCIA-02, Quad Relay Card. Four SPST relays, 0.2A @ 240 VAC

LCIA-03, Quad Transistor Output Card. Four NPN optically coupled transistors, 50 mA @ 50 VDC max.

LCIA-04, Quad Transistor Output Card. Four PNP optically coupled transistors, 50 mA @ 50 VDC max.

LCIA-05, Analog Retransmission, 4 to 20 mA DC or 0 to 10 VDC, selectable.

LCIA-07, BCD Output Card.

LCIA-08, RS-232 Serial Communication (Modbus® Protocol)

LCIA-09, RS-485 Serial Communication (Modbus® Protocol)

MN-1, Mini-Node™ USB/RS-485 converter

SPECIFICATIONS

Input: Voltage process: ± 5 and ± 10 V (input impedance: $1\text{M}\Omega$); Voltage: ± 0 -1V (input impedance: $100\text{M}\Omega$); Current input: ± 0 -20 mA (input impedance: 11.8Ω).

Load-Cell:

Voltage input: ± 30 , ± 60 , ± 120 , ± 300 , ± 500 mV (input impedance: $100\text{M}\Omega$); 4-wires, unipolar or bipolar.

Potentiometer Input: Minimum resistance: 120Ω (input impedance: $>10\text{M}\Omega$). Excitation voltage: 2.2 V.

Excitation: 2.2 V @ 30 mA not adjustable. 24 V @ 30 mA not regulated. 5 V ± 100 mV @ 120 mA with fine adjust (50ppm/°C). 10 V ± 10 mV @ 120 mA with fine adjust (50ppm/°C).

Display: Main display: -9999/9999, 5 red digits, 7 segments. Aux. display: -9999999 / 9999999, 8 green digits 8 mm (LCI608 only).

Decimal point: Programmable (both displays).

Sampling Rate: LCI508: 555/s; LCI608: 100/s.

Accuracy: Error max: $\pm 0.1\%$ reading +2 digits.

Temperature Coefficient: 50 ppm/°C.

Warm up time: 10 minutes.

Power Requirements: 115/230VAC 50/60Hz. Consumption (without options): 5W.

Ambient Operating Temperature: 14 to 140°F (-10 to 60°C).

Storage Temperature Range: -13 to 185°F (-25 to 85°C).

Panel Cutout: 3.6 x 1.8" (92 x 45 mm).

Weight: 21 oz (600 g).

Case Material: s/UL 94 V-0 polycarbonate.

Front Panel Rating: NEMA 4X (IP65).