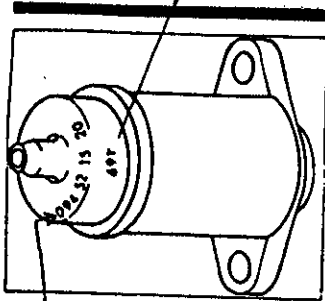


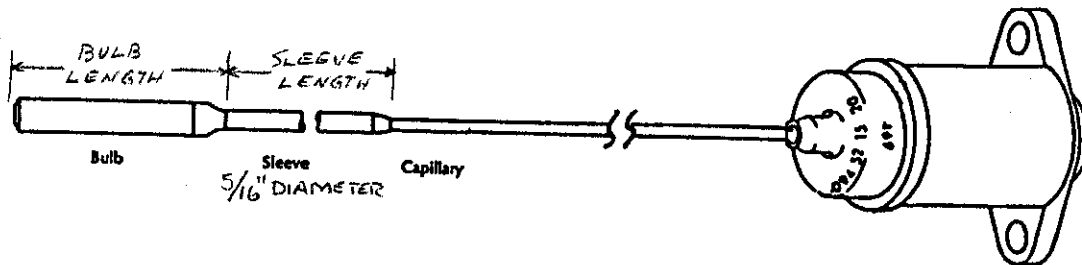
DATE CODE (Not necessary, except for warranty determination)



IDENTIFYING THE THERMAL SENSING ELEMENT

An element designation number is stamped on the **BOTTOM** of the element head. This is a coded description of the element specifications and should be used whenever a replacement element is ordered. The number appearing on the side of the element head is the element age code. This may be required in establishing warranty. *

PART NUMBER (Necessary)- P/N may be nine or more digits or a combination of letters and numbers (e.g. 445HK 10). → OLD STYLE P/N
 The current numbering system uses all numbers.
 If your P/N has letters and numbers, more information is needed. See below.



★ → PLEASE SUPPLY THE FOLLOWING INFORMATION IF YOU HAVE THE OLD STYLE P/N:

Bulb Diameter _____ Bulb Length _____ Capillary Length _____

5/16" Sleeve length (if installed) _____

Is there a coating on the bulb and capillary? If so, describe.

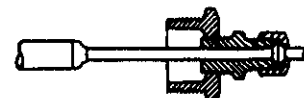
★ → Are there any fittings on the capillary to attach the bulb to a thermowell or other installation? If so, see options below and advise P/N _____ **ORDER CODE** _____

STUFFING BOXES

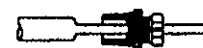
Not available if coating is selected

Type	Size (")	Order Code	Remarks
21-T-105 Capillary Only	1/4	02	Compression type fitting 300 psi pressure rating. Can only be installed at time of element fabrication
	3/8	03	
	1/2	04	
	3/4	05	
21-T-105 with 5/16" Sleeve	1/4	20	Compression type fitting 300 psi pressure rating. Can only be installed at time of element fabrication for 5/16" sleeve
	3/8	21	
	1/2	22	
	3/4	23	
T112 Capillary Only	3/8	54	Has slotted bushing to provide connection between capillary and bushing. Use on capillaries only. Non-pressure sealing.
	1/2	55	
	3/4	56	
131 with 5/16" Sleeve	3/8	78	For mech. holding of sleeve. Same construction as T-112. For use on all 5/16" sleeves. Non-pressure sealing.
	1/2	79	
	3/4	80	

21-T-105-SST



T-112C



Acc. 131C

