

# VB-222 Freeze Proof Self-Draining Hose Bibb Backflow Preventer

## DESCRIPTION

Cash Acme's Freeze Proof Self-Draining VB-222 Hose Bibb Backflow Preventer is so innovative that it holds a U.S. Patent for 22 design features.

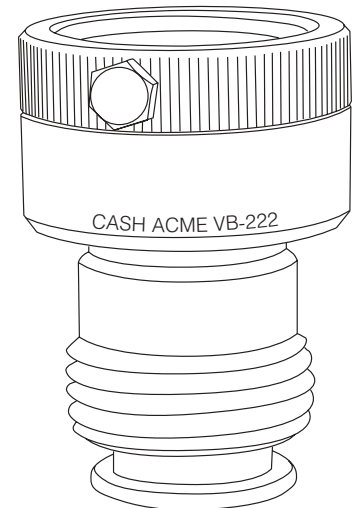
The Cash Acme VB-222, automatically self-drains when all attachments are removed from the valve's outlet. It is designed to prevent dangerous back-siphonage and backflow into a potable water supply system.

The self-draining feature also makes this valve "freeze-proof" to protect the valve and hydrant from rupturing in cold weather. Specifically designed for use around homes, schools, commercial buildings, laboratories and any place involving moveable hoses attached to threaded faucets, indoors or out, in any climate.

When a hose is connected to the **VB-222 Backflow Preventer**, it pushes the piston up into the operating position and the pusher post moves against the seat disc (no flow condition). When flow is introduced, the pusher post and seat disc move downward allowing flow through the valve and sealing the drain holes.

Under a backflow or back-siphonage condition, the pusher post and seat disc retract sealing the inlet and opening the drain holes to permit water to escape without entering the potable water supply.

When all connections to the **VB-222** are removed from the outlet of the valve, the piston retracts pulling the pusher post and disc away from the sealed position and thus allowing the valve to completely drain, preventing freezing.



## FEATURES AND BENEFITS

Prevents dangerous back-siphonage:

*Automatically self-drains when all attachments are removed completely from the valve's outlet.*

Freeze proof self-draining hose:

*Protects the valve and faucet from freezing and rupturing in cold weather.*

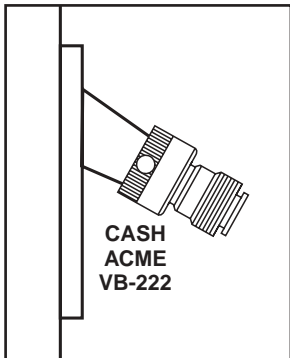
Listed by ASSE 1011, CSA and IAPMO:

*Inspector friendly, peace of mind!*

## Dial 1-800-876-0036

# VB-222 Freeze Proof Self-Draining Hose Bibb Backflow Preventer

## SPECIFICATION DATA



## SPECIFICATION DATA

**Performance:**

Service .....Water

**Materials:**

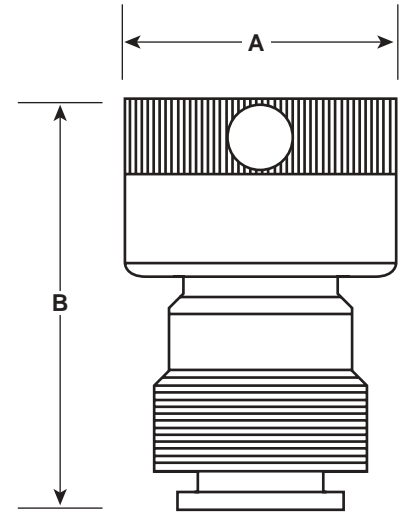
Body .....Brass  
 Spring Guide .....Buna-N  
 O-ring .....Buna-N  
 Seat Disc .....Buna-N  
 Spring .....Stainless steel

## CONNECTIONS

Hose .....3/4"

## CERTIFICATIONS

The **Cash Acme VB-222** is approved per ASSE Standard 1011 and CSA B64.2 and is listed by IAPMO, ASSE, CSA and the City of Los Angeles.



VB-222 Dimensions

Size	A	B
3/4"	1 5/16"	2"

Dial 1-800-876-0036