

# CQ-M Dual Control Valve For Competitive Installations

## DESCRIPTION

---

The Cash Acme CQ-M Dual Control Valve for Competitive Installations provides an economical asset to modern hot water space heating installations.

The Cash Acme CQ-M has a bronze body, large unrestricted waterways, diaphragms of special heat resistant composition, silicone relief disc, inbuilt stainless steel strainer and inbuilt check valve to prevent contaminated water backflow. And the poppet relief design provides over pressure protection. **Cash Acme's CQ-M** is available in a 1/2" size only.

## FEATURES AND BENEFITS

---

Poppet relief design:

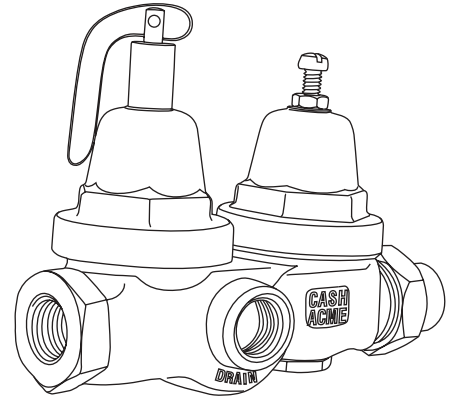
*Provides over-pressure protection.*

Every valve is tested for performance prior to shipping:

*Specify and install with confidence!*

Economical and exclusive design features:

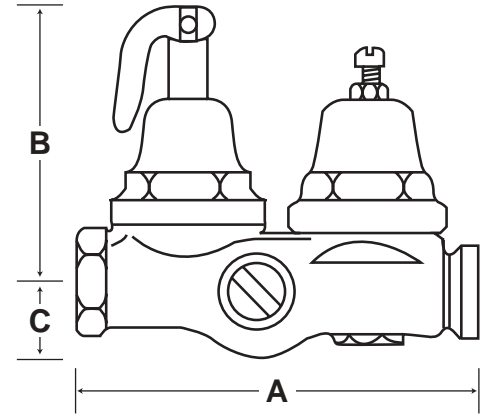
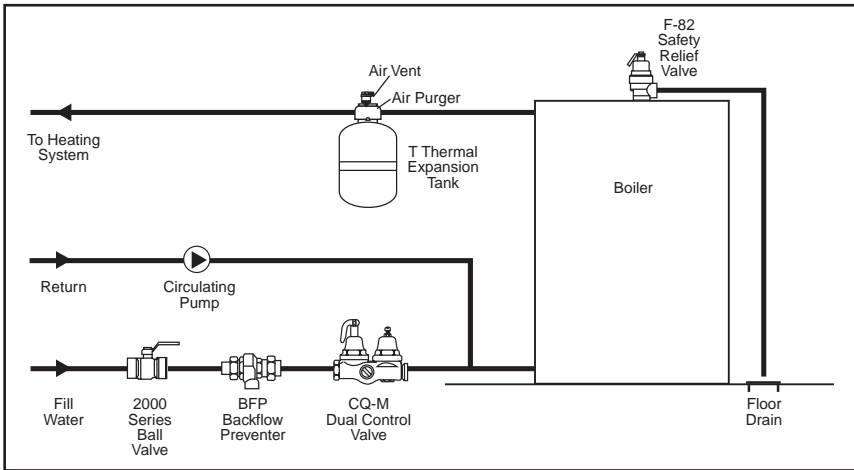
*Saves time and money!*



# CQ-M Dual Control Valve For Competitive Installations

## TYPICAL INSTALLATION

The Cash Acme **CQ-M Dual Control Valve** should be installed as close as possible to the top of the boiler and the cold water supply line connected to the inlet or regulator side of the valve. Incoming pressure enters the regulator and is reduced to the current operating pressure of the system, 14 psi.



Dimensions	A	B	C
1/2" Threaded	6 7/16"	4 1/8"	1"

## SPECIFICATION DATA

### Performance:

Outlet pressure range . . . . . 2 to 30 psi  
 Maximum temperature . . . . . 180° F  
 Maximum inlet pressure . . . . . 100 psi  
 Service . . . . . Water

### Materials:

Body: . . . . . Bronze  
 Strainer . . . . . Stainless steel  
 Springs . . . . . Spring steel  
 Seat Disc . . . . . Buna-N  
 Diaphragm . . . . . Buna-N/nylon

## CONNECTIONS

Threaded (NPT) . . . . . 1/2"  
 Sweat . . . . . 1/2"  
 Copper . . . . . 1/2"