

# CBL Hot Water Boiler Dual Control Valve

## DESCRIPTION

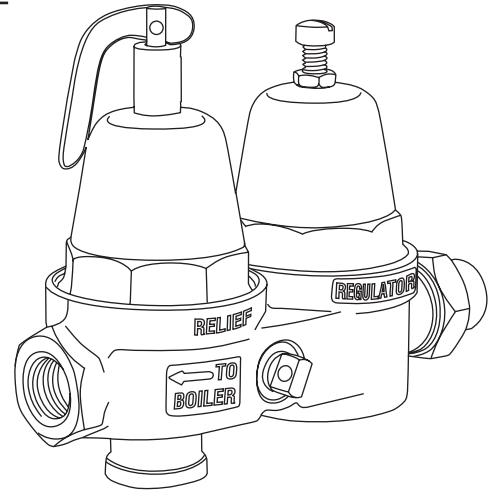
The Cash Acme CBL Deluxe Dual Control for hot water boilers is a popular solution for hot water space heating installations.

Cash Acme's CBL is a pressure reducing and regulating valve, a positive relief valve and a by-pass valve; all contained in one bronze body protected by a stainless steel strainer screen.

Installed on the supply line of a boiler, the **Cash Acme CBL** assures automatic filling, pressure regulation and safety control.

The regulator side of the valve reduces incoming water supply to the boiler to the required 14 lbs. operating pressure for a one, two or three story home. When the boiler is fired, pressure in the system rises due to thermal expansion. Normally, an expansion tank will "cushion" this pressure rise. However, if the expansion tank is water-logged or if the installation has no expansion tank, the relief side will open at 28 psi. If the pressure should go below 14 psi, the regulator will again open and refill the system automatically. An inbuilt check valve prevents backflow of contaminated boiler water into the potable water supply.

The **Cash Acme CBL** is bronze and includes an easy-to-clean stainless steel strainer, sensitive large area phosphor bronze diaphragms, inbuilt union for quick installation, nickel-chrome-bronze stick resisting relief body seat, renewable relief seat disc,  $\frac{3}{4}$ " female inlet and outlet. The **CBL** is available only for screwed connections. It also offers an inbuilt check valve to prevent backflow.



## FEATURES AND BENEFITS

Allows rapid filling of system:

*Saving hours of installation time.*

Permits use of wide opening but small seated regulator:

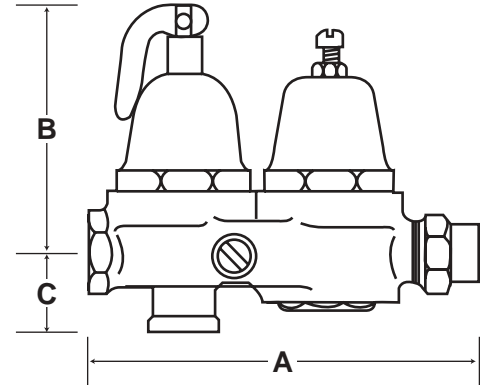
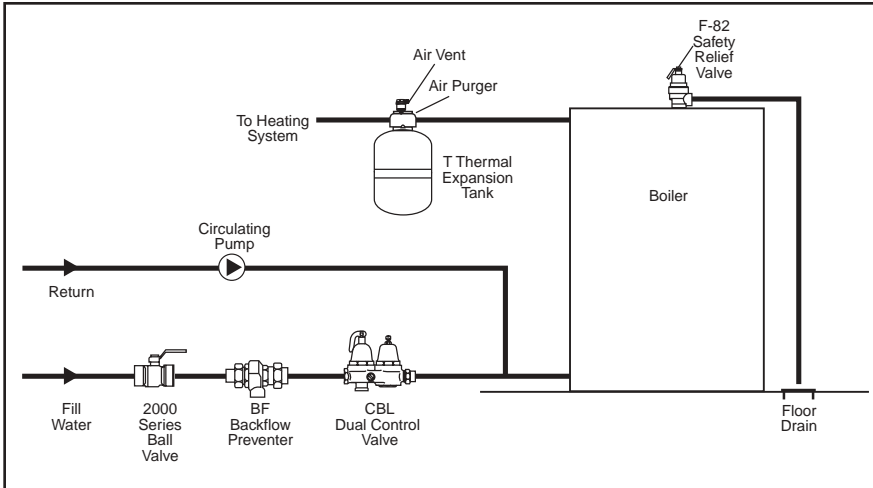
*Eliminates noise, prevents "wire drawing" and premature seat wear.*

Passes first-filling dirty water around the seat:

*Assuring a clean, good seating surface.*

# CBL Hot Water Boiler Dual Control Valve

## TYPICAL INSTALLATION



Dimensions	A	B	C
1/2"	7"	4 7/8"	1 7/16"

## SPECIFICATION DATA

### Performance:

Outlet pressure range . . . . . .2 to 30 psi  
 Maximum temperature . . . . . .180° F  
 Maximum inlet pressure . . . . . .100 psi  
 Service . . . . . .Water

### Materials:

Body . . . . . .Bronze  
 Body Seat . . . . . .Stainless steel  
 Springs . . . . . .Spring steel  
 O-rings . . . . . .Buna-N  
 Diaphragm . . . . . .Neoprene/Nylon

## CONNECTIONS

Threaded (NPT) . . . . . .1/2"