

# F-95 ASME Hot Water Safety Relief Valve

## DESCRIPTION

The Cash Acme F-95 Expanded Outlet Pressure Relief Valve offers a complete package of expanded boiler ASME safety relief valves in sizes ranging from 3/4" x 1" through 2" x 2 1/2".

This complete range of sizes provides for pressure protection for nearly all types of commercial and industrial OEM boilers and water heating system applications.

The **Cash Acme F-95** features an iron body construction, brass seat, silicone seat disc and EP diaphragms for high temperature applications. It also incorporates a pop-type action. The **F-95 Valves** are available with relief settings from 30 to 75 psi. Sizes available include 3/4" x 1", 1" x 1 1/4", 1 1/4" x 1 1/2", 1 1/2" x 2" and 2" x 2 1/2".

## FEATURES AND BENEFITS

Offers a complete package of expanded boiler safety relief valves in a range of sizes:

*Provides pressure protection for nearly all commercial/industrial OEM boilers and hot water heating system applications.*

Higher Capacity:

*Handles more volume with just one regulator.*

Listed by ASME:

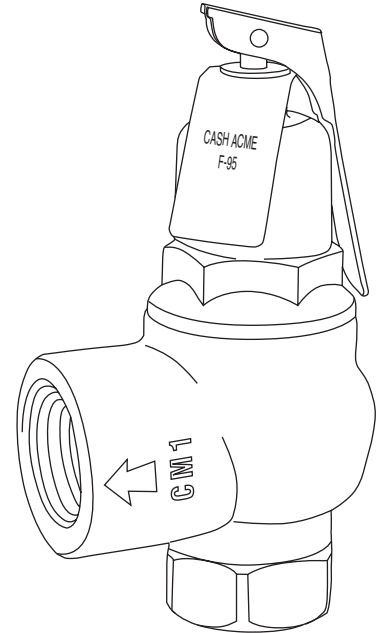
*Inspector friendly, peace of mind!*

Every valve is tested for performance prior to shipping:

*Specify and install with confidence.*

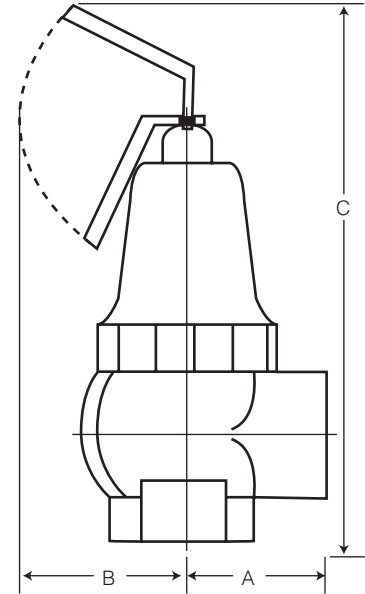
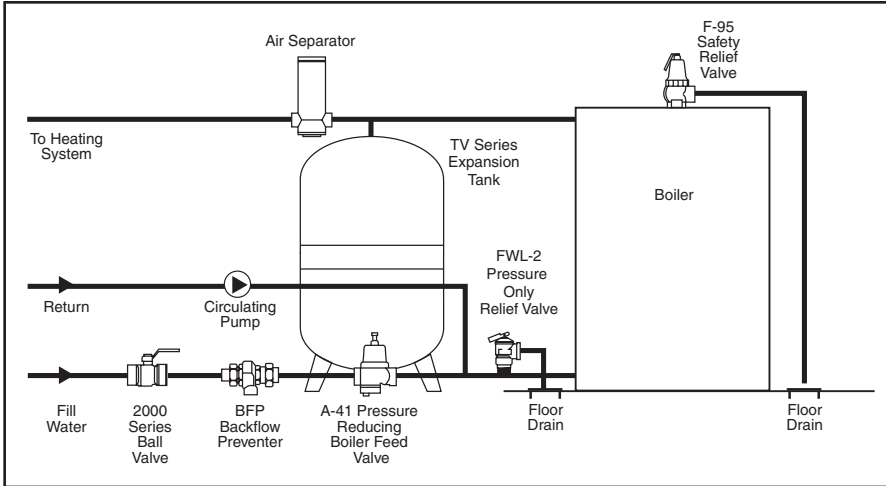
## SPECIFICATION

A relief valve shall be installed to relieve pressure at a pre-determined set. The valve shall have an iron-body with a female inlet and a female expanded outlet. The valve shall have a brass seat, silicone seat disc and an EP diaphragm for high temperature applications. The valve shall be ASME listed and National Board Certified. The valve shall be a **Cash Acme F-95**.



# F-95 ASME Hot Water Safety Relief Valve

## TYPICAL INSTALLATION



## SPECIFICATION DATA

### Performance:

Set pressure range . . . . .30-75 psi  
 Maximum temperature . . . . .210° F  
 Service . . . . .Water

### Materials:

Body . . . . .Iron  
 Seat . . . . .Brass  
 Seat Disc . . . . .Silicone  
 Spring . . . . .Stainless steel

Dimensions	A	B	C
3/4" x 1"	1 13/16"	2 13/32"	5 31/64"
1" x 1 1/4"	2 1/16"	2 13/32"	6 13/32"
1 1/4" x 1 1/2"	2 3/8"	3 3/32"	9 35/64"
1 1/2" x 2"	2 5/8"	3 5/64"	10 5/64"
2" x 2 1/2"	3 7/16"	3 1/2"	12 13/16"

## CONNECTIONS

Threaded (NPT) . . . . .Female inlet and female outlet

## CERTIFICATIONS

The Cash Acme F-95 Relief Valve is certified per ANSI Z21.22 and is listed by ASME.

ASME RATED HOT WATER SAFETY RELIEF VALVE (BTU/HR)					
Part #	19497	19499	19501	19503	19505
Set Pressure (npig)	3/4" x 1"	1" x 1-1/4"	1-1/4" x 1-1/2"	1-1/2" x 2"	2" x 2-1/2"
30	952,000	1,337,000	2,090,000	3,010,000	5,351,000
35	1,062,000	1,491,000	2,331,000	3,356,000	5,967,000
40	1,172,000	1,645,000	2,571,000	3,703,000	6,583,000
45	1,281,000	1,800,000	2,813,000	4,051,000	7,202,000
50	1,391,000	1,954,000	3,054,000	4,398,000	7,819,000
55	1,501,000	2,108,000	3,295,000	4,745,000	8,436,000
60	1,611,000	2,262,000	3,536,000	5,092,000	9,053,000
65	1,721,000	2,416,000	3,777,000	5,439,000	9,670,000
70	1,830,000	2,570,000	4,018,000	5,786,000	10,287,000
75	1,940,000	2,725,000	4,259,000	6,133,000	10,904,000