

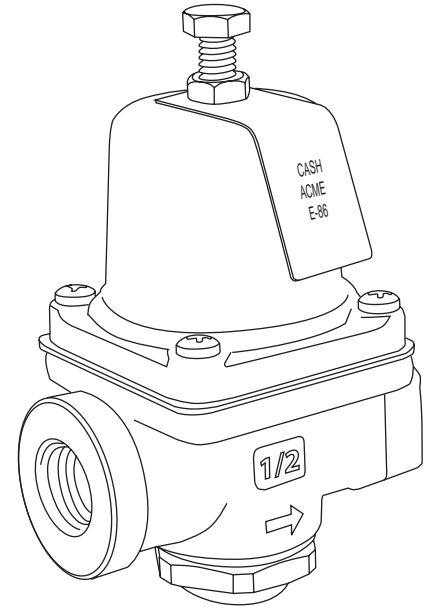
EB-86U and E-86 Domestic Water Regulating Valves

DESCRIPTION

Cash Acme's EB-86 Series is a group of compact pressure reducing and regulating valves designed for installations where small size and economy are important considerations.

The Cash Acme EB-86 Series is intended for use where supply line pressure does not exceed 400 psi (1/2" – 1") or 300 psi (1 1/2" – 2"). This regulator series is suitable for either cold or hot (to 180° F) water service.

The Cash Acme EB-86 Series is available in 1/2" to 2" size, and their rugged design and bronze body construction make them ideally suited for domestic water service. These valves are supplied by the factory with a standard delivery setting of 45 psi. The outlet pressure can be adjusted from 10-70 psi without changing the spring. The Cash Acme EB-86 Series Regulators feature a fully balanced piston and incorporate an inbuilt back-pass check which operates independently of the regulator. A wide range of valve connections enable these regulators to meet the installation requirements of most all domestic water systems.



FEATURES AND BENEFITS

Compact pressure reducing and regulating valves:
Designed for small size and economic considerations.

Rugged, bronze, robust body:
Superior reliability, improved user safety.

Listed by IAPMO, ASSE 1003 and CSA:
Inspector friendly, peace of mind.

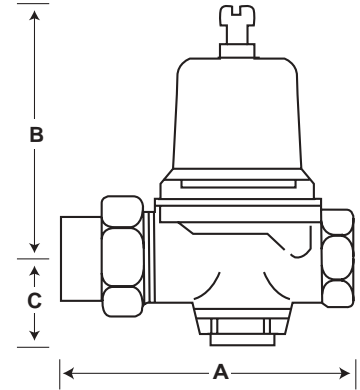
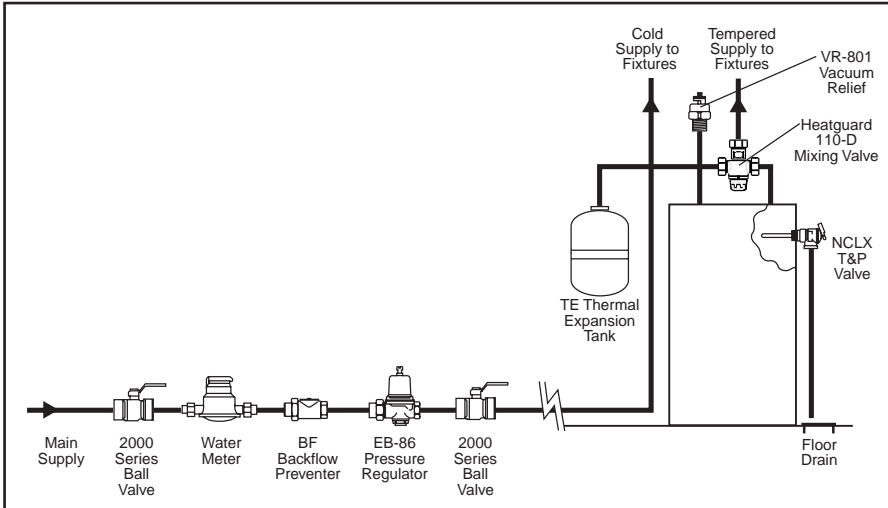
SPECIFICATION

A valve shall be installed to reduce water pressure. The valve shall be approved in accordance with ASSE standard 1003, CSA and IAPMO. The valve shall have a bronze body, brass and stainless steel internals, an EP diaphragm, stainless steel strainer screen and an inbuilt back-pass check. The valve shall be a **Cash Acme EB-86U or E-86**.

EB-86U and E-86 Domestic Water Regulating Valves

TYPICAL INSTALLATION

If possible, regulators should be installed in the horizontal position with the spring chamber upright. For other installation requirements consult the factory.



EB-86U

Dimensions	A	B	C
1/2" Union	3 5/32"	3 31/32"	1 13/32"
3/4" Union	3 7/16"	3 13/16"	1 9/16"
1" Union	4"	4 3/8"	1 13/32"
1 1/4" Union	–	6 7/8"	2"
1 1/2" Union	–	8 1/2"	2 3/16"
2" Union	–	10 11/16"	2 5/8"

SPECIFICATION DATA

Performance:

- Outlet pressure range 10-70 psi
- Maximum temperature 180° F (82° C)
- Maximum inlet pressure 400 psi for 1/2", 3/4" and also available
for 300 psi, consult factory
- Service Water

Materials:

- Body Bronze
- Spring Housing Iron
- Piston Brass
- Body Seat Stainless steel
- Piston Spring Stainless steel
- Strainer Screen Stainless steel
- Seat Disc EP
- O-Ring EP
- Diaphragm EP and Nylon
- Bottom Plug Bronze
- Adjustment Spring Steel plated

CONNECTIONS (sold separately)

Threaded (NPT) 1/2", 3/4", 1", 1 1/4", 1 1/2" and 2"

CERTIFICATIONS

The Cash Acme EB-86U and E-86 Pressure Regulators are certified to ASSE 1003 and CSA B356 and are listed by ASSE, IAMPO (UPC) and CSA.

E-86 and EB-86U Water Capacity (gpm)

Valve Size	P ₂ VAR. (psi)	Differential Pressure P ₁ -P ₂ (psi)			
		10	25	50	100 Or More
1/2"	5	3	4	4 1/2	5 1/2
	10	6	8	10	11
	15	8	11	13 1/2	15
	20	9 1/2	13	15 1/2	17
3/4"	5	4	6 1/2	7 1/2	9
	10	8 1/2	12 1/2	16	17
	15	12 1/2	17 1/2	22	24
	20	15 1/2	21	26	28
1"	5	7	10	11	12
	10	15	20 1/2	25 1/2	27 1/2
	15	22	29	35 1/2	37 1/2
	20	28	35	41 1/2	44 1/2
1 1/4"	5	8 1/2	11	12	14
	10	20	27	33	36
	15	30	41	51	55
	20	40	53	65	70
1 1/2"	5	10 1/2	14	16	18
	10	27	38	48	52
	15	39	55	70	76
	20	50	72	92	100
2"	5	16	20	23	25
	10	37	52	65	70
	15	55	76	95	102
	20	70	97	120	130