

# EB-600 Double Union Domestic Water Regulator

## DESCRIPTION

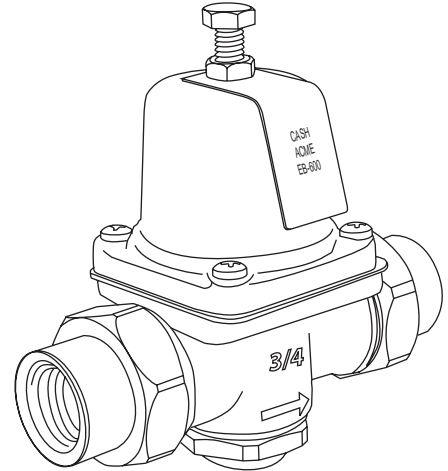
---

The Cash Acme EB-600 Pressure Reducing and Regulating Valve automatically reduces a high inlet pressure to a lower delivery pressure and maintains the lower pressure within acceptable limits. It is designed for ease and versatility of installation.

The unique double union feature permits installation of the EB-600 in tight quarters and also allows for temporary installation during construction.

The **Cash Acme EB-600** is intended for use where supply line inlet pressure does not exceed 300 psi. The **Cash Acme EB-600** is suitable for cold or hot (to 180° F) water service. Ideally suited for domestic water service, it automatically reduces and regulates high inlet pressures down to 45 psi. Outlet pressure is fully adjustable from 10 to 70 psi without changing the pressure spring.

The **Cash Acme EB-600** is available in 3/4" to 2" sizes. The pipe size and direction of flow are indicated on the body. The **Cash Acme EB-600** has a bronze body and bottom plug, brass piston, stainless steel seat ring and inbuilt strainer screen.



## FEATURES AND BENEFITS

---

Designed for ease and versatility of installation:

*More efficient system performance for lower running costs.*

Every valve is tested prior to shipping:

*Specify and install with confidence!*

Listed by IAPMO, ASSE 1003 and CSA:

*Inspector friendly, peace of mind!*

## SPECIFICATION

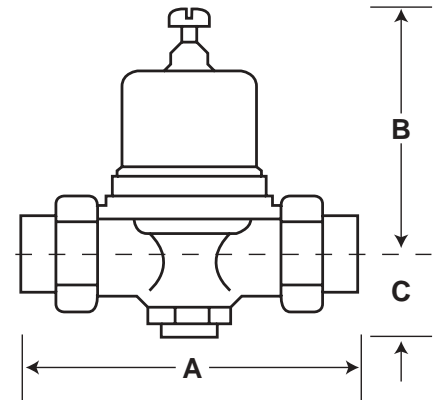
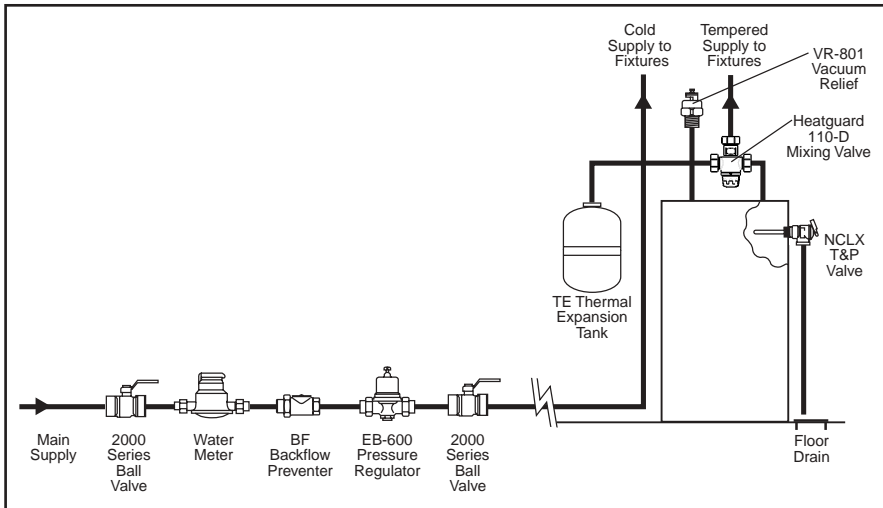
---

A valve shall be installed to reduce water pressure. The valve shall have double union ends and be approved in accordance with ASSE standard 1003, CSA and IAPMO. The valve shall have a bronze body, brass and stainless steel internals, an EP diaphragm, stainless steel strainer screen and an inbuilt back-pass check. The valve shall be a **Cash Acme EB-600**.

# EB-600 Double Union Domestic Water Regulator

## TYPICAL INSTALLATION

For further installation instructions, please contact the factory.



**EB-600**

Dimensions	A	B	C
3/4"	5 1/4"	4 1/16"	1 7/16"
1"	6 1/8"	4 1/2"	1 1/2"
1 1/4"	6 1/2"	6 7/8"	2"
1 1/2"	8 1/4"	11 1/16"	2 3/16"
2"	9 7/8"	13 1/2"	2 5/8"

## SPECIFICATION DATA

### Performance:

Outlet pressure range . . . . .10 - 70 psi  
 Maximum temperature . . . . .180° F  
 Maximum initial pressure . . . . .300 psi (1 1/4", 1 1/2" and 2")  
 . . . . .400 psi (1/2", 3/4" and 1")  
 Service . . . . .Water

### Materials:

Body . . . . .Bronze  
 Spring Housing . . . . .Iron  
 Piston . . . . .Brass  
 Body Seat . . . . .Stainless steel  
 Piston Spring . . . . .Stainless steel  
 Strainer Screen . . . . .Stainless steel  
 Seat Disc . . . . .EP  
 O-Ring . . . . .EP  
 Diaphragm . . . . .EP (nylon reinforced)  
 Bottom Plug . . . . .Bronze

## CONNECTIONS (sold separately)

Threaded . . . . .3/4", 1" and 1 1/4"  
 Sweat copper unions . . . . .3/4", 1" and 1 1/4"  
 Sweat copper . . . . .1 1/2" and 2"

## CERTIFICATIONS

Cash Acme EB-600 Pressure Regulators are certified to **ASSE 1003**, and **CSA B356**, and are listed by **ASSE, IAMPO (UPC)** and **CSA**.

### EB-600 Water Capacity (gpm)

Valve Size	P <sub>2</sub> VAR. (psi)	Differential Pressure P <sub>1</sub> -P <sub>2</sub> (psi)			
		10	25	50	100 Or More
1/2"	5	3	4	4 1/2	5 1/2
	10	6	8	10	11
	15	8	11	13 1/2	15
	20	9 1/2	13	15 1/2	17
3/4"	5	4	6 1/2	7 1/2	9
	10	8 1/2	12 1/2	16	17
	15	12 1/2	17 1/2	22	24
	20	15 1/2	21	26	28
1"	5	7	10	11	12
	10	15	20 1/2	25 1/2	27 1/2
	15	22	29	35 1/2	37 1/2
	20	28	35	41 1/2	44 1/2
1 1/4"	5	8 1/2	11	12	14
	10	20	27	33	36
	15	30	41	51	55
	20	40	53	65	70
1 1/2"	5	10 1/2	14	16	18
	10	27	38	48	52
	15	39	55	70	76
	20	50	72	92	100
2"	5	16	20	23	25
	10	37	52	65	70
	15	55	76	95	102
	20	70	97	120	130