

# Blue-White<sup>®</sup>

**FLEXFLO<sup>®</sup> Peristaltic Metering Pumps**  
**Industries, Ltd.** *Engineering and Technical Data*

## A-100NA

**Fixed Speed**

**Dial Knob Control**

**60 second cycle timer**



### Features:

- Peristaltic pump design does not have valves that can clog requiring maintenance.
- Self priming - even against maximum line pressure. By-pass valves are not required. Cannot vapor lock or lose prime.
- Outputs to 250 ml/min (95.1 GPD).
- Output pressures to 100 PSI.
- Output volume is not effected by changes in back pressure.
- Patented pump tube design installs easily and stays centered on the rollers without manual adjustment.
- Two pump tubes supplied with each pump. No extra tubing required.
- Easy to use dial knob output control.
- 20:1 turndown ratio.
- Adjustable 60 second repeating interval timer. 3-60 second adjustable on time per 60 second cycle.
- Built-in Tube Failure Detection system (TFD). Senses chemical in the pump head, shuts off the pump and activates an NPN open collector output.
- Compatible with Blue-White's output flow verification sensor system.
- Durable housing of chemical resistant Valox (PBT) thermoplastic.

### Specifications:

Max. working pressure: .....100 psig (6.9 bar)  
 Max. fluid temperature: .....130° F (54° C)  
 Max. ambient temperature: ..14° to 110° F/ -10° to 43° C  
 Output adjustment range: ....5-100%  
 Duty cycle:.....Continuous  
 Maximum viscosity: .....5,000 Centipoise  
 Maximum suction lift: .....30 ft. Water 0 psig  
 Maximum Solids: .....50% by volume  
 Enclosure: .....NEMA type 2, (IP21)  
 Approximate shipping wt: ...10 lb. (4.5 kg)

Voltage (max amp): .....115VAC/60Hz, 14 & 30 rpm = 1.37 amp  
 .....45 & 60 rpm = 1.87 amp  
 .....230VAC/60Hz, 14 & 30 rpm = 0.64 amp  
 .....45 & 60 rpm = 0.74 amp  
 .....220VAC/50Hz, 14 & 30 rpm = 0.68 amp  
 .....45 & 60 rpm = 1.14 amp  
 .....240VAC/50Hz, 14 & 30 rpm = 0.66 amp  
 .....45 & 60 rpm = 1.04 amp  
 Power Cord Plug Type:.....115V60Hz = NEMA 5/15 (USA)  
 .....230V60Hz = NEMA 6/15 (USA)  
 .....220V50Hz = CEE 7/VII (EUROPE)  
 .....240V50Hz = CEE 7/VII (U.K)

### Materials of Construction:

#### Wetted components:

Pump Tube Assembly:.....Norprene<sup>®</sup>, Tygothane<sup>®</sup> or Viton<sup>®</sup> tubing  
 .....PVDF tube assembly connection fittings  
 Suction Tubing:.....Clear PVC  
 Suction Strainer: .....Natural Polypropylene  
 Discharge Tubing:.....Natural Polyethylene (LLDPE)  
 Injection/Check valve:  
 Body & insert: .....Polypropylene (optional PVDF)  
 Check Ball: .....Ceramic  
 Spring: .....Hastelloy C-276  
 Ball Seat O-ring:.....TFE/P (optional EP)  
 Static Seal O-ring: .....Viton<sup>®</sup> (optional EP)

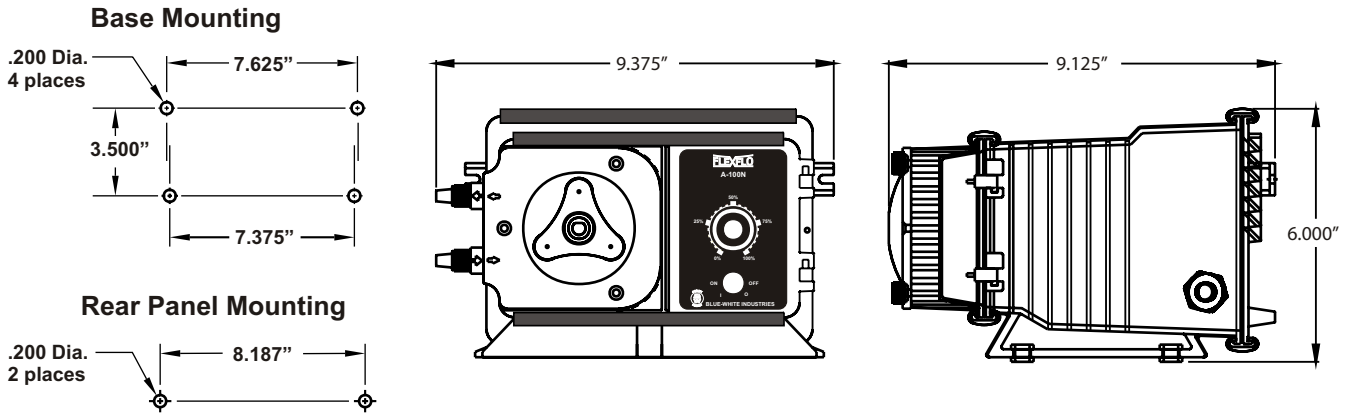
#### Non-Wetted components:

Pump Head & Enclosure: .....Valox<sup>®</sup> (PBT) thermoplastic  
 Pump Head Cover:.....Clear PVC  
 Cover Screws: .....300 Stainless, Polypropylene cap  
 Roller Assembly:  
 Rotor:.....Valox<sup>®</sup> (PBT)  
 Rollers: .....Nylon  
 Roller Bearings: .....Bronze  
 Motor Shaft:.....Nickel plated steel  
 TFD System Sensor pins: ....Hastelloy C-276  
 Power Cord: .....3 conductor, SJTW-A Water-resistant

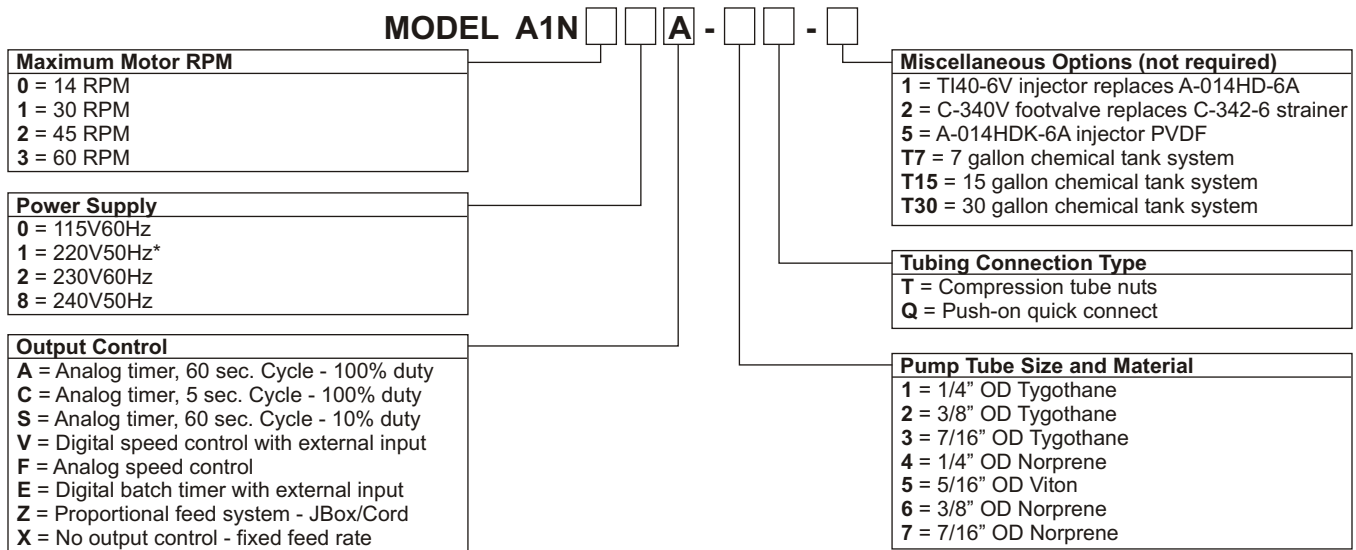
# Blue-White Industries, Ltd.

## FLEXFLO® Peristaltic Metering Pumps

### Dimensions:



### Model Number Matrix:



### Maximum Flow rate and pressure capacities:

Tube no.	Tubing Material	14 RPM MODELS				30 RPM MODELS				45 RPM MODELS				60 RPM MODELS							
		ml/min	oz/min	gph	gpd	PSI	ml/min	oz/min	gph	gpd	PSI	ml/min	oz/min	gph	gpd	PSI	ml/min	oz/min	gph	gpd	PSI
1	Tygothane	15	0.51	0.24	5.7	65	35	1.18	0.55	13.3	65	54	1.83	0.86	20.5	65	67	2.26	1.06	25.5	65
2	Tygothane	32	1.08	0.51	12.2	65	75	2.54	1.19	28.5	65	115	3.89	1.82	43.7	65	140	4.73	2.22	53.2	65
3	Tygothane	73	2.47	1.16	27.8	50	173	5.85	2.74	65.8	50	261	8.82	4.14	99.2	50	326	11.01	5.17	124.0	50
4	Norprene	6	0.20	0.10	2.3	100	13	0.44	0.21	4.9	100	21	0.20	0.10	8.0	100	25	0.85	0.40	9.5	75
5	Viton	11	0.37	0.17	4.2	25	26	0.88	0.41	9.9	25	39	1.31	0.62	14.8	25	48	1.62	0.76	18.3	25
6	Norprene	18	0.61	0.29	6.8	100	42	1.42	0.67	16.0	100	63	2.13	1.00	24.0	100	79	2.67	1.25	30.0	75
7	Norprene	57	1.92	0.90	21.7	50	138	4.66	2.19	52.5	50	200	6.76	3.17	76.1	50	250	8.45	3.96	95.1	50

\* NOTE: 50Hz units deliver 20% less output.

### Replacement Pump Tubes:

Pump Model Number Suffix	Pump Tube Part Number	Pump Tube Material	Nominal Pump Tube OD
-1T	A-002N-1T	Tygothane	1/4"
-2T	A-002N-2T	Tygothane	3/8"
-3T	A-002N-3T	Tygothane	7/16"
-4T	A-002N-4T	Norprene	1/4"
-5T	A-002N-5T	Viton	5/16"
-6T	A-002N-6T	Norprene	3/8"
-7T	A-002N-7T	Norprene	7/16"
-1Q	A-002N-1Q	Tygothane	1/4"
-2Q	A-002N-2Q	Tygothane	3/8"
-4Q	A-002N-4Q	Norprene	1/4"
-6Q	A-002N-6Q	Norprene	3/8"