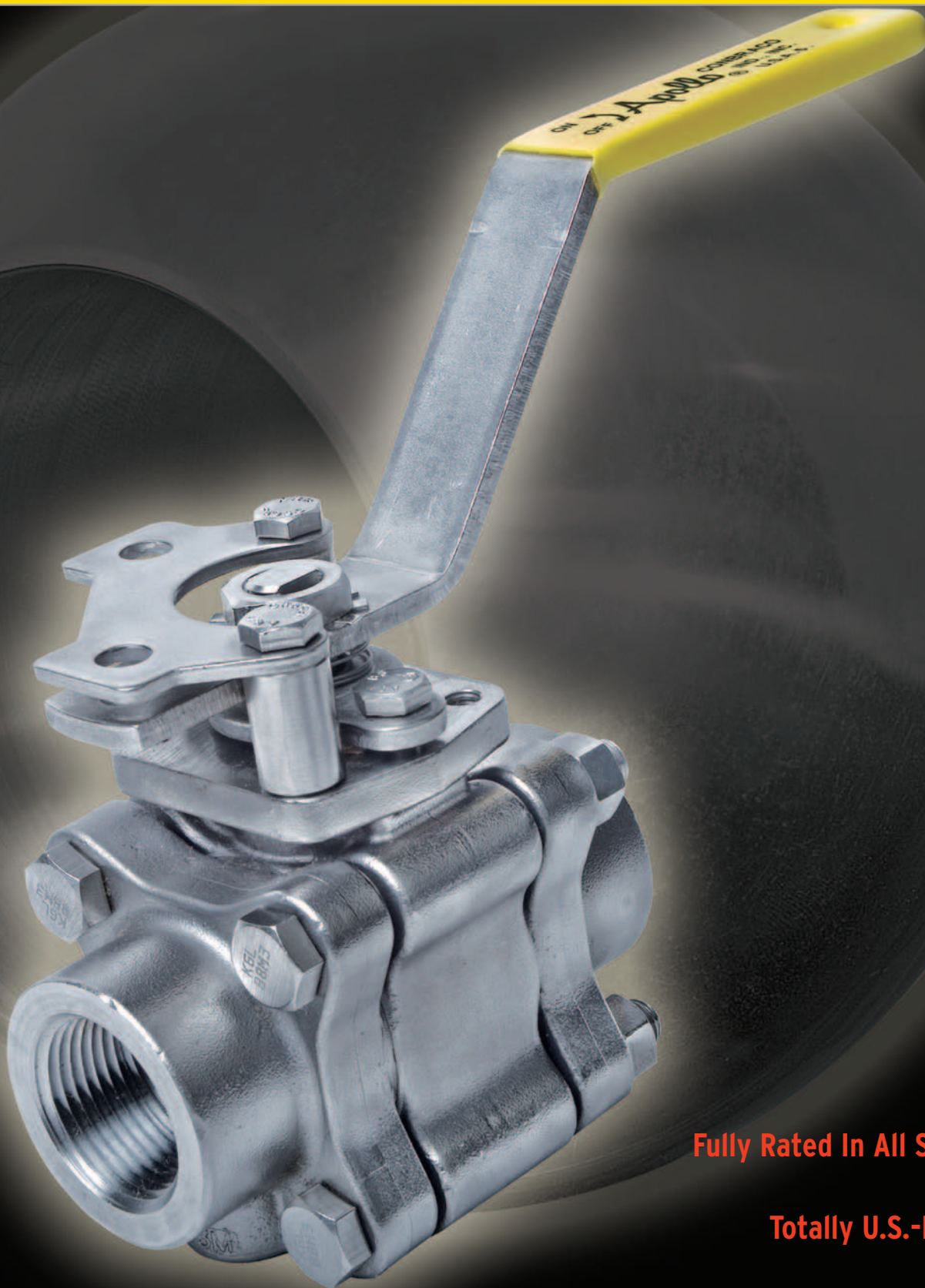


MADE IN THE USA

"Apollo" Valves



Fully Rated In All Sizes,

Totally U.S.-Made

NEW ASME B16.34 CLASS 600 THREE-PIECE VALVES

NEW FROM APOLLO®**3-PIECE BALL VALVES...ALL ASME**

**ASME/ANSI B16.34 CLASS 600
THREE-PIECE VALVES**

More Sizes, More Body Materials, More Performance

Apollo® introduces a whole family of full-port, three-piece ASME/ANSI B16.34 Class 600 ball valves designed to the latest industrial codes and standards. Our new 83B and 86B Series valves are available in a full range of sizes, trim packages and end configurations - perfect for your specific application. They're available in special corrosion resistant alloys, too.

Every size is fully Class 600 rated, unlike other manufacturers' valves which are derated in the larger sizes.

Manufactured in the U.S., these Class 600 valves are built for extended service and minimal maintenance. They're ideal for harsh plant environments where reliable operation is critical: pulp and paper, power generation, oil fields, refineries and chemical processing.

Compared to other units, new Apollo Class 600 valves offer MRO specialists and project engineers real advantages:

Full Family Of Class 600 Valves - Too many manufacturers offer only a few Class 600-compliant ball valves; new Apollo three-piece valves are available in five different body materials in seven fully compliant sizes with options for virtually any industrial application.

Unique Adjustable Gland Plate - Specially designed Apollo gland plate can be adjusted without removing handle or actuator.

Spiral Wound Seals - RPTFE spiral wound body seals are standard and provide long wearing protective sealing between major valve body parts. Spiral wound graphite seals are optional.

Designed For The Toughest Applications

A. Extra-Strong Stem Bearing - Proprietary PEEK-PTFE blend offers high strength and lower friction.

B. Enclosed Bolting - Standard stainless steel bolts on all models are enclosed within the valve body to minimize exposure to corrosion and help maintain alignment of body and end connectors.

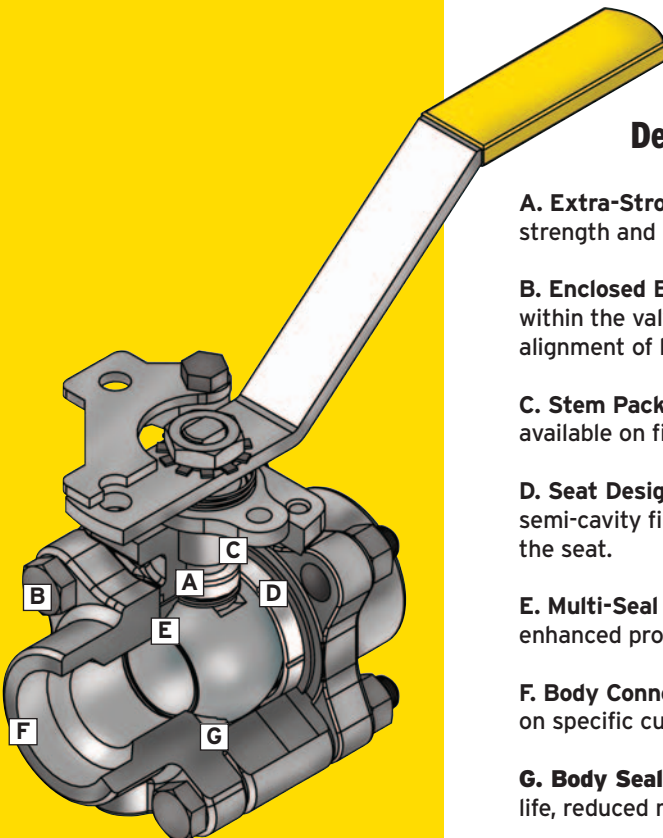
C. Stem Packing - Multi-piece V-ring PTFE packing standard; graphite packing available on fire-tested models only.

D. Seat Design - Cantilever designed seats reduce effort to operate valve; semi-cavity fill profile keeps cavity volume to a minimum and adds stability to the seat.

E. Multi-Seal Seats - Unfilled FDA-compliant enhanced PTFE seat is standard; enhanced properties makes filled PTFEs unnecessary; UHMWPE optional.

F. Body Connections - NPT, butt weld and socket weld ends available depending on specific customer needs.

G. Body Seals - Standard seals are RPTFE spiral wound for extended service life, reduced maintenance; spiral wound graphite seals optional.



"Apollo" Valves

CLASS 600 AND READY FOR YOU

- Three-piece, full port construction
- Swing-out center section
- Pressure-balanced solid ball
- Anti-blowout bottom entry stem design
- Anti-static ground ball and stem
- Lockable in open or closed position
- Fully machined ISO 5211 mounting
- Cast bosses for bleed and drain ports
- Vacuum service to 29 in of Hg
- Meets NACE MR0175 (2000 edition)

Features

Numbering System

XXX	-	X	X	X	-	XX
BODY		END	TRIM	SIZE (in.)		ASME CLASS 600 OPTIONS
83A - Carbon Steel * (ASTM A216-WCB)		1 - FNPT 2 - Socket Weld	0 - Matches Body 3 - Ni-Cu	2 - 3/8 3 - 1/2		01 - Standard (locking, multi-seal seats) 04 - 2-1/4" Stem Extension (Locking)
83B - Carbon Steel (ASTM A216-WCB)		3 - Sch. 5 Butt weld 4 - Sch. 10 Butt weld	4 - Stainless H - Hastelloy®	4 - 3/4 5 - 1		14 - Side Vented Ball 15 - Round Wheel Handle (locking)
86A - Stainless Steel * (ASTM A351-CF8M)		5 - Sch. 40 Butt weld 6 - Sch. 80 Butt weld	N - Nickel A - Alloy 20	6 - 1-1/4 7 - 1-1/2 8 - 2		21 - UHMWPE Seats (graphite packing) (not available on 83A/86A) 24 - Firetested, graphite packing & seal (not available on 83A/86A)
86B - Stainless Steel (ASTM A351-CF8M)						38 - Peek Seat, Graphite Packing & Seals (not available on 83A/86A)
86C - Alloy 20 (ASTM A351-C7NM)						49 - Assembled Dry
86D - Hastelloy® (ASTM A494-CW12NW)						57 - Cleaned for Oxygen Service (86A, B, C)
86E - Ni-Cu (ASTM A494-M35-1)						60 - Grounded Ball & Stem (optional on 83A/86A)
86F - Nickel (ASTM A494-CZ100)						63 - NPT x SW 67 - Cleaned for Industrial Gases (83A, 83B)
						69 - Drilled & Tapped Purge Port w/Plug 70 - 4" Extended Bonnet 76 - Live Loaded (lever operated) 77 - Live Loaded (actuated) 90 - Double Packed Extended Bonnet

* 83A and 86A are 1500 CWP per MSS-SP110

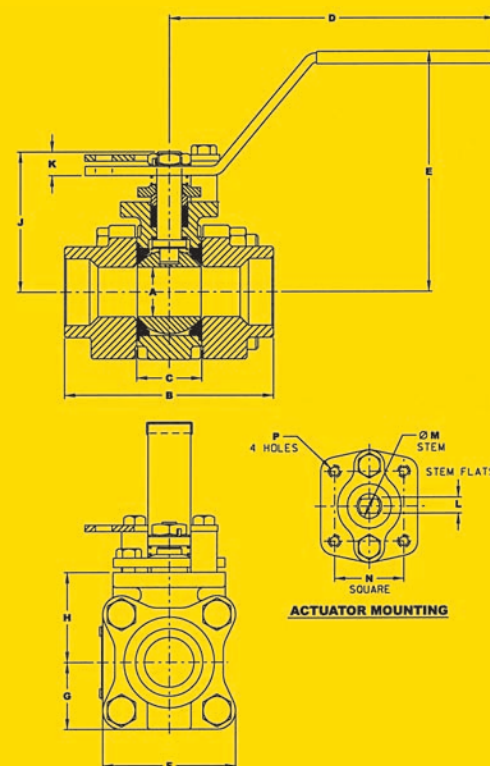
Dimensions

Dimensions (in.)														
Size	A	B*	C	D	E	F	G	H	J	K	L	M	N	P
3/8	0.50	2.8	0.89	5.12	3.02	2.02	1.01	1.39	1.97	.23	.245	.375	1.000	10-24 UNC
1/2	0.50	2.80	0.89	5.12	3.02	2.02	1.01	1.39	1.97	.23	.245	.375	1.000	10-24 UNC
3/4	0.75	3.68	1.10	5.53	3.40	2.40	1.20	1.65	2.35	.24	.312	.500	1.392	1/4-20 UNC
1	1.00	4.19	1.31	6.53	4.80	2.67	1.34	1.80	2.80	.48	.287	.500	1.392	1/4-20 UNC
1-1/4	1.50	4.50	1.97	6.65	4.70	3.84	1.92	2.49	3.89	.72	.412	.625	1.949	5/16-18 UNC
1-1/2	1.50	4.98	1.97	6.65	4.70	3.84	1.92	2.49	3.89	.72	.412	.625	1.949	5/16-18 UNC
2	2.00	5.86	2.56	8.40	5.47	4.92	2.46	3.17	4.74	.80	.477	.750	1.949	5/16-18 UNC

*Add 1" to length for butt weld valves

High-Performance Valves Delivered Fast

Why wait for industrial valves with borderline performance to arrive from half a world away? New Apollo Series three-piece ball valves are true ASME/ANSI B16.34 Class 600 devices, built in the U.S. to the latest standards, configured to your needs and ready for prompt delivery.



ASME/ANSI B16.34 CLASS 600 THREE-PIECE VALVES

Other Apollo® Literature for Your Specification Library



Ball Valve Catalog



Actuation Catalog



Top Entry Catalog

WARRANTY AND LIMITATIONS OF LIABILITY

Conbraco Industries, Inc. warrants, to its initial purchaser only, that its products which are delivered to this initial purchaser will be of the kind described in the order or price list and will be free of defects in workmanship or material for a period of two years from the date of delivery to you, our initial purchaser.

Should any failure to conform to this warranty appear within two years after the date of the initial delivery to our initial purchaser, Conbraco will, upon written notification thereof and substantiation that the goods have been stored, installed, maintained and operated in accordance with Conbraco's recommendations and standard industry practice, correct such defects by suitable repair or replacement at Conbraco's own expense.

THIS WARRANTY IS EXCLUSIVE AND IS IN LIEU OF ANY IMPLIED WARRANTY OF MERCHANTABILITY, FITNESS FOR A PARTICULAR PURPOSE OR OTHER WARRANTY OF QUALITY WHETHER EXPRESSED OR IMPLIED, EXCEPT THE WARRANTY OF TITLE AND AGAINST PATENT INFRINGEMENT. Correction of non-conformities, in the manner and for the period of time provided above, shall constitute fulfillment of all liabilities of Conbraco to our initial purchaser, with respect to the goods, whether based on contract, negligence, strict tort or otherwise. It is the intention of Conbraco Industries, Inc. that no warranty of any kind, whether express or implied, shall pass through our initial purchaser to any other person or corporation.

LIMITATION OF LIABILITY: Conbraco Industries, Inc. SHALL NOT UNDER ANY CIRCUMSTANCES BE LIABLE FOR SPECIAL OR CONSEQUENTIAL DAMAGES SUCH AS, BUT NOT LIMITED TO, DAMAGES OR LOSS OF OTHER PROPERTY OR EQUIPMENT, LOSS OF PROFITS OR REVENUE, COST OF CAPITAL, COST OF PURCHASED OR INITIAL PURCHASER, AND ALL OTHERS, SET FORTH HEREIN ARE EXCLUSIVE, AND THE LIABILITY OF CONBRACO WITH RESPECT TO SAME SHALL NOT, AS EXPRESSLY PROVIDED HEREIN, EXCEED THE PRICE OF THE GOODS UPON WHICH SUCH LIABILITY IS BASED.

"Apollo" Valves



Conbraco® and Apollo® are registered trademarks of Conbraco Industries Inc. Conbraco Industries Inc. reserves the right to change specifications without notice. © 2006 Conbraco Industries Inc.