

**Series PB410 Pressure Balancing Mixing Valves  
Type PB413 (3 port)/Type PB417 (4 port)**

**Product Specification**

**Description ■**

The Series PB410 Hydroguard® is a pressure-compensating mixer, which delivers a predetermined water temperature, compensating for pressure fluctuations in the hot or cold water supplies.

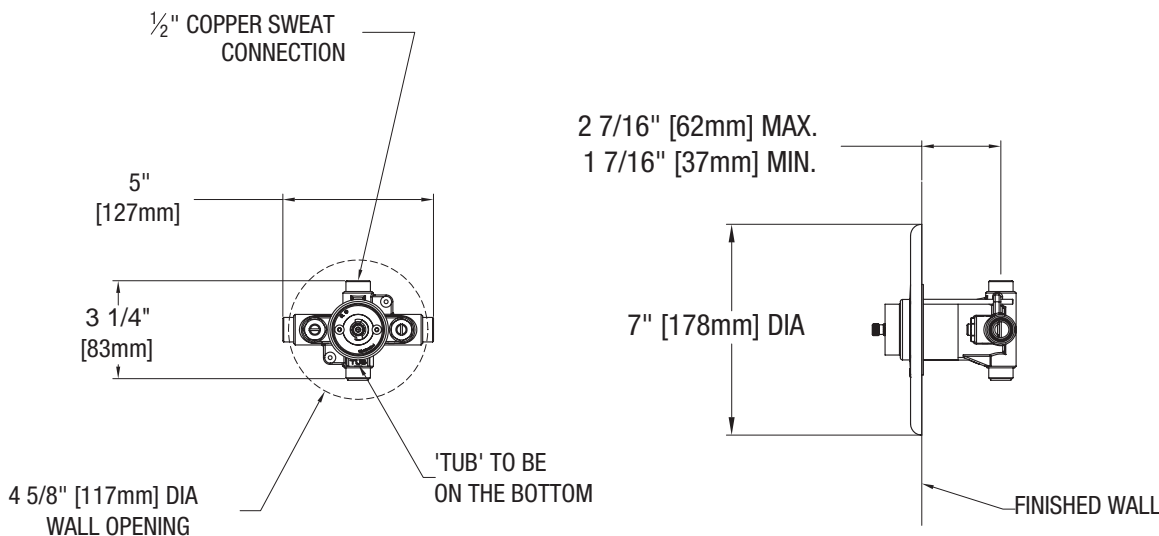
The Series PB410 Hydroguard® features heavy, cast-brass construction, a poppet-type equalizing valve as part of a replaceable cartridge. The poppet-type construction offers a distinct advantage; it will not stick because of lime build-up or foreign particles in the supplies. The adjustable metal-to-metal temperature limit stop prevents accidental scalding caused by over adjustment of the handle. It also features integral checkstops, back-to-back and shallow wall installation. PB413 and PB417 valves and shower systems can be selected to meet the Americans with Disabilities Act (ADA). (See back page for details.)



Model PB413000000

**Specifications ■**

- Connections: ..... 1/2" Sweat Inlets/Outlets
- Capacity: ..... 5.0 gpm (19 l/min.)
- Maximum Hot Water Supply Temperature: ..... 190°F (88°C)
- Maximum Static Pressure: ..... 125 psig (862 kPa)
- Maximum Operating Pressure: ..... 125 psig (862 kPa)
- High Temperature Limit Stop: ..... Metal to Metal, Adjustable
- Certification: ..... CSA B125
- Listing: ..... ASSE 1016
- Shipping Weight: ..... 4.5 lbs. (2.0 kg)



### Specification for Shower and Tub/Shower Systems — For Series PB410 Valves ■

To order complete Series 410 systems...

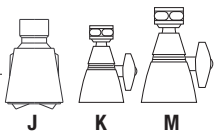


**Valves**

- 3 port valve w/plug ..... **PB413**
- 4 port valve ..... **PB417**

**Showerheads**

- Economizer, Chrome-Plated ABS, Adjustable ..... **J**
- Standard, Chrome-Plated Brass ..... **K**
- Deluxe, Chrome-Plated Brass ..... **M**
- Low Flow (1.6 gpm) Chrome-Plated ..... **G**
- Low Flow (1.5 gpm) Chrome-Plated ..... **H**



**Arm and Flange Kits**

- Standard Arm and Flange ..... **1**
- Deluxe Arm and Flange ..... **2**
- Standard Arm/Flange & High Temp. Shutoff ..... **4**
- Deluxe Arm/Flange & High Temp. Shutoff ..... **5**

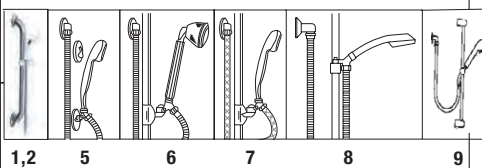
**Tub Spouts**

- Diverter, Chrome-Plated Brass, 3/4" IPS ..... **Q**
- Non-Diverter, Chrome-Plated, 1/2" IPS ..... **R**
- Diverter, Chrome-Plated, 1/2" IPS ..... **S**
- Diverter, Chrome-Plated Brass, 1/2" IPS ..... **T**
- Diverter, Chrome-Plated, 1/2" Slip-fit ..... **U**



**Hand Shower Systems**

- 24" Chrome ADA Wall Grab Bar System ..... **1**
- 36" Chrome ADA Wall Grab Bar System ..... **2**
- Deluxe, Metal Hose, 30" Slide Bar ..... **3**
- Professional, Vinyl Hose, 30" Slide Bar ..... **4**
- Standard, Metal Hose, Two Wall Hooks ..... **5**
- Deluxe, Metal Hose, 24" Slide Bar ..... **6**
- Professional, Vinyl Hose, 24" Slide Bar ..... **7**
- Standard Plus, Metal Hose, 24" Slide Bar ..... **8**
- European, Metal Hose, 23" Slide Bar ..... **9**
- Low Flow (1.5 gpm), Metal Hose, 30" Glide Rail ..... **L**
- Professional, Metal Hose, 30" Glide Rail ..... **N**



**Diverter**

- Concealed Diverting Valve, Metal Handle, 1/2" Sweat ..... **Y**
- Diverter, Concealed, Deluxe ABS Handle, 1/2" Sweat ..... **A**
- Diverter, Concealed, Deluxe Metal Handle, 1/2" Sweat ..... **B**
- Exposed Diverter, Shower Arm-Type, Chrome-Plated ..... **Z**

**Vacuum Breakers**

- Vacuum Breaker, Elevated, Chrome-Plated ..... **V**
- Vacuum Breaker, In-Line ..... **W**



A Watts Water Technologies Company

