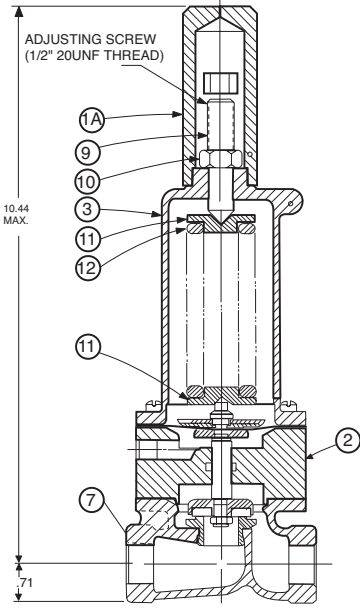
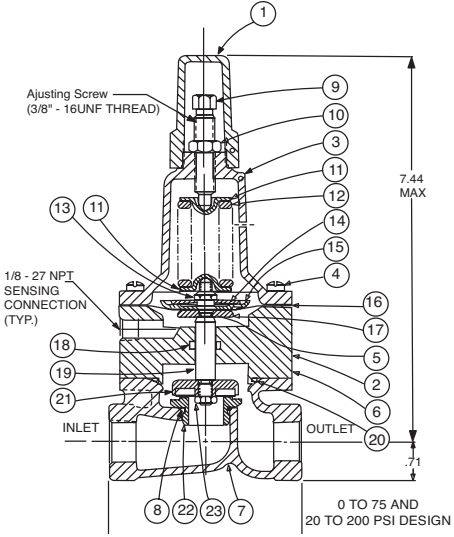
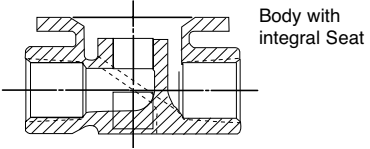
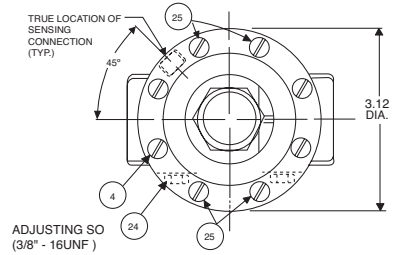




CRL

1/2" & 3/4" PRESSURE RELIEF CONTROL



SIZE	SPRING RANGE	PART NUMBER
1/2"	0-75 PSI	79222-01E
1/2"	20-200 PSI	79222-02C
1/2"	100-300 PSI	82809-01D
3/4"	0-75 PSI	79229-01K
3/4"	20-200 PSI	79229-02H
3/4"	100-300 PSI	86005-01E

For 100-450 PSI Contact Factory

CRL RANGE PSI	APPROX. INCREASE FOR EACH CLOCKWISE TURN OF ADJUSTING SCREW
0 to 75	8.5 PSI
20 to 200	28.0 PSI
100 to 300	18.0 PSI

When ordering parts please specify:
 1. All Nameplate Data
 2. Item Part Number
 3. Item Description

Item	Description	Material	Part Number		
			0-75	20-200	100-300
1	Cap	Plastic	67628J	67628J	1257601D
1A	Cap 100 to 300 psi Design	Plastic	1257601D	1257601D	1257601D
2	Nameplate	Brass	--	--	--
3	Cover	Bronze	C2544K	C2544K	44587E
4*	Screw Fil.Hd.10-32 x 1.88	303 SS	6757867E	6757867E	6757867E
5*	O-Ring	Rubber	00902H	00902H	00902H
6	Body, Powerunit	Bronze	7920504D	7920504D	7920504D
7	1/2" Body	Bronze	C7928K	C7928K	C7928K
	3/4" Body	Bronze	C9083B	C9083B	C9083B
8*	O-Ring, Seat	Rubber	00718H	00718H	00718H
9	Screw, Adjusting	Brass	7188201D	7188201D	7188201D
10	Nut Hex (Locking)	303 SS	6780106J	6780106J	6780106J
11	Guide, Spring	303 SS	71881H	71881H	1630301J
12	Spring,	CHR/VAN	71881H	71881H	1630201A
13	Nut, Stem, Upper	Bronze	73034B	73034B	73034B
14	Washer, Belleville	Steel	7055007E	7055007E	7055007E
15	Washer, Diaphragm (upper)	303 SS	71891G	71891G	71891G
16*	Diaphragm	Rubber	C1505B	C1505B	C1505B
17	Washer, Diaphragm (lower)	303 SS	45871B	45871B	45871B
18*	O-Ring, Stem	Rubber	00746J	00746J	00746J
19	Stem	303 SS	8982401F	8982401F	8982401F
20*	O-Ring, Body	Rubber	00767E	00767E	00767E
21*	Retainer Assembly, Disc	303 SS	C8964D	C8964D	C8964D
22	Seat	303 SS	62187A	62187A	62187A
23	Nut, hex, Stem, Lower	Bronze	6779806G	6779806G	6779806G
24	Pipe Plug	Bronze	6784701C	6784701C	6784701C
25*	Screw Fil.Hd, 10-32 x 2.25 (Qty 4 on 100-300 psi)	303 SS	6757867E	6757867E	6757867E
FACTORY SET POINT			50 PSI	60 PSI	100 PSI
REPAIR KIT*			9170007A	9170007A	9170007A