



Pressure Relief Valves



- **Direct Acting - Precise Pressure Control**
- **Positive Dependable Opening**
- **Drip Tight Closure**
- **No Packing Glands or Stuffing Boxes**
- **Sensitive to Small Pressure Variations**

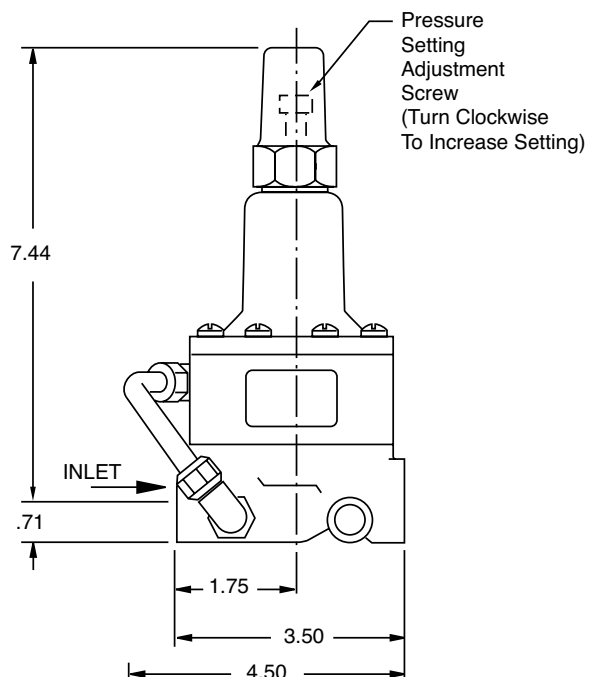
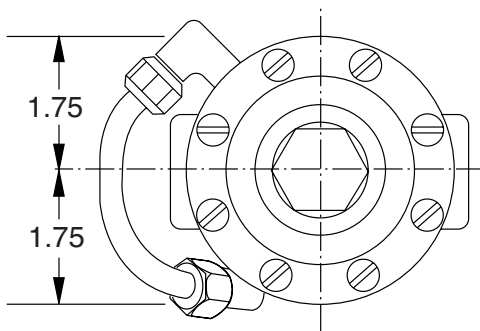
The Cla-Val Model CRL and 55F Pressure Relief Valves are direct-acting, spring loaded, diaphragm type relief valves. Often used as pilot controls for Cla-Val Hytrol valves, they can also be used as self-contained pressure relief valves. These valves may be installed in any position and open and close within very close pressure limits.

The Model CRL and 55F are normally held closed by the force of the compression spring above the diaphragm. Control pressure is applied under the diaphragm. When the controlling pressure exceeds the spring setting, the disc is lifted off its seat, permitting flow through the control. When control pressure drops below the spring setting, the spring forces the control back to its normally closed position. The controlling pressure is applied to the chamber beneath the diaphragm through an external tube on the Model 55F and a sensing port on the CRL.

Pressure adjustment is simply a matter of turning the adjusting screw to vary the spring pressure on the diaphragm. The CRL & 55F are available in three pressure ranges: 0 to 75 psi, 20 to 200 psi, and 100 to 300 psi. To prevent tampering, the adjustment cap can be wire sealed by using the lock wire holes provided in the cap and cover.

Note: Also Available in Seawater Service Material

Dimensions (In Inches) 55F Model



Specifications

Size	1/2" & 3/4" Threaded
Temperature Range	Water, Air: to 180°F Max.
Materials	
Body & Cover:	Cast Bronze ASTM B62 Cast Aluminum 356-T6 Stainless Steel ASTM A743C7-167A
Trim:	Brass & Stainless Steel 303
Rubber:	Buna-N® Synthetic Rubber

Pressure Ratings	Cast Bronze 400 psi Max. Cast Aluminum 275 psi Max. Stainless steel 400 psi Max.
-------------------------	--

Other Materials Available on special order

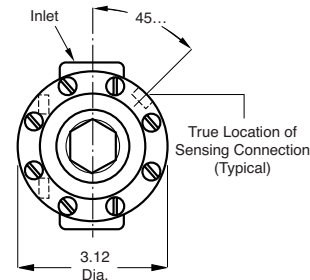
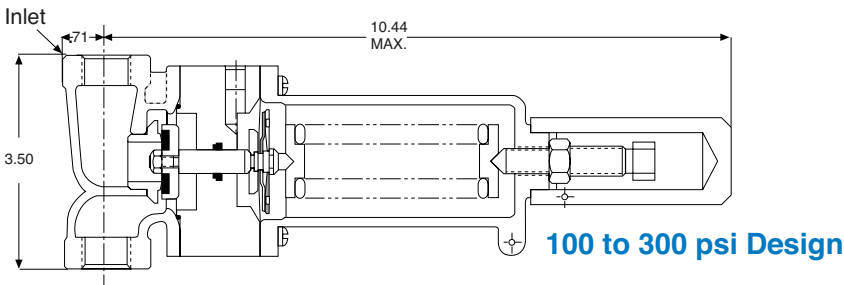
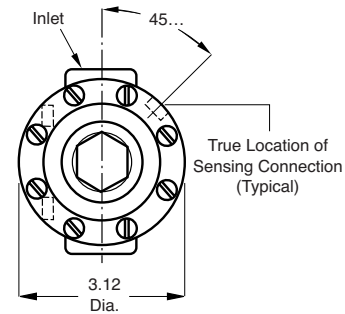
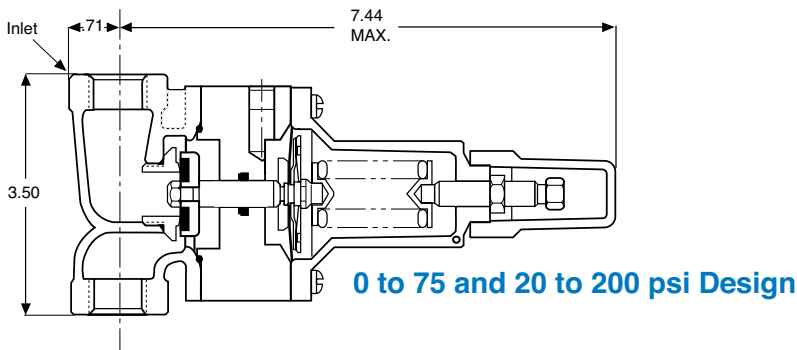
Adjustment Ranges	0 to 75 psi 20 to 200 psi 100 to 300 psi
--------------------------	--

CRL & 55F Range PSI	Approximate Increase For Each Clockwise Turn Of Adjusting Screw
0 to 75	8.5 psi
20 to 200	28.0 psi
100 to 300	18.0 psi

Flow Loss Chart (Full Open Valve)

Valve Size	C _v Factor	Flow of Water - gpm				
		5	10	15	20	30
1/2"	6	0.7	2.7	6	11	
3/4"	8.5	0.3	1.4	3.1	5.5	12.2

CRL Basic Valve Dimensions (In Inches)



OPTIONAL X140 SECURITY CAP



- Controlled Security for Pilot Control Adjustment
- Long Life Stainless Steel Construction
- Tamper-Resistant Design
- X140 Customer Supplied Padlock
- X140-1 Key and Six Pin Cylinder Lock Supplied



Note: See E-X140 Locking Security Cap

When Ordering, Please Specify

1. Catalog No. CRL & 55F
2. Valve Size
3. Adjustment Range Desired
4. Optional Materials
5. Optional Security Cap



Distributed By:
M&M Control Service, INC.
Phone: 800-876-0036
Fax: 847-356-0747
Email: Sales@mmcontrol.com