



CRA

REMOTE SENSING TYPE

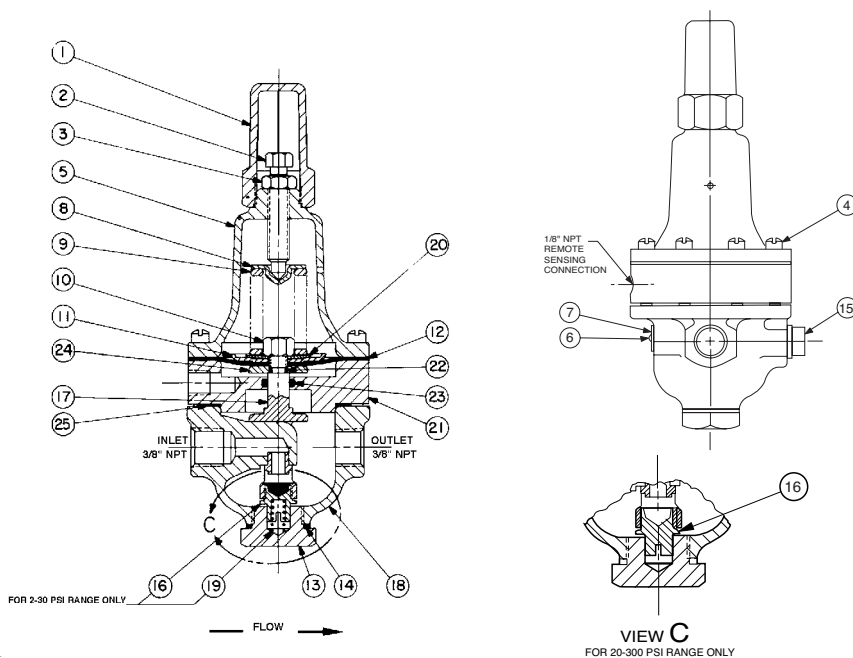
Pressure Reducing Control

When ordering parts specify:

- All nameplate data
- Description
- Item number

SIZE (inch)	STOCK NUMBER	SEAT DIA	ADJ. RANGE (psi)
3/8	79744-03D	1/4	15-75
3/8	79744-04B	1/4	30-300
3/8	79744-06G	1/4	2-30
Factory set pressure:			PSI*per turn
15-75 set @ 20 psi			9.0
30-300 set @ 60 psi			27.0
2-30@ 10 psi			3.0

* Approximate - Final adjustment should be made with a pressure gauge and with flow.



ITEM	DESCRIPTION	MATERIAL	PART NUMBER	LIST PRICE
1	Cap	PL	67628J	
2	Adjusting Screw	BRS	7188201D	
3	Jam Nut, 3/8—16	303	6780106J	
4*	Machine Screw 10-32 x 1-1/4"(Fil.Hd.) (8 required)	SS	6757874A	
5	Cover	BRS	C2544K	
6	Nameplate Screw	SS	67999D	
7	Nameplate	BRS	C002201G	
8	Spring Guide	302	71881H	
9	Spring			
	(15-75 psi)	CHR VAN	71884B	
	(30-300 psi)	CHR VAN	71885B	
	(2-30 psi)	SS	81594E	
10	Hex Nut 5/16 - 18	303	71883D	
11	Diaphragm Washer (upper)	302	71891G	
12*	Diaphragm	NBR	C6936D	
13	Plug, Body	BRS	V5653A	
14*	Gasket	FIB	40174F	
15	Plug, 3/8 NPT	BRS	6766003F	
16*	Disc Retainer Assy (15-75 psi & 30-300 psi)	BR/RUB	C5256H	
	Disc Retainer Assy (2-30 psi)	BR/RUB	C5255K	
17	Yoke	VBZ	C1799A	
18	Body & Seat Assy, Seat only 1/4"	BS	8339701J	
19*	Bucking Spring (Required with 2-30 psi)	302	VO5586	
20	Belleville Washer	STL	7055007E	
21	Powerrol Body	BRS	C3388A	
22*	O-Ring	NBR	00708J	
23*	O-Ring	NBR	00746J	
24	Diaphragm Washer (lower)	BRS	C1804J	
25	Gasket	NBC	8059401D	
	Repair Kit (no Bucking Spring) Item 19		9170003K	
	Repair Kit (with Bucking Spring) Item 19		9170001D	

* Suggested Repair Parts

Distributed By: M&M Control Service, INC.

Phone: 800-876-0036

Fax: 847-356-0747

Email: Sales@mmcontrol.com