

Thermowells

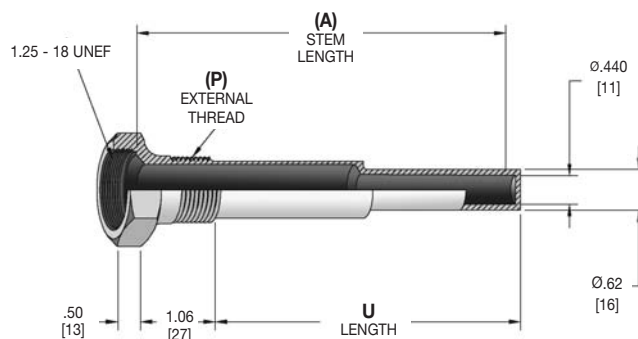
for Industrial Thermometers

All dimensions are nominal. Dimensions in [] are in millimeters.

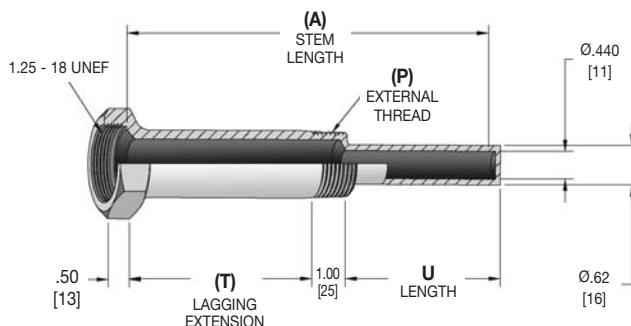
THERMOWELLS

- SX9 Solar
- AX9, BX9, CX9 Adjustable Angle
- AX, BX, CX Rigid Stem
- BX Plus

Standard



with Lagging Extension



Lengths

(A) Stem Length	Standard	with Lagging Extension	
	U Length	(T)	U Length
3 1/2"	2.50 [64]	1.00 [25]	1.70 [43]
6"	5.00 [127]	2.50 [64]	2.50 [64]
8"	7.00 [178]	2.50 [64]	4.50 [114]
12"	10.50 [267]	3.00 [76]	7.50 [191]

Pressure Rating (psi)

Material	Operating Temperature			
	70°F	200°F	400°F	600°F
Brass	640	575	100	—
Carbon Steel	720	690	660	630
304 Stainless Steel	940	850	770	740
316 Stainless Steel	940	940	875	850
Monel	900	825	740	730

Alternative materials and accessories are also available. Please consult the Options and Accessories Section for details.

Selection of the proper thermowell is the sole responsibility of the user. Temperature and pressure limitations must be considered. Improper application may cause failure of the thermowell, resulting in possible personal injury or property damage.

HOW TO ORDER

Sample Order Number: **3-4 F 2**

Thermowell Style	(P) External Thread	(A) Stem Length	(T) Lagging Extension	Material
3- Industrial	3 1/2 NPT*	F 3 1/2" Stem**	A 1" Extension (3 1/2" Stem only)	2 Brass
	4 3/4 NPT	J 6" Stem	D 2 1/2" Extension (6" and longer Stem only)†	3 Steel
	5 1 NPT	L 8" Stem	Omit if None	4 Monel
		R 12" Stem		5 304SS
				6 316SS

* Only available with 3 1/2" stem and 1" extension.

** 3 1/2" stem Straight Shank.

† 3" extension on 12" stem.