

Enclosure TA302

CONTROLLER ACCESSORIES

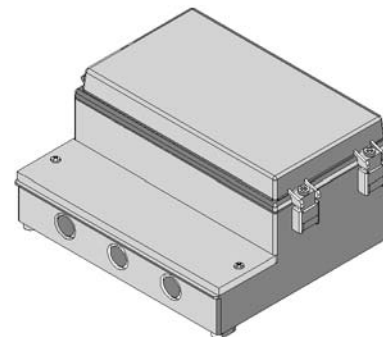
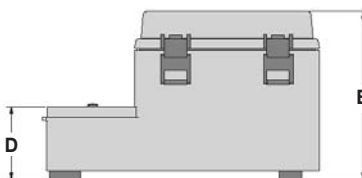
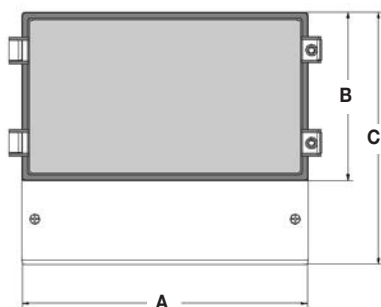


- ▶ Polycarbonate Construction
- ▶ Aluminum Mounting Panel
- ▶ Termination Compartment
- ▶ NEMA 12 Protection

The Trerice **TA302 Enclosure** is ideal for mounting a Trerice Electronic Controller or Digital Indicator. The enclosure is constructed from rugged, impact-resistant polycarbonate and furnished with an anodized aluminum front mounting panel. It can accommodate all Trerice Electronic Control and Indicating devices.

Specifications	
Model	TA302
Size	14.3" x 12.4" x 6.1" (363 x 316 x 156 mm)
Application	Fits all electronic controls and indicating devices
Mounting	Surface
Body and Cover	Polycarbonate enclosure body and transparent cover
Hinges	Polyamide, removable for left or right side mounting
Knockouts	2 x 0.85" and 2 x 1.09"
Front Panel	Anodized aluminum
Protection	NEMA 12
Ambient Temperature	175°F (80°C) maximum
Approximate Shipping Weight	5.5 lbs [2.50 kg]

All dimensions are nominal. Dimensions in [] are in millimeters.



A	B	C	D	E
14.3 [363]	9.2 [234]	12.4 [316]	3.0 [78]	6.1 [156]