

988 Series Pressure Regulator

for Steam Service

PRESSURE REGULATORS



- ▶ Cast-Iron Construction
- ▶ Stainless Steel Seat & Disc
- ▶ 1/2" - 2" Sizes
- ▶ Sensitivity Adjuster

988 shown

The Trerice **988 Series** Pressure Regulator, designed for steam service, provides a sensitive response to reduced pressure changes and delivers the fullest possible volume without an appreciable reduced pressure drop. The 988 includes a spring-loaded diaphragm that can be externally adjusted by the operator to provide a uniform outlet pressure. This regulator is intended for use in testing fixtures, autoclaves, steam tables, vulcanizers, sterilizers and other process applications. It features a "sensitivity adjuster," which can be used to eliminate any vibrating or chattering caused by critical flow requirements.

For optimal performance, the service conditions (medium, flow, temperature, inlet and outlet pressures) of the application must be considered when selecting a valve. Please refer to the Valve Selection Section of this catalog. Improper application may cause failure of the valve, resulting in possible personal injury or property damage.

Specifications

Model	988
Body	Cast-Iron
Diaphragm	Laminated bronze
Trim	Valve Disc: Stainless steel Seat: Stainless steel
Strainer	Stainless steel
Maximum Inlet Pressure	200 psi
Operating Temperature	Maximum: 387°F (197°C)

HOW TO ORDER

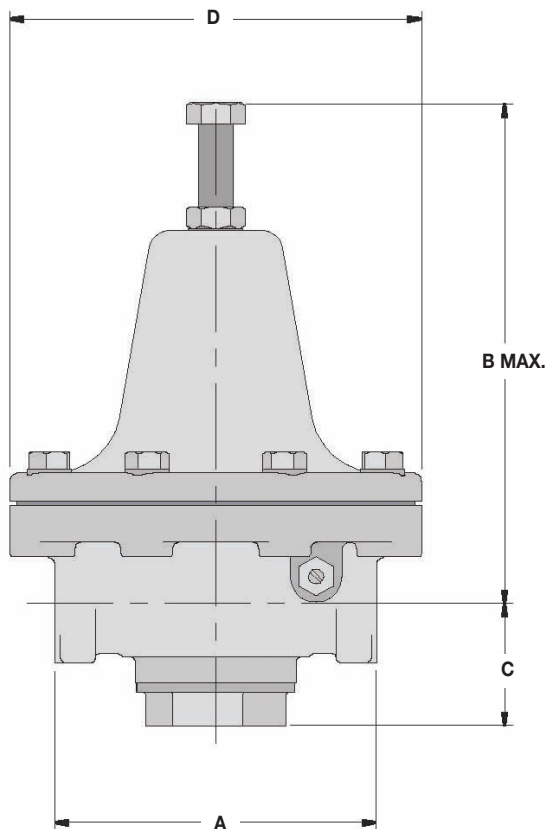
Sample Order Number: **988 O8 B**

Model	Connection Size (NPT)	Reduced Pressure Range
988	04 1/2 NPT	A 3 to 15 psi B 10 to 30 psi C 30 to 140 psi
	06 3/4 NPT	
	08 1 NPT	
	10 1 1/4 NPT	1/2 - 1 1/4 NPT Connection Size only.
12 1 1/2 NPT	16 2 NPT	D 5 to 40 psi
		E 30 to 100 psi

988 Series Pressure Regulator

All dimensions are nominal. Dimensions in [] are in millimeters

PRESSURE REGULATORS



Size (NPT)	A	B	C	D	Approximate Shipping Weight
1/2	4.7 [119]	7.0 [178]	1.9 [48]	6.0 [152]	11 lbs [5.0 kg]
3/4	4.7 [119]	7.0 [178]	1.9 [48]	6.0 [152]	11 lbs [5.0 kg]
1	5.6 [142]	7.5 [191]	2.2 [56]	7.5 [191]	20 lbs [9.1 kg]
1 1/4	5.6 [142]	7.5 [191]	2.2 [56]	7.5 [191]	20 lbs [9.1 kg]
1 1/2	6.6 [168]	11.3 [287]	2.8 [71]	9.0 [229]	40 lbs [18 kg]
2	6.6 [168]	11.3 [287]	2.8 [71]	9.0 [229]	40 lbs [18 kg]

Steam in Pounds Per Hour (pph)

Inlet Pressure (psig)	Reduced Pressure (psig)	Valve Size (NPT)					
		1/2	3/4	1	1 1/4	1 1/2	2
10	5	27	94	133	146	208	240
	10	40	142	200	220	312	360
20	20	48	168	237	261	370	428
	30	54	191	270	297	420	486
30	20	67	237	335	368	522	603
	40	60	210	297	327	464	535
40	30	76	270	381	420	595	686
	40	84	298	421	463	656	758
50	60	70	246	348	382	542	626
	50	92	325	458	504	714	825
60	70	74	262	370	407	577	667
	60	98	348	492	541	766	885
70	70	104	370	523	575	815	942
	50	129	458	646	711	1008	1164
80	80	110	392	554	610	864	998
	60	139	493	696	766	1085	1252
90	100	122	431	608	670	948	1095
	80	156	554	782	860	1219	1408
100	100	172	610	862	948	1342	1550
	80	194	686	968	1065	1509	1743
120	100	211	748	1056	1162	1645	1900
	90	218	772	1090	1198	1698	1961
140	100	244	862	1218	1340	1898	2192
	100	270	955	1349	1484	2102	2428