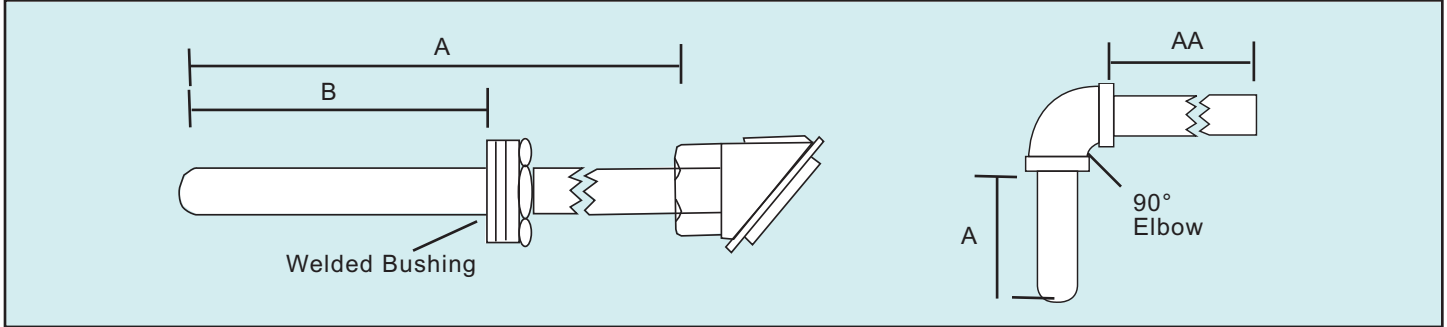




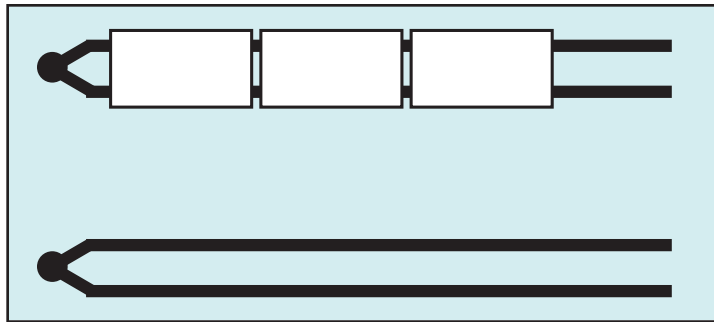
Protection Tube Assemblies and Replacement Thermocouple Elements

Protection tube assembly type thermocouples are designed for high temperature applications such as ovens, kilns, or other processes. Metal protection tubes can be used in applications ranging from 1200°F to 2100°F. Ceramic tubes can be used in applications from 1210°F to 4100°F.



Replacement Sensor Elements

Replacement sensor elements are available as separate parts. All rules regarding lengths and fittings apply. Use the standard Order Code, using a '0' for the tube type, '0' for mounting, '0' for sensor terminals, and '0' for protection tube. See example below.



To order use Order Chart below. Specify "0" for Tube Type. (e.g. - Type K 8 ga. insulated element 12" long is 7K000-110-121-12-02-00).

To order use Order Chart below. Specify "0" for Tube Type. (e.g. - Type K 14 ga. bare element 12" long is 7K000-110-311-12-02-00).

Model Coding

Fill in the appropriate numbers or letters to specify the probe of your choice. Fill in all boxes. If an item or dimension does not apply, fill those boxes with zeros '0'.

<p>7 <input type="text"/> <input type="text"/> <input type="text"/> <input type="text"/> - <input type="text"/> <input type="text"/> <input type="text"/> <input type="text"/> - <input type="text"/> <input type="text"/> <input type="text"/> <input type="text"/> 1 - <input type="text"/> <input type="text"/> - <input type="text"/> <input type="text"/> - <input type="text"/> <input type="text"/> <input type="text"/> <input type="text"/></p>	<p>SENSOR TYPE J (T/C) K (T/C)</p>	<p>HARDWARE TYPE 0 - None 1 - 304 SS 2 - 316 SS 4 - Inconel® 601 5 - Mullite+ 6 - Alumina+ B - Carbon Steel</p>	<p>MOUNTING TYPE 0 - No mounting 1 - Sleeve and Flange 2 - Bushing 3/4 NPT 3 - Bushing 1 NPT 4 - Bushing 1-1/4 NPT 5 - SS Bushing 3/4 NPT 6 - SS Bushing 1 NPT 7 - SS Bushing 1-1/4 NPT</p>	<p>SENSOR TERMINALS 0 - None 1 - Snap Cover, Aluminum Head 2 - Weatherproof Screw Cover Aluminum Head.</p>	<p>ELEMENTS 1 - Single 2 - Dual</p>	<p>BEND 1 - Straight 2 - 45° 3 - 90°</p>	<p>PROTECTION TUBE Metal/Ceramic 0 - None/None 1 - 1/4" pipe/None 2 - None/0.375" OD 3 - None/0.687" OD 4 - 1/2" pipe/None 5 - 3/4" pipe/0.750" OD 6 - None/1.125" OD 7 - 1" pipe/None</p>	<p>*Wire Gauge 0 - None 1 - 8 3 - 14 5 - 20 6 - 24 7 - 30</p>	<p>** Insulators 1 - None 2 - Oval (14 ga wire or larger) 3 - Round (18 ga wire or smaller)</p>	<p>+ Length in 6" increments</p>
--	---	--	--	---	--	---	---	--	--	----------------------------------

TEMPERATURE
Temperature Sensors