

Applications

- Steam Systems (up to 1500 PSIG superheat)
- Dowtherm
- Process Fluids & gases to 3000 PSIG CWP (ie: Acids, Caustics Nitrogen, etc.)
- Manifolds on Steam Traps, Valves, Pumps & Compressors
- Nuclear Power Plants
- Hydraulic Fluids/ Hot Oils

UNIFLEX Carbon/Stainless Steel Pipe Couplings

**Pressures To 3000 PSIG
Temperatures to 850°F**

Reduced Energy Costs

Spiral wound gasket assures long life and leak tight seal.

Accepted where Standard Unions are Inadequate

Seal equivalent to flange connections meets fugitive emissions needs.

Suitable for Most Services

Carbon steel and 316L stainless steel housings and a variety of gasket materials available to meet demands of most applications.

No Welding Damage to Seal

Because seal is installed after welding, the danger of damaging seal is eliminated.

Sizes to Meet Most Requirements

Available in 1/2" to 2", socketweld or threaded for a wide variety of piping needs.

Reduced Labor Costs

No need to replace union housing or spring pipe during make-up or disassembly which reduces time by more than 60%.

Reduced Cost of Materials

Only a change of gasket is required when disassembled.

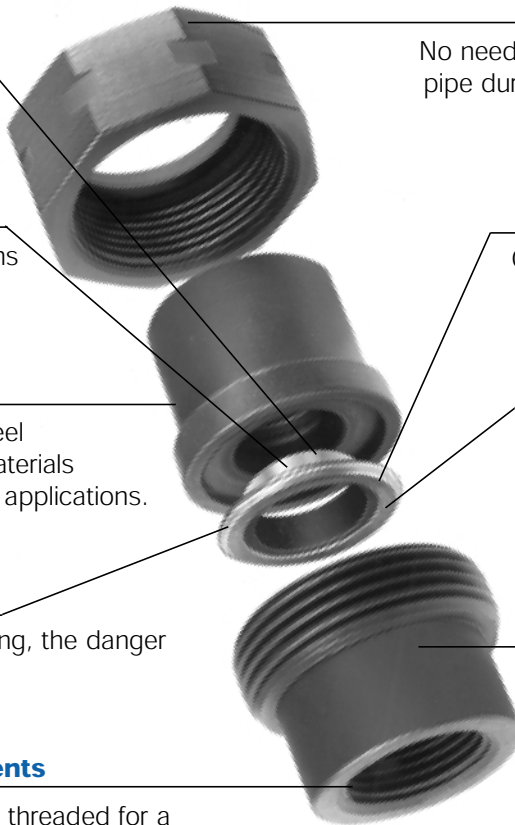
Reduced Dollars in Inventory

Only a few gasket kits required. Components may be stocked and replaced individually because mated parts are not needed.

Components Interchangeable

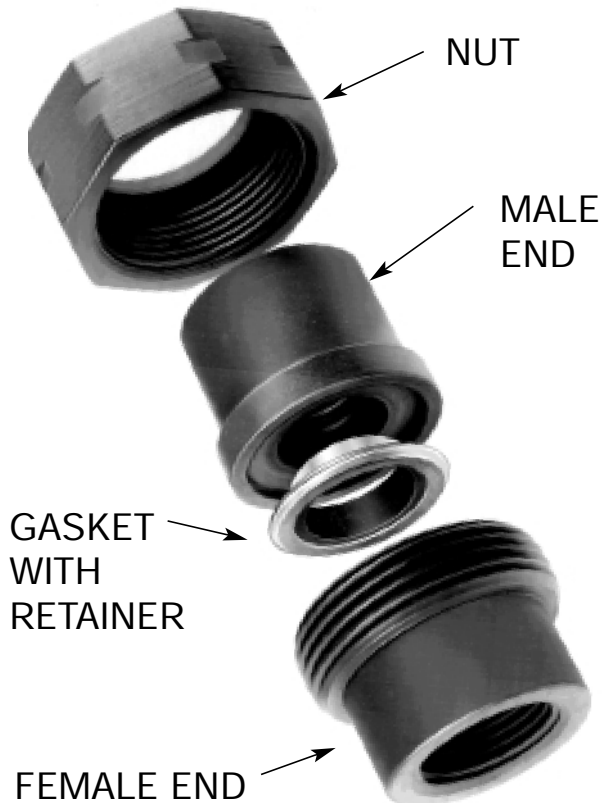
All components within each size class are fully interchangeable. End connections can be socket weld, threaded or a combination of both.

Meets MSS-SP-83 for 3000 pound unions.



UNIFLEX COUPLINGS AND GENERAL USE VALVES

Reduce your maintenance and stocking costs with **NICHOLSON**'s Uniflex Pipe Coupling. Uniflex has a spiral wound gasket that has successfully solved frequent leakage, intensive maintenance and stocking difficulties associated with ground joint pipe unions. A spreadsheet program is available upon request which calculates guaranteed savings when using Uniflex. **NICHOLSON** innovations set the standard.



UNIFLEX STEEL/STAINLESS PIPE COUPLINGS

Pressures To 3000 PSIG (207 barg)

Temperatures to 850°F (454°C)

No Energy Losses — from expensive steam and process fluid leaks. A spiral-wound gasket ensures a leak-tight seal.

Lower Maintenance/Labor Costs — Replacement of the union housing is eliminated. Only a change of gasket is required when the Uniflex Coupling is disassembled. No need to spring the pipe during make-up or disassembly. It is less costly to make and break than flanges.

Lower Inventory Costs — Only a few Uniflex Pipe Couplings and gasket kits in each size are required to back up installations. One Uniflex satisfies all pressure series of flanges in pipe sizes 1/2" to 2".

Ease of Installation — The gasket is held firmly in place with a patented retainer. There is no danger of damaging the seal during installation as it is fully protected from overtorquing.

Welded Piping Systems — With the gasket removed while welding coupling into the piping, the danger of damaging the seal is eliminated. Costly removal of sections of pipe to replace leaky unions is eliminated.

Component Interchangeability — All components of the Uniflex Couplings, in each size class, are fully interchangeable. End connections can be socket weld, threaded, or a combination of both.

APPLICATIONS

- Steam Systems—up to 1500 PSIG Superheat
- Dowtherm
- Variety of process fluids and gases to 3000 PSIG CWP, i.e.: Acids, Caustics, Nitrogen, etc.
- Steam Trap, Valve, Pump & Compressor Manifolds
- Nuclear Power Plants
- Hydraulic Fluids/Hot Oils

OPTIONS

- Teflon Gasket Filler
- Type 347 SS, Type 316 SS, Monel, Inconel 600, Hastalloy, Nickel Gasket Windings (other materials available on request)

Canadian Registration # 0A0583.9C

MODELS

- **SUA-T**—Threaded Carbon Steel
- **SUA-SW**—Socketweld Carbon Steel
- **SUASS-T**—Threaded Stainless Steel
- **SUASS-SW**—Socketweld Stainless Steel
- **SUG**—Gasket Kit includes 10 gaskets.
- **SUGR**—Gasket Kit includes 10 gaskets and 10 retaining rings

Call or visit our website for **FREE** sample and cost savings spreadsheet.

Installation Tip: Use UNIFLEX in all Regulator and Trap Stations through 2" to simplify future changeouts.

OPERATION

The Uniflex Pipe Coupling (SUA) has successfully solved frequent leakage, intensive maintenance and stocking difficulties associated with ground joint-pipe unions.

The SUA is a modified forged steel or stainless steel pipe union utilizing a Spiral-Wound Gasket

to provide a leak-tight joint. This design, similar in principle to flange joints, has been proven in the field for many years. Because the joint seal is formed by the replaceable gasket (not a ground joint finish), failures caused by poor mating surfaces are eliminated. Components may be stocked and replaced individually because mated parts are not required for sealing.

UNIFLEX STEEL/STAINLESS PIPE COUPLINGS

SPECIFICATION

Union shall be of the straight-through design with connections oppositely aligned, suitable for either horizontal or vertical piping installations. Union shall meet standards of MSS SP-83 for 3000 lb. unions. Connections shall be either screwed or socketweld and union shall have threaded nut. Gasket shall be of the spiral wound design and a retainer shall be utilized to locate and hold gasket during installation.

Union housing shall be forged steel ASTM A105 and have a pressure rating of 3000 PSIG at 100°F or type 316L stainless steel and have a pressure rating of 2430 PSIG at 100°F. Gasket winding shall be type 304 stainless steel with filler material of graphite. Gasket retainer shall be of type 316 stainless steel.

MAXIMUM OPERATING CONDITIONS

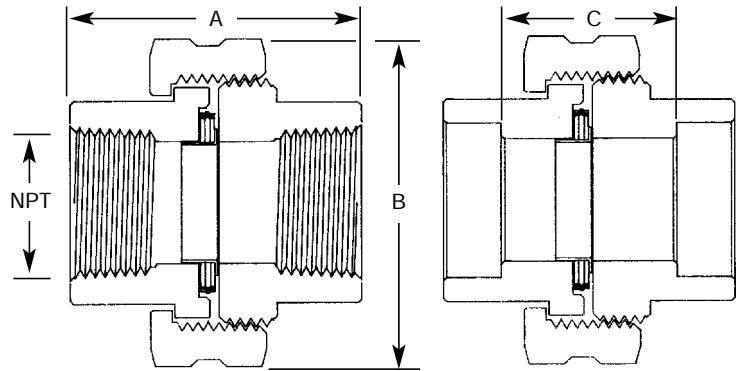
PMO: Max. Operating Pressure see Chart
TMO: Max. Operating Temperature see Chart

MATERIALS OF CONSTRUCTION

Housing: Forged Carbon Steel, ASTM-A-105 or Type 316L SS
Gasket: Spiral wound 304 Stainless w/graphite filler
Gasket Retainer: Type 316 Stainless Steel

ORDERING NOTE: If ordering different connection types (SW and NPT) on each end, the female end should be specified first.

Ex.: SUA-T (SW / NPT) = SW female / NPT male.



Uniflex Model SUA-T

Uniflex Model SUA-SW

Connections:
1/2"-2" NPT or socketweld

Dimensions				
Pipe Size	Inches (mm)			Weight Lbs (kg)
	A	B	C	
1/2"	2.0 (51)	1.8 (46)	.9 (24)	0.8 (.36)
3/4"	2.2 (56)	2.2 (56)	1.1 (29)	1.2 (.55)
1"	2.4 (62)	2.6 (65)	1.1 (29)	1.6 (.73)
1 1/4"	2.8 (71)	3.0 (77)	1.4 (35)	2.5 (1.2)
1 1/2"	3.0 (76)	3.4 (86)	1.5 (38)	3.3 (1.5)
2"	3.4 (86)	4.1 (103)	1.6 (41)	4.7 (2.2)

Average weights listed—actual weights may vary slightly

Temperature/Pressure Ratings†		
Temperature	Pressure (PSIG) Carbon Steel	Pressure (PSIG) 316L SS
100°F	3000 (-20°F*)	2430 (-325°F*)
200°F	2735	2050
300°F	2655	1835
400°F	2565	1670
500°F	2425	1545
600°F	2220	1460
700°F	2155	1390
800°F	—	1330
850°F	—	1300

*Minimum recommended temperature
†For 3000 lb. unions from MSS SP-83.



TYPE D & D2 DIFFERENTIAL PRESSURE VALVE

SIZES 1/4" – 1/2"
PRESSURES to 600 PSIG at 750°F

- Self-contained
- Direct Operated
- Normally Open
- Packless Construction
- Accurate Regulation Unaffected by Service Conditions
- Easy In-line Maintenance
- Five Spring Ranges for Improved Control
- Utilizes Many Standard D/D2 Pilot Components

APPLICATION DATA

- Pressure Regulating for Steam Distribution
- Regulating for Fluid, Gas and Vapor Process Control
- Processes with Small, Relatively Steady Flow Rates

VALVE RATINGS

Construction	Pressure PSIG (bar)	Temperature °F (°C)
Cast Iron	250 (17.2)	@ 400 (204)
Cast Steel	600 (41.4)	@ 750 (400)

SPRING PRESSURE RANGES (PSIG)

TYPE D	TYPE D2
3-20	100-300
5-50	
10-100	
20-150	

Canadian Registration # OC 0591.9C

Installation Tip: Add Uniflex Pipe Coupling for ease of maintenance
SEE PAGE 102

MODELS

- **TYPE D VALVE** — ±1 PSI control of delivery pressure between 3 and 150 PSI
- **TYPE D2 VALVE** — ±2 PSI control of delivery pressure between 100 and 300 PSI

OPTIONS

- Enclosed Spring Chamber
- Adjusting Handwheel
- Composition Disc
- Wall Bracket
- Locking Device

TYPICAL CONFIGURATIONS

PRESSURE REDUCINGTYPE D VALVE
PRESSURE REDUCINGTYPE D2 VALVE

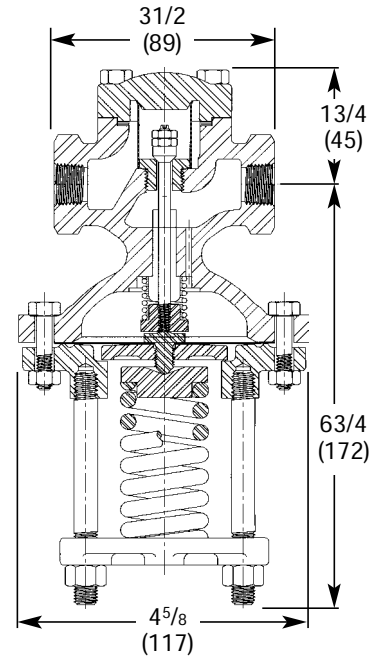
TYPE D & D2 DIFFERENTIAL PRESSURE VALVE

SPECIFICATION

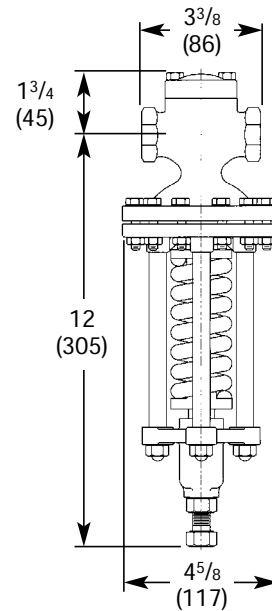
The Valve shall be of normally open design with packless construction. A strainer Screen shall be built into the valve inlet. The valve shall be single- seated, spring loaded and diaphragm actuated.

MATERIALS OF CONSTRUCTION

Body, Cast Iron	ASTM A126 CI B
Body, Cast Steel	ASTM A216 GR. WCB
Stem	303 St. Stl. ASTM A582 COND A
Disc	440 St. St. ASTM A276-75 COND A
Seat	420 St. Stl ASTM A276 COND A
Gasket	Non-Asbestos
Diaphragm	301 St. Stl. MIL-5-5059C
Spring	Inconel



D VALVE
7.3 LBS.
(3.3 KG)



D2 VALVE
10.6 LBS.
(4.8 KG)