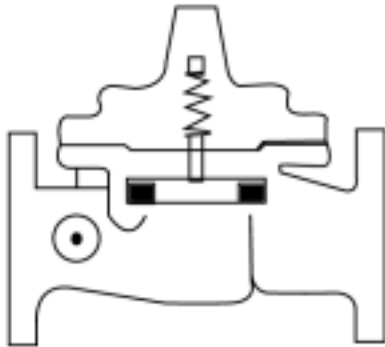


CLA-VAL

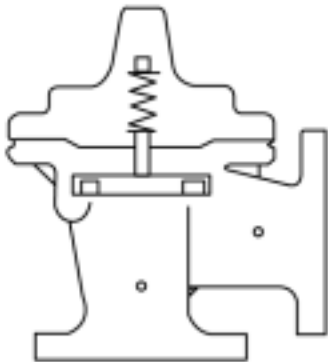
AUTOMATIC CONTROL VALVES

124-02/624-02

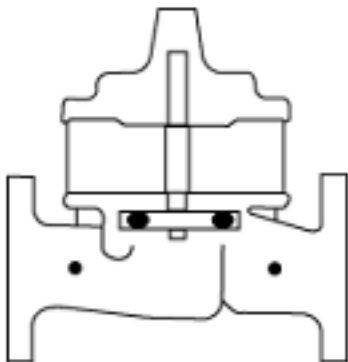
Place this manual with personal responsible
for maintenance of this valve



INSTALLATION



OPERATION



MAINTENANCE



Distributed By: M&M Control Service, INC.

Phone: 800-876-0036 Fax: 847-356-0747

Email: Sales@mmcontrol.com

INSTALLATION / OPERATION / MAINTENANCE



— MODEL 124-02
624-02

Float Valve

INTRODUCTION

The Cla-Val 124-02/624-02 is an automatic valve designed to open wide when liquid level reaches a predetermined low point and to shut drip tight when a predetermined high point is reached. It is a hydraulically operated, pilot controlled, diaphragm type globe or angle valve. The Float Valve is actuated by a float ball to limit the high and low liquid levels in the tank or reservoir by closing or opening the main valve. High and low liquid levels are adjustable. The float control can be remotely located only if the flowing line pressure at the valve inlet (in psi) is equal to or greater than the elevation (in feet) from the main valve to the float pilot control.

INSTALLATION

1. Allow sufficient room around the valve assembly to make adjustments and maintenance.

NOTE: before the valve is installed, the pipeline should be flushed of all chips, scale and foreign matter.

2. It is recommended that a gate or line block valves be installed upstream of the 124-02/624-02 valve assembly to facilitate isolating the valve for preventive maintenance. If the discharge from the Float Valve is to atmosphere, an outlet shutoff valve may not be required.

3. Place the valve assembly in the line with flow through the valve in the direction of flow arrows or by the inlet nameplate. Check all fittings and hardware for proper makeup and that no apparent damage is evident.

4. Cla-Val Valves operate with maximum efficiency when mounted in horizontal piping with the cover UP; however, other positions are acceptable. Due to size and weight of cover and internal components of six inch valves and larger, installation with the cover up is advisable. This makes periodic inspection of internal parts readily accessible.

5. When the valve is installed over water in the tank or reservoir mount the valve to position the float rod and ball assembly (item 3 CF1-C1) **vertically down** from the valve.

6. If the surface of the water in the tank is subject to waves by wind or by valve discharge, **a stilling well must be installed around the float ball assembly.** 8" I.D. PVC pipe is suggested.

7. **INITIAL ADJUSTMENT.** See CF1-C1 on reverse side for proper assembly of the float rod, ball and stop collars and threading into the Link Assembly. Temporarily remove float. Adjust counterweight on the rod to balance the weight of the link assembly and float rod assembly, less the float. Replace float.

8. Move float rod to the "up" position. Adjust the upper stop collar on the float rod assembly approximately three inches above the high water level desired in the tank. Move float rod to "down" position. Adjust the lower stop collar on the float rod assembly approximately three inches below the desired low water level. Tighten stop collar screws on the CF1-C1.

OPERATION AND START-UP

1. Prior to pressurizing the valve assembly make sure the necessary gauges to measure pressure in the system are installed as required by the system engineer. A Cla-Val X101 Valve Position Indicator may be installed in the center cover port to provide visual indication of the valve stem position during start-up.

CAUTION: During start-up and test procedures a large volume of water may be discharged downstream. Check that the downstream venting is adequate to prevent damage to personnel and equipment. If the main valve closes too fast it may cause surging in upstream piping.

2. If isolation valves (B) are installed in the pilot system, open valves (see schematic).

3. Slowly open the upstream block valve.

4. While the tank is filling the float link assembly (CF1-C1 item 19) can be moved slowly to the up position to manually close the main valve. This operation tests the closure of the Float Valve and also will purge air from the control lines and cover chamber. Carefully loosen tube fittings at highest points and bleed air from system. Carefully loosen the plug at top of main valve cover. If an indicator is installed, carefully loosen the vent at top of indicator. Bleed air from cover and tighten plug. Tighten tube fittings.

MAINTENANCE

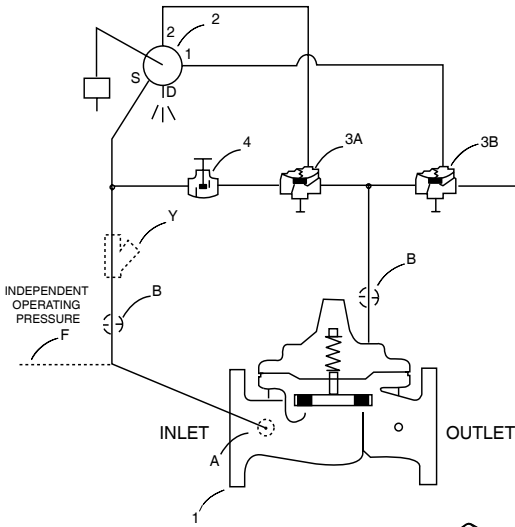
1. Cla-Val Valves and Controls require no lubrication or packing and a minimum of maintenance. However, a periodic inspection schedule should be established to determine how the fluid handled is affecting the efficiency of the valve assembly. Minimum of once per year.

2. Repair and maintenance procedures of the Cla-Val Hytrol Main Valve and the control components are included in a more detailed IOM manual. It can be downloaded from our web site (www.cla-val.com) or obtained by contacting a Cla-Val Regional Sales Office.

3. **When ordering parts always refer to the catalog number and stock number on the valve nameplate.**

SYMPTOM	PROBABLE CAUSE	REMEDY
Continuous drain from control discharge port	Damaged auxiliary valve diaphragm (3B)	Replace diaphragm
	Loose diaphragm assembly auxiliary valve (3B)	Tighten assembly
	Damaged control (2)	Replace control (pilot)
Continuous flow from control discharge	Damaged (2)	Replace control (pilot)
	Damaged auxiliary valve diaphragm (3A)	Replace diaphragm
	Loose diaphragm assembly auxiliary valve (3A)	Tighten assembly
Main valve fails to close	Lack of pressure at valve inlet (install gauge at valve inlet to check for this problem) Note it pressure at valve inlet is above 5 psi	Increase inlet pressure to 5 psi (minimum requirement under flowing conditions)
	isolation valve in control tubing closed	Open isolation valve
	Float and float rod fails to move with liquid level change (stays in down position)	Free float mechanism
Main valve fails to open	Inlet gate or block valve closed.	Open isolation valve
	Float and float rod fails to move with liquid level change (stays in up position)	Free float mechanism

124-02/624-02 SCHEMATIC



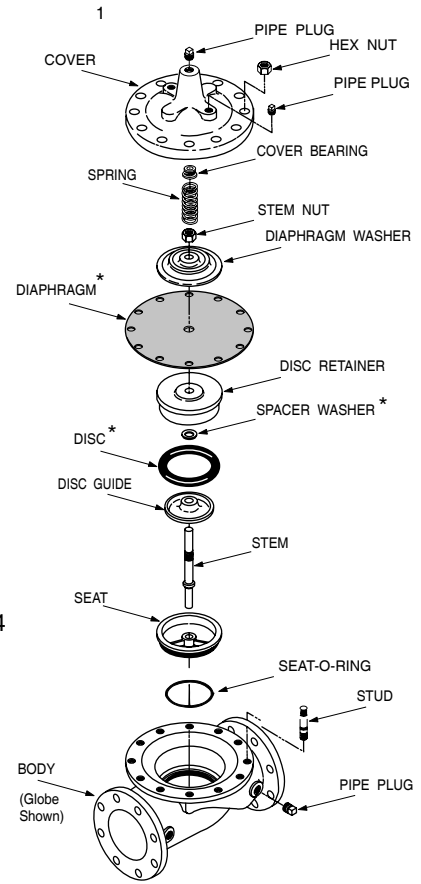
BASIC COMPONENTS

- 1 100-01 Hytrol (Main Valve)
- 100-20 600 Series Hytrol (Main Valve)
- 2 CF1-C1 Float Control
- 3 100-01 Hytrol (Reverse Flow)
- 4 CGB Globe Valve

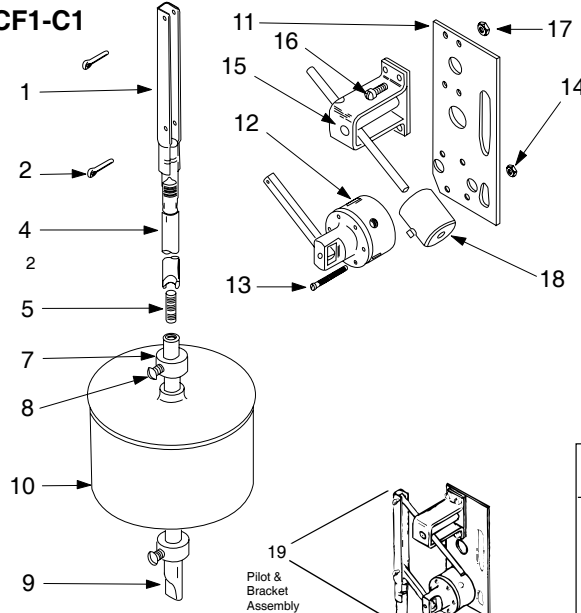
OPTIONAL FEATURES

- A X46A Flow Clean Strainer
- B Cock (Isolation Valve)
- F Independent Operating Pressure
- S CGB Globe Valve
- Y X43 "Y" Strainer

HYTROL MAIN VALVE



CF1-C1



X46A
A



CK2
B



CGB
4,S



X43
Y



***Repair Parts**

ITEM	DESCRIPTION
1	Link Assembly
2	Cotter Pins (2 req'd)
3	Float Rod Assembly (2 ft.)
FLOAT ROD ASSY. BREAKDOWN	
ITEMS 4 - 9	
4	Upper Float Rod (1 ft.)
	Upper Float Rod (2 ft.)
5	Stud (Req. for connecting upper and lower rods and one for each extension rod)
6	Extension Float Rod (1 ft.)
	Extension Float Rod (2 ft.)
7	Stop Collar (2 req'd)
8	Set Screw (1 ea. stop collar)
9	Lower Float Rod (1 ft.)
	Lower Float Rod (2 ft.)
10	Float Ball
11	Base and Mounting Plate
12	Pilot Valve Assembly CF1-C1
13	Machine Screw 6/32 x 1 1/2" (6 req'd.)
14	Hex Nut 6/32 (6 req)
15	Counter Balance Bracket Assy.
16	Machine Screw 10/32 x 9/16" (4 req'd.)
17	Hex Nut 10/32 (4 req'd.)
18	Counterweight (varies with rod length, includes set screws)
19	Pilot & Bracket Assembly CF1-C1
	COUNTERWEIGHT NOT INCLUDED

CVCL 1 ② 3 4

DIST CODE 002

SHEET 1 OF 3



CATALOG NO.
124-02/624-02

DRAWING NO.
89580

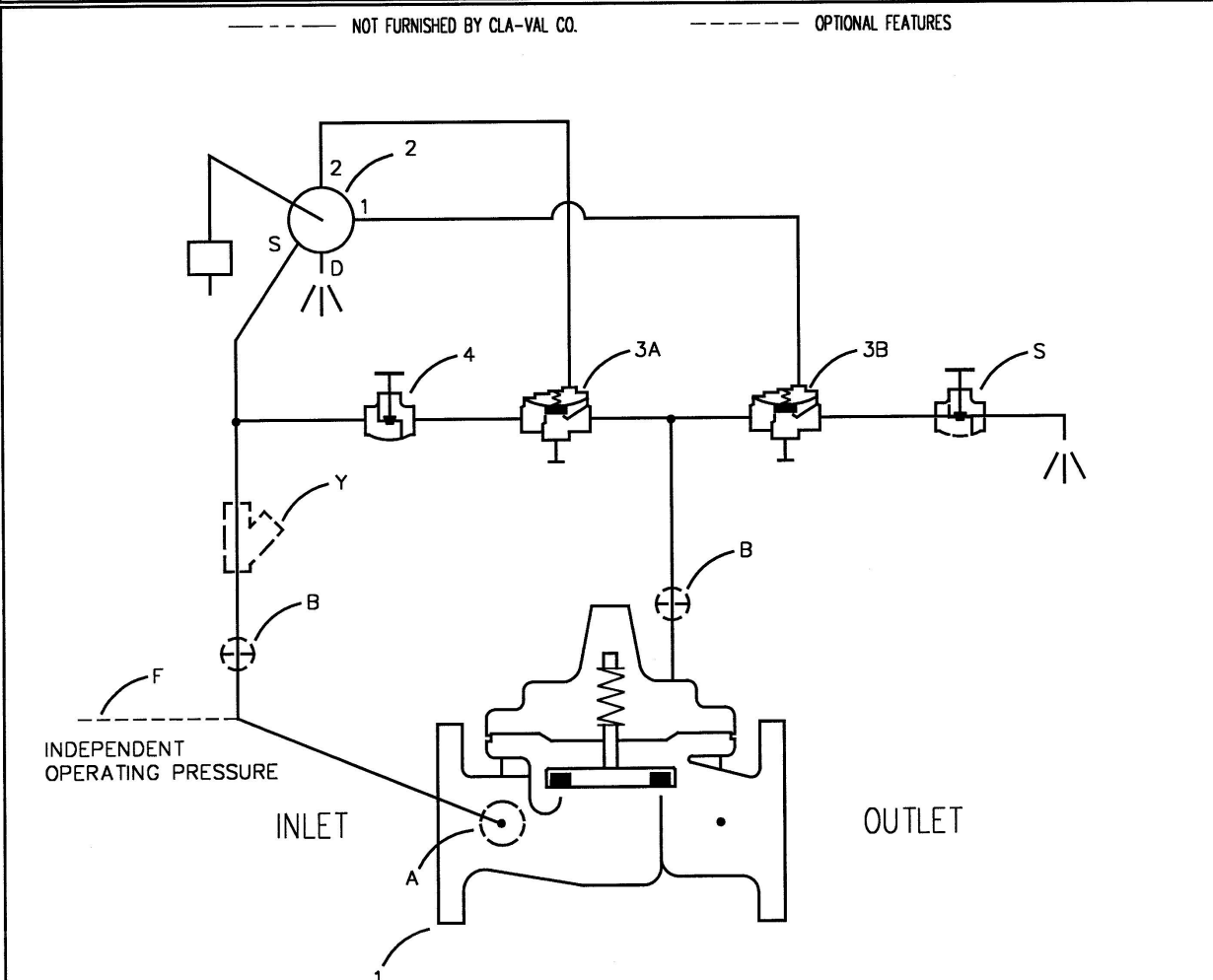
REV
C

TYPE OF VALVE AND MAIN FEATURES
FLOAT VALVE
4" THRU 16"

DESIGN		
DRAWN	DP	2-12-75
CHK'D	MF	2-13-75
APVD	JAS	2-13-75

B	CAT. NO. WAS 124-02: ADDED 100-20 (624-02) HYTROL TO ITEM 1 & REDRAWN ON CAD (ECO 14236)	EK	11-11-93
C	ITEM #4 & "S" FEATURE CHANGED FLOW DIRECTION (ECO 18489)	AK	2-19-01

BY	DATE
KV	7-7-82
CAD REVISION RECORD - DO NOT REVERSE MANUALLY	
DESCRIPTION	
A	CHANGE DESCR. TO READ 4" THRU 16" FROM 8" & LARGER (NED 30387)



* 4" & LARGER
** 6" & LARGER

ITEM NO.	BASIC COMPONENTS	QTY
1	*100-01 HYTROL (124-02) MAIN VALVE	1
	**100-20 HYTROL (624-02) MAIN VALVE	
2	CF1-C1 FLOAT CONTROL	1
3	100-01 HYTROL (REVERSE FLOW)	2
4	CGB GLOBE VALVE	1

OPTIONAL FEATURE SUFFIX	ADDED TO CATALOG NUMBER	QTY
A	X46A FLOW CLEAN STRAINER	1
B	CK2 COCK (ISOLATION VALVE)	2
F	INDEPENDENT OPERATING PRESSURE	
S	CGB GLOBE VALVE	1
Y	X43 "Y" STRAINER	1

"THIS DRAWING IS THE PROPERTY OF CLA-VAL CO. AND SAME AND COPIES MADE THEREOF, IF ANY, SHALL BE RETURNED TO IT UPON DEMAND. DELIVERY AND DISCLOSURE HEREOF ARE SOLELY UPON CONDITION THAT THE SAME SHALL NOT BE USED, COPIED OR REPRODUCED, NOR SHALL THE SUBJECT HEREOF BE DISCLOSED IN ANY MANNER TO ANYONE FOR ANY PURPOSE, EXCEPT AS HEREIN AUTHORIZED, WITHOUT PRIOR WRITTEN APPROVAL OF CLA-VAL CO. THIS DRAWING IS SUBMITTED CONFIDENTIALLY AND MAY NOT BE USED IN THE MANUFACTURE OF ANY MATERIAL OR PRODUCT OTHER THAN SUCH MATERIALS AND PRODUCTS FURNISHED TO CLA-VAL CO. WHETHER OR NOT THE EQUIPMENT OR INFORMATION SHOWN HEREON IS PATENTED OR OTHERWISE PROTECTED, FULL TITLE AND COPYRIGHTS, IF ANY, IN AND TO THIS DRAWING AND/OR INFORMATION DELIVERED OR SUBMITTED ARE FULLY RESERVED CLA-VAL CO."

CVCL 1 ② 3 4

DIST CODE 002

SHEET 2 OF 3

CLA-VAL CO. NEWPORT BEACH, CALIFORNIA	CATALOG NO. 124-02/624-02	DRAWING NO. 89580	REV C
	TYPE OF VALVE AND MAIN FEATURES FLOAT VALVE 4" THRU 16"		DESIGN DRAWN DP 2-12-75 CHK'D MF 2-13-75 APVD JAS 2-13-75

OPERATING DATA

I. FLOAT CONTROL FEATURE:

FLOAT CONTROL (2) IS A FLOAT ACTUATED, MULTI-PORT, PLATE TYPE PILOT VALVE THAT APPLIES OR RELIEVES PRESSURE IN THE COVER CHAMBERS OF AUXILIARY HYTROLS (3A) & (3B). THE FLOAT ASSEMBLY FLOATS ON TOP OF THE LIQUID IN THE RESERVOIR AND SLIDES UP AND DOWN THE FLOAT ARM. ADJUSTABLE STOPS ON THE FLOAT ARM LIMIT THE DISTANCE BETWEEN THE HIGH AND LOW LEVELS. REFER TO THE FOLLOWING TABLE FOR DETAILED OPERATION:

LIQUID LEVEL IN RESERVOIR	FLOAT CONTROL (2)		AUXILIARY HYTROL (3A) POSITION	AUXILIARY HYTROL (3B) POSITION	MAIN VALVE (1) POSITION
	FLOAT POSITION	PORTS CONNECTED			
HIGH	UP	SUPPLY TO PORT 1	OPEN	CLOSED	CLOSED
LOW	DOWN	PORT 1 TO DRAIN	CLOSED	OPEN	OPEN

II. CLOSING SPEED CONTROL:

GLOBE VALVE (4) CONTROLS THE CLOSING SPEED OF THE MAIN VALVE. TURN THE HANDWHEEL ON VALVE (4) CLOCKWISE TO MAKE THE MAIN VALVE CLOSE SLOWER. DO NOT CLOSE VALVE (4) COMPLETELY OR THE MAIN VALVE WILL NOT CLOSE.

III. OPTIONAL FEATURE OPERATING DATA:

SUFFIX A (FLOW CLEAN STRAINER)

A SELF-CLEANING STRAINER IS INSTALLED IN THE MAIN VALVE INLET BODY BOSS WHICH PROTECTS THE PILOT SYSTEM FROM FOREIGN PARTICLES.

SUFFIX B (ISOLATION VALVES)

CK2 COCKS (B) ARE USED TO ISOLATE THE PILOT SYSTEM FROM MAIN LINE PRESSURE. THESE VALVES MUST BE OPEN DURING NORMAL OPERATION.

SUFFIX F (INDEPENDENT OPERATING PRESSURE)

PILOT SUPPLY PRESSURE IS OBTAINED FROM AN INDEPENDENT SOURCE. (PILOT SUPPLY PRESSURE IS OBTAINED FROM THE MAIN VALVE INLET IF SUFFIX (F) IS NOT SPECIFIED.) NOTE: INDEPENDENT OPERATING PRESSURE MUST BE EQUAL TO OR GREATER THAN PRESSURE AT THE MAIN VALVE INLET AT ALL TIMES.

DATE	
BY	
DESCRIPTION	
L/TR	

CAD REVISION RECORD - DO NOT REVISE MANUALLY


SEE SHEET 1

THIS DRAWING IS THE PROPERTY OF CLA-VAL CO. AND SAME AND COPIES MADE THEREOF, IF ANY, SHALL BE RETURNED TO IT UPON DEMAND. DELIVERY AND DISCLOSURE HEREOF ARE SOLELY UPON CONDITION THAT THE SAME SHALL NOT BE USED, COPIED OR REPRODUCED, NOR SHALL THE SUBJECT HEREOF BE DISCLOSED IN ANY MANNER TO ANYONE FOR ANY PURPOSE, EXCEPT AS HEREIN AUTHORIZED, WITHOUT PRIOR WRITTEN APPROVAL OF CLA-VAL CO. THIS DRAWING IS SUBMITTED CONFIDENTIALLY AND MAY NOT BE USED IN THE MANUFACTURE OF ANY MATERIAL OR PRODUCT OTHER THAN SUCH MATERIALS AND PRODUCTS FURNISHED TO CLA-VAL CO. WHETHER OR NOT THE EQUIPMENT OR INFORMATION SHOWN HEREON IS PATENTED OR OTHERWISE PROTECTED, FULL TITLE AND COPYRIGHTS, IF ANY, IN AND TO THIS DRAWING AND/OR INFORMATION DELIVERED OR SUBMITTED ARE FULLY RESERVED CLA-VAL CO.™

CVCL 1 ② 3 4

DIST CODE 002

SHEET 3 OF 3

 CLA-VAL CO. NEWPORT BEACH, CALIFORNIA	CATALOG NO. 124-02/624-02	DRAWING NO. 89580	REV C
	TYPE OF VALVE AND MAIN FEATURES FLOAT VALVE 4" THRU 16"		DESIGN DRAWN DP 2-12-75 CHK'D MF 2-13-75 APVD JAS 2-13-75

OPERATING DATA (CONTINUED)

SUFFIX S (OPENING SPEED CONTROL)

GLOBE VALVE (S) CONTROLS THE OPENING SPEED OF THE MAIN VALVE. TURN THE HANDWHEEL CLOCKWISE TO MAKE THE MAIN VALVE OPEN SLOWER. DO NOT CLOSE VALVE S COMPLETELY OR THE MAIN VALVE WILL NOT OPEN.

SUFFIX Y (Y-STRAINER)

A Y-PATTERN STRAINER IS INSTALLED IN THE PILOT SUPPLY LINE TO PROTECT THE PILOT SYSTEM FROM FOREIGN PARTICLES. THE STRAINER SCREEN MUST BE CLEANED PERIODICALLY.

IV. CHECK LIST FOR PROPER OPERATION:

- () SYSTEM VALVES OPEN UPSTREAM AND DOWNSTREAM.
- () AIR REMOVED FROM THE MAIN VALVE COVER AND PILOT SYSTEM AT ALL HIGH POINTS.
- () CK2 COCKS (B) OPEN (OPTIONAL FEATURE).
- () PERIODIC CLEANING OF STRAINER (Y) IS RECOMMENDED.
- () GLOBE VALVE (S) OPEN AT LEAST 1/4 TURN (OPTIONAL FEATURE).
- () GLOBE VALVE (4) OPEN AT LEAST 1/4 TURN.
- () INDEPENDENT OPERATING PRESSURE CONNECTION PROPERLY CONNECTED.

CAD REVISION RECORD - DO NOT REVISE MANUALLY	DESCRIPTION	BY	DATE
	LTR	SEE SHEET 1	

THIS DRAWING IS THE PROPERTY OF CLA-VAL CO. AND SAME AND COPIES MADE THEREOF, IF ANY, SHALL BE RETURNED TO IT UPON DEMAND. DELIVERY AND DISCLOSURE HEREOF ARE SOLELY UPON CONDITION THAT THE SAME SHALL NOT BE USED, COPIED OR REPRODUCED, NOR SHALL THE SUBJECT HEREOF BE DISCLOSED IN ANY MANNER TO ANYONE FOR ANY PURPOSE, EXCEPT AS HEREIN AUTHORIZED, WITHOUT PRIOR WRITTEN APPROVAL OF CLA-VAL CO. THIS DRAWING IS SUBMITTED CONFIDENTIALLY AND MAY NOT BE USED IN THE MANUFACTURE OF ANY MATERIAL OR PRODUCT OTHER THAN SUCH MATERIALS AND PRODUCTS FURNISHED TO CLA-VAL CO. WHETHER OR NOT THE EQUIPMENT OR INFORMATION SHOWN HEREON IS PATENTED OR OTHERWISE PROTECTED, FULL TITLE AND COPYRIGHTS, IF ANY, IN AND TO THIS DRAWING AND/OR INFORMATION DELIVERED OR SUBMITTED ARE FULLY RESERVED CLA-VAL CO.

INSTALLATION / OPERATION / MAINTENANCE



— MODEL — **100-01**
Hytrol Valve

Description

The Cla-Val Model 100-01 Hytrol Valve is a main valve for Cla-Val Automatic Control Valves. It is a hydraulically operated, diaphragm-actuated, globe or angle pattern valve.

This valve consists of three major components; body, diaphragm assembly, and cover. The diaphragm assembly is the only moving part. The diaphragm assembly uses a diaphragm of nylon fabric bonded with synthetic rubber. A synthetic rubber disc, contained on three and one half sides by a disc retainer and disc guide, forms a seal with the valve seat when pressure is applied above the diaphragm. The diaphragm assembly forms a sealed chamber in the upper portion of the valve, separating operating pressure from line pressure.



Installation

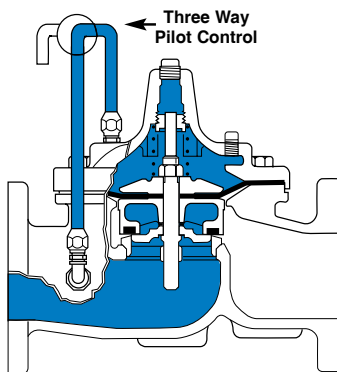
1. Before valve is installed, pipe lines should be flushed of all chips, scale and foreign matter.
2. It is recommended that either gate or block valves be installed on both ends of the 100-01 Hytrol Valve to facilitate isolating the valve for preventive maintenance and repairs.
3. Place the valve in the line with flow through the valve in the direction indicated on the inlet nameplate. (See "Flow Direction" Section)
4. Allow sufficient room around valve to make adjustments and for disassembly.
5. Cla-Val 100-01 Hytrol Valves operate with maximum efficiency when mounted in horizontal piping with the cover UP, however,

other positions are acceptable. Due to size and weight of the cover and internal components of 8 inch and larger valves, installation with the cover UP is advisable. This makes internal parts readily accessible for periodic inspection.

6. If a pilot control system is installed on the 100-01 Hytrol Valve, use care to prevent damage. If it is necessary to remove fittings or components, be sure they are kept clean and replaced exactly as they were.

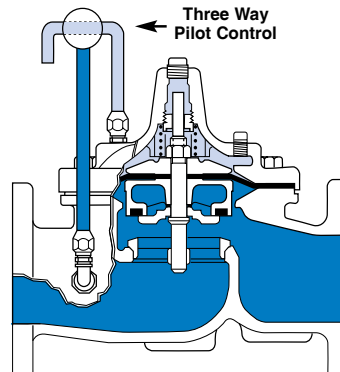
7. After the valve is installed and the system is first pressurized, vent air from the cover chamber and pilot system tubing by loosening fittings at all high points.

Principles of Operation



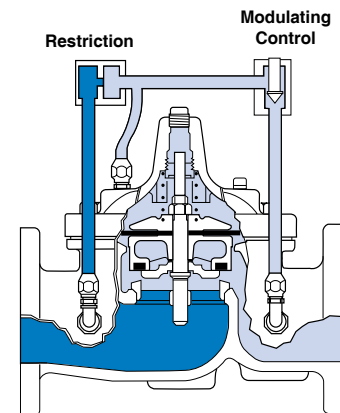
Tight Closing Operation

When pressure from the valve inlet (or an equivalent independent operating pressure) is applied to the diaphragm chamber the valve closes drip-tight.



Full Open Operation

When pressure in diaphragm chamber is relieved to a zone of lower pressure (usually atmosphere) the line pressure (5 psi Min.) at the valve inlet opens the valve.

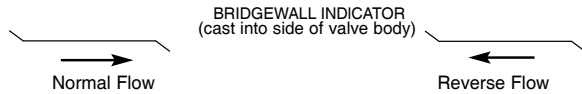


Modulating Action

Valve modulates when diaphragm pressure is held at an intermediate point between inlet and discharge pressure. With the use of a Cla-Val. "modulating control," which reacts to line pressure changes, the pressure above the diaphragm is varied, allowing the valve to throttle and compensate for the change.

Flow Direction

The flow through the 100-01 Hytrol Valve can be in one of two directions. When flow is “up-and-over the seat,” it is in “normal” flow and the valve will fail in the open position. When flow is “over-the seat-and down,” it is in “reverse” flow and the valve will fail in the closed position. There are no permanent flow arrow markings. **The valve must be installed according to nameplate data.**



Recommended Tools

1. Three pressure gauges with ranges suitable to the installation to be put at Hytrol inlet, outlet and cover connections.
2. Cla-Val Model X101 Valve Position Indicator. This provides visual indication of valve position without disassembly of valve.
3. Other items are: suitable hand tools such as screwdrivers, wrenches, etc. soft jawed (brass or aluminum) vise, 400 grit wet or dry sandpaper and water for cleaning.

Troubleshooting

The following troubleshooting information deals strictly with the Model 100-01 Hytrol Valve. This assumes that all other components of the pilot control system have been checked out and are in proper working condition. (See appropriate sections in Technical Manual for complete valve).

All trouble shooting is possible without removing the valve from the line or removing the cover. It is highly recommended to permanently install a Model X101 Valve Position Indicator and three gauges in unused Hytrol inlet, outlet and cover connections.

SYMPTOM	PROBABLE CAUSE	REMEDY
Fails to Close	Closed cocks in control system, or in main line.	Open Cocks.
	Lack of cover chamber pressure.	Check upstream pressure, pilot system, strainer, tubing, cocks, or needle valves for obstruction.
	Diaphragm damaged. (See Diaphragm Check.)	Replace diaphragm.
	Diaphragm assembly inoperative. Corrosion or excessive scale build up on valve stem. (See Freedom of Movement Check)	Clean and polish stem. Inspect and replace any damaged or badly eroded part.
	Mechanical obstruction. Object lodged in valve. (See Freedom of Movement Check)	Remove obstruction.
	Worn disc. (See Tight Sealing Check)	Replace disc.
	Badly scored seat. (See Tight Sealing Check)	Replace seat.
Fails to Open	Closed upstream and/or downstream isolation valves in main line.	Open valves.
	Insufficient line pressure.	Check upstream pressure. (Minimum 5 psi flowing line pressure differential.)
	Diaphragm assembly inoperative. Corrosion or excessive buildup on valve stem. (See Freedom of Movement Check)	Clean and polish stem. Inspect and replace any damaged or badly eroded part.
	Diaphragm damaged. (For valves in "reverse flow" only)	Replace diaphragm.

After checking out probable causes and remedies, the following three checks can be used to diagnose the nature of the problem before maintenance is started. They must be done in the order shown.

Three Checks

The 100-01 Hytrol Valve has only one moving part (the diaphragm and disc assembly). So, there are only three major types of problems to be considered.

First: Valve is stuck - that is, the diaphragm assembly is not free to move through a full stroke either from open to close or vice versa.

Second: Valve is free to move and can't close because of a worn out diaphragm.

Third: Valve leaks even though it is free to move and the diaphragm isn't leaking.

CAUTION:
*Care should be taken when doing the troubleshooting checks on the 100-01 Hytrol Valve. These checks do require the valve to open fully. This will either allow a high flow rate through the valve, or the downstream pressure will quickly increase to the inlet pressure. In some cases, this can be very harmful. Where this is the case, and there are no block valves in the system to protect the downstream piping, it should be realized that **the valve cannot be serviced under pressure.** Steps should be taken to remedy this situation before proceeding any further.*

Diaphragm Check (#1)

1. Shut off pressure to the Hytrol Valve by slowly closing upstream and downstream isolation valves. **SEE CAUTION.**
2. Disconnect or close all pilot control lines to the valve cover and leave only one fitting in highest point of cover open to atmosphere.
3. With the cover vented to atmosphere, slowly open upstream isolation valve to allow some pressure into the Hytrol Valve body. Observe the open cover tapping for signs of continuous flow. It is not necessary to fully open isolating valve. Volume in cover chamber capacity chart will be displaced as valve moves to open position. Allow sufficient time for diaphragm assembly to shift positions. If there is no continuous flow, you can be quite certain the diaphragm is sound and the diaphragm assembly is tight. If the fluid appears to flow continuously this is a good reason to believe the diaphragm is either damaged or it is loose on the stem. In either case, this is sufficient cause to remove the valve cover and investigate the leakage. (See "Maintenance" Section for procedure.)

COVER CHAMBER CAPACITY

(Liquid Volume displaced when valve opens)

Valve size (inches)	Displacement	
	Gallons	Liters
1 1/4	.020	.07
1 1/2	.020	.07
2	.032	.12
2 1/2	.043	.16
3	.080	.30
4	.169	.64
6	.531	2.0
8	1.26	4.8
10	2.51	9.5
12	4.00	15.1
14	6.50	24.6
16	9.57	36.2
24	29.00	109.8

Freedom of Movement Check (#2)

4. Determining the Hytrol Valve's freedom of movement can be done by one of two methods.
5. For most valves it can be done after completing Diaphragm Check (Steps 1, 2, and 3). **SEE CAUTION.** At the end of step 3 the valve should be fully open.
6. If the valve has a Cla-Val X101 Position Indicator, observe the indicator to see that the valve opens wide. Mark the point of maximum opening.
7. Re-connect enough of the control system to permit the application of inlet pressure to the cover. Open pilot system cock so pressure flows from the inlet into the cover.
8. While pressure is building up in the cover, the valve should close smoothly. There is a hesitation in every Hytrol Valve closure, which can be mistaken for a mechanical bind. The stem will appear to stop moving very briefly before going to the closed position. This slight pause is caused by the diaphragm flexing at a particular point in the valve's travel and is not caused by a mechanical bind.
9. When closed, a mark should be made on the X101 Valve position indicator corresponding to the "closed" position. The distance between the two marks should be approximately the stem travel shown in chart.

STEM TRAVEL

(Fully Open to Fully Closed)

Valve Size (inches)		Travel (inches)	
Inches	MM	Inches	MM
1 1/4	32	0.4	10
1 1/2	40	0.4	10
2	50	0.6	15
2 1/2	65	0.7	18
3	80	0.8	20
4	100	1.1	28
6	150	1.7	43
8	200	2.3	58
10	250	2.8	71
12	300	3.4	86
14	350	4.0	100
16	400	4.5	114
24	610	6.5	165

10. If the stroke is different than that shown in stem travel chart this is a good reason to believe something is mechanically restricting the stroke of the valve at one end of its travel. If the flow does not stop through the valve when in the indicated "closed" position, the obstruction probably is between the disc and the seat. If the flow does stop, then the obstruction is more likely in the cover. In either case, the cover must be removed, and the obstruction located and removed. The stem should also be checked for scale build-up. (See "Maintenance, section for procedure.)

11. For valves 6" and smaller, the Hytrol Valve's freedom of movement check can also be done after all pressure is removed from the valve. **SEE CAUTION.** After closing inlet and outlet isolation valves and bleeding pressure from the valve, check that the cover chamber and the body are temporarily vented to atmosphere. Insert fabricated tool into threaded hole in top of valve stem, and lift the diaphragm assembly manually. Note any roughness. The diaphragm assembly should move smoothly throughout entire valve stroke. The tool is fabricated from rod that is threaded on one end to fit valve stem and has a "T" bar handle of some kind on the other end for easy gripping. (See chart in Step 4 of "Disassembly" Section.)

12. Place marks on this diaphragm assembly lifting tool when the valve is closed and when manually positioned open. The distance between the two marks should be approximately the stem travel shown in stem travel chart. If the stroke is different than that shown, there is a good reason to believe something is mechanically restricting the stroke of the valve. The cover must be removed, and the obstruction located and removed. The stem should also be checked for scale build-up. (See "Maintenance" Section for procedure.)

Tight Sealing Check (#3)

13. Test for seat leakage after completing checks #1 & #2 (Steps 1 to 12). **SEE CAUTION.** Close the isolation valve downstream of the Hytrol Valve. Apply inlet pressure to the cover of the valve, wait until it closes. Install a pressure gauge between the two closed valves using one of the two ports in the outlet side of the Hytrol. Watch the pressure gauge. If the pressure begins to climb, then either the downstream isolation valve is permitting pressure to creep back, or the Hytrol is allowing pressure to go through it. Usually the pressure at the Hytrol inlet will be higher than on the isolation valve discharge, so if the pressure goes up to the inlet pressure, you can be sure the Hytrol is leaking. Install another gauge downstream of isolating valve. If the pressure between the valves only goes up to the pressure on the isolation valve discharge, the Hytrol Valve is holding tight, and it was just the isolation valve leaking.

Maintenance

Preventative Maintenance

The Cla-Val Co. Model 100-01 Hytrol Valve requires no lubrication or packing and a minimum of maintenance. However, a periodic inspection schedule should be established to determine how the operating conditions of the system are affecting the valve. The effect of these actions must be determined by inspection.

Disassembly

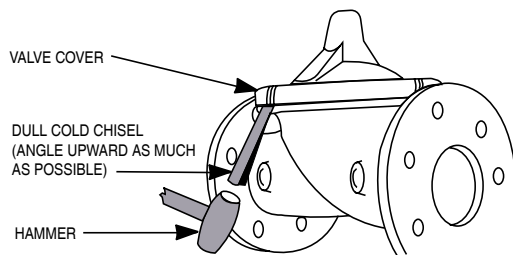
Inspection or maintenance can be accomplished without removing the valve from the line. Repair kits with new diaphragm and disc are recommended to be on hand before work begins.

WARNING: Maintenance personnel can be injured and equipment damaged if disassembly is attempted with pressure in the valve. **SEE CAUTION.**

1. Close upstream and downstream isolation valves **and independent operating pressure when used** to shut off all pressure to the valve.

2. Loosen tube fittings in the pilot system to remove pressure from valve body and cover chamber. After pressure has been released from the valve, use care to remove the controls and tubing. Note and sketch position of tubing and controls for re-assembly. The schematic in front of the Technical Manual can be used as a guide when reassembling pilot system.

3. Remove cover nuts and remove cover. If the valve has been in service for any length of time, chances are the cover will have to be loosened by driving upward along the edge of the cover with a **dull cold chisel**.



On 6" and smaller valves block and tackle or a power hoist can be used to lift valve cover by inserting proper size eye bolt in place of the center cover plug. on 8" and larger valves there are 4 holes (5/8" — 11 size) where jacking screws and/or eye bolts may be inserted for lifting purposes. **Pull cover straight up** to keep from damaging the integral seat bearing and stem.

COVER CENTER PLUG SIZE

Valve Size	Thread Size (NPT)
1 1/4" — 1 1/2"	1/4"
2" — 3"	1/2"
4" — 6"	3/4"
8" — 10"	1"
12"	1 1/4"
14"	1 1/2"
16"	2"
24"	4 1/4"

4. Remove the diaphragm and disc assembly from the valve body. With smaller valves this can be accomplished by hand by **pulling straight up on the stem so as not to damage the seat bearing**. On large valves, an eye bolt of proper size can be installed in the stem and the diaphragm assembly can be then lifted with a block and tackle or power hoist. Take care not to damage the stem or bearings. The valve won't work if these are damaged.

VALVE STEM THREAD SIZE

Valve Size	Thread Size (UNF Internal)
1 1/4" — 2 1/2"	10 — 32
3" — 4"	1/4 — 28
6" — 14"	3/8 — 24
16"	1/2 — 20
24"	3 — 12

5. The next item to remove is the stem nut. Examine the stem threads above the nut for signs of mineral deposits or corrosion. If the threads are not clean, use a wire brush to remove as much of the residue as possible. Attach a good fitting wrench to the nut and give it a sharp "rap" rather than a steady pull. Usually several blows are sufficient to loosen the nut for further removal. On the smaller valves, the entire diaphragm assembly can be held by the stem in a vise **equipped with soft brass jaws** before removing the stem nut.

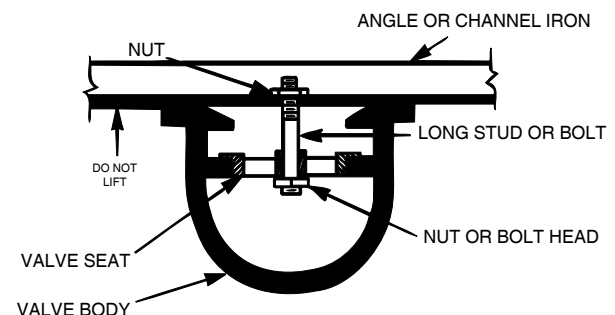
The use of a pipe wrench or a vise without soft brass jaws scars the fine finish on the stem. No amount of careful dressing can restore the stem to its original condition. Damage to the finish of the stem can cause the stem to bind in the bearings and the valve will not open or close.

6. After the stem nut has been removed, the diaphragm assembly breaks down into its component parts. Removal of the disc from the disc retainer can be a problem if the valve has been in service for a long time. Using two screwdrivers inserted along the outside edge of the disc usually will accomplish its removal. Care should be taken to preserve the spacer washers in water, particularly if no new ones are available for re-assembly.

7. The only part left in the valve body is the seat which ordinarily does not require removal. Careful cleaning and polishing of inside and outside surfaces with 400 wet/dry sandpaper will usually restore the seat's sharp edge. If, however, it is badly worn and replacement is necessary, it can be easily removed.

Seats in valve sizes 1 1/4" through 6" are threaded into the valve body. They can be removed with accessory X109 Seat Removing Tool available from the factory. On 8" and larger valves, the seat is held in place by flat head machine screws. Use a tight-fitting, long shank screwdriver to prevent damage to seat screws. If upon removal of the screws the seat cannot be lifted out, it will be necessary to use a piece of angle or channel iron with a hole drilled in the center. Place it across the body so a long stud can be inserted through the center hole in the seat and the hole in the angle iron. By tightening the nut a uniform upward force is exerted on the seat for removal.

NOTE: Do not lift up on the end of the angle iron as this may force the integral bearing out of alignment, causing the stem to bind.



Lime Deposits

One of the easiest ways to remove lime deposits from the valve stem or other metal parts is to dip them in a 5-percent muriatic acid solution just long enough for the deposit to dissolve. This will remove most of the common types of deposits. **CAUTION: USE EXTREME CARE WHEN HANDLING ACID.** Rinse parts in water before handling. If the deposit is not removed by acid, then a fine grit (400) wet or dry sandpaper can be used with water.

Inspection of Parts

After the valve has been disassembled, each part should be examined carefully for signs of wear, corrosion, or any other abnormal condition. Usually, it is a good idea to replace the rubber parts (diaphragm and disc) unless they are free of signs of wear. These are available in a repair kit. Any other parts which appear doubtful should be replaced. **WHEN ORDERING PARTS, BE SURE TO GIVE COMPLETE NAMEPLATE DATA, ITEM NUMBER AND DESCRIPTION.**

NOTE: If a new disc isn't available, the existing disc can be turned over, exposing the unused surface for contact with the seat. The disc should be replaced as soon as practical.

Reassembly

1. Reassembly is the reverse of the disassembly procedure. If a new disc has been installed, it may require a different number of spacer washers to obtain the right amount of "grip" on the disc. When the diaphragm assembly has been tightened to a point where the diaphragm cannot be twisted, the disc should be compressed very slightly by the disc guide. Excessive compression should be avoided. Use just enough spacer washers to hold the disc firmly without noticeable compression.

2. **MAKE SURE THE STEM NUT IS VERY TIGHT.** Attach a good fitting wrench to the nut and give it a sharp "rap" rather than a steady pull. Usually several blows are sufficient to tighten the stem nut for final tightening. Failure to do so could allow the diaphragm to pull loose and tear when subjected to pressure.

3. Carefully install the diaphragm assembly by lowering the stem through the seat bearing. Take care not to damage the stem or bearing. Line up the diaphragm holes with the stud or bolt holes on the body. on larger valves with studs, it may be necessary to hold the diaphragm assembly up part way while putting the diaphragm over the studs.

4. Put spring in place and replace cover. Make sure diaphragm is lying smooth under the cover.

5. Tighten cover nuts firmly using a cross-over pattern until all nuts are tight.

6. Test Hytrol Valve before re-installing pilot valve system.

Test Procedure After Valve Assembly

There are a few simple tests which can be made in the field to make sure the Hytrol Valve has been assembled properly. Do these before installing pilot system and returning valve to service. These are similar to the three troubleshooting tests.

1. Check the diaphragm assembly for freedom of movement after all pressure is removed from the valve. **SEE CAUTION.** Insert fabricated tool into threaded hole in top of valve stem, and lift the diaphragm assembly manually. Note any roughness, sticking or grabbing. The diaphragm assembly should move smoothly throughout entire valve stroke. The tool is fabricated from rod that is threaded on one end to fit valve stem (See chart in Step 4 of "Disassembly" section.) and has a "T" Bar handle of some kind on the other end for easy gripping.

Place marks on this diaphragm assembly lifting tool when the valve is closed and when manually positioned open. The distance between the two marks should be approximately the stem travel shown in stem travel chart. (See "Freedom of Movement Check" section.) If the stroke is different than that shown, there is a good reason to believe something is mechanically restricting the stroke of the valve. The cover must be removed, the obstruction located and removed. (See "Maintenance" Section for procedure.)

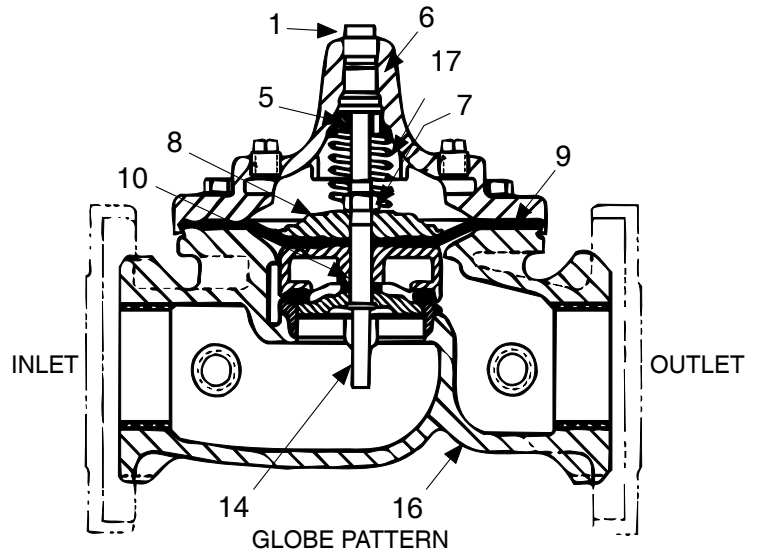
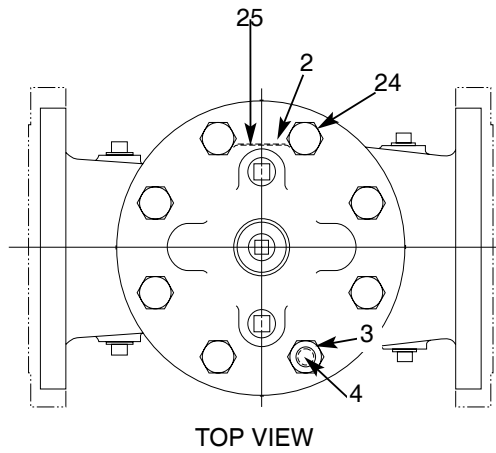
Due to the weight of the diaphragm assembly this procedure is not possible on valves 8" and larger. on these valves, the same determination can be made by carefully introducing a low pressure-less than five psi) into the valve body with the cover vented. **SEE CAUTION.** Looking in cover center hole see the diaphragm assembly lift easily without hesitation, and then settle back easily when the pressure is removed.

2. To check the valve for drip-tight closure, a line should be connected from the inlet to the cover, and pressure applied at the inlet of the valve. If properly assembled, the valve should hold tight with as low as ten PSI at the inlet. See "Tight Sealing Check" section.)

3. With the line connected from the inlet to the cover, apply full working pressure to the inlet. Check all around the cover for any leaks. Re-tighten cover nuts if necessary to stop leaks past the diaphragm.

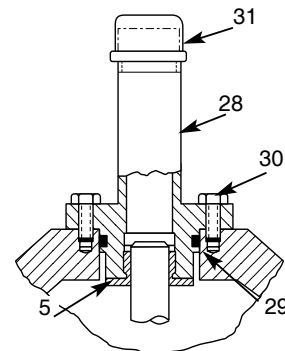
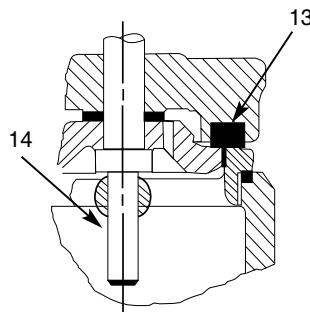
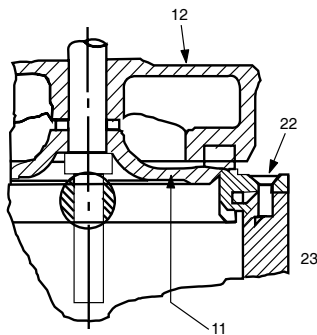
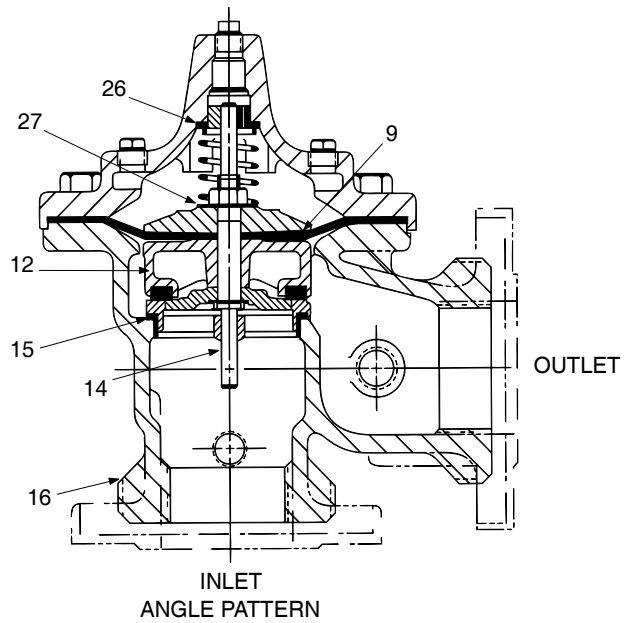
4. Remove pressure, then re-install the pilot system and tubing exactly as it was prior to removal. **Bleed air from all high points.**

5. Follow steps under "Start-Up and Adjustment" Section in Technical Manual for returning complete valve back to service.



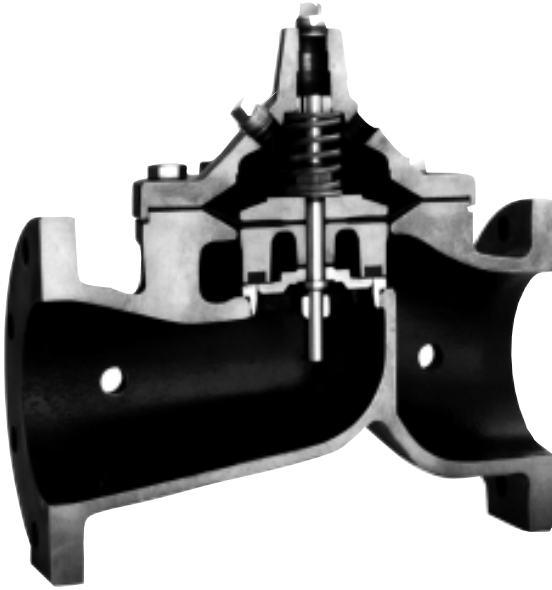
PARTS LIST

Item	Description
1.	Pipe Plug
2.	Drive Screws (for nameplate)
3.	Hex Nut (8" and larger)
4.	Stud (8" and larger)
5.	Cover Bearing
6.	Cover
7.	Stem Nut
8.	Diaphragm Washer
9.	Diaphragm
10.	Spacer Washers
11.	Disc Guide
12.	Disc Retainer
13.	Disc
14.	Stem
15.	Seat
16.	Body
17.	Spring
22.	Flat Head Screws (8" and larger)
23.	Seat O-Ring
24.	Hex head Bolt (1 1/4" thru 4")
25.	Nameplate
26.	Upper Spring Washer (Epoxy coated valves only)
27.	Lower Spring Washer (Epoxy coated valves only)
28.	Cover Bearing Housing (16" only)
29.	Cover O-Ring (16" only)
30.	Hex Bolt (16" only)
31.	Pipe Cap (16" only)





— MODEL — **100-20**
600 Series
Hytrol Valve



- **Reduced Cavitation Design**
- **Drip-tight, Positive Seating Action**
- **Service Without Removal From Line**
- **Globe or Angle Pattern**
- **Every Valve Factory-Tested**

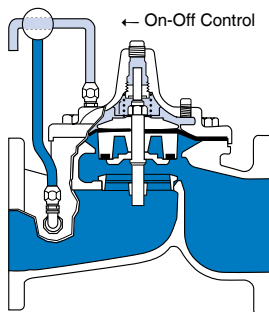
The Cla-Val Model 100-20 Hytrol Valve is a hydraulically operated, diaphragm actuated, globe or angle pattern valve. It consists of three major components: body, diaphragm assembly and cover. The diaphragm assembly is the only moving part.

The diaphragm assembly is guided top and bottom by a precision machined stem which utilizes a non-wicking diaphragm of nylon fabric bonded with synthetic rubber. A resilient synthetic rubber disc, retained on three and one-half sides by a disc retainer, forms a drip-tight seal with the renewable seat when pressure is applied above the diaphragm.

The reduced cavitation characteristics of the 100-20 Hytrol Valve is the basis for the Cla-Val 600 Series. The rugged simplicity of design and packless construction assure a long life of dependable, trouble-free operation. It's smooth flow passages and fully guided disc and diaphragm assembly assure optimum control when used in piping systems requiring remote control, pressure regulation, solenoid operation, rate of flow control or check valve operation.

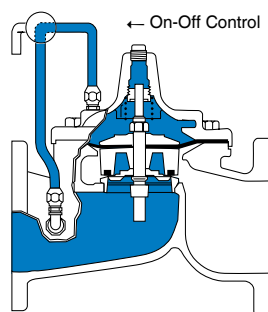
Available in various materials and in a wide range of sizes. It's applications are unlimited.

Principle of Operation



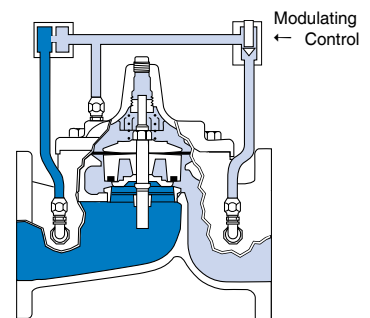
Full Open Operation

When pressure in the cover chamber is relieved to a zone of lower pressure, the line pressure at the valve inlet opens the valve, allowing full flow.



Tight Closing Operation

When pressure from the valve inlet is applied to the cover chamber, the valve closes drip-tight.



Modulating Action

The valve holds any intermediate position when operating pressure is equal above and below the diaphragm. Using a Cla-Val "Modulating" Control will allow the valve to automatically compensate for line pressure changes.



Specifications

Model 100 -20

Available Sizes

Pattern	Flanged
Globe	3", 4", 6", 8", 10", 12", 14", 16", 18", 20", 24", 30"
Angle	4", 6", 8"

Operating Temp. Range

Fluids
-40° to 180° F

Pressure Ratings (Recommended Maximum Pressure - psi)

Valve Body & Cover		Pressure Class		
		Flanged		
Grade	Material	ANSI Standards*	150 lb.	300 lb.
ASTM A536	Ductile Iron	B16.42	250	400
ASTM A216-WCB	Cast Steel	B16.5	285	400
ASTM B62	Bronze	B16.24	225	400
ASTM A743	Stainless Steel	B16.5	285	400
356-T6	Aluminum	B16.1	275	—

Note: *ANSI standards are for flange dimensions only.
Flanged valves are available faced but not drilled.

Materials

Component	Material Options				
	Ductile Iron	Cast Steel	Bronze	Stainless Steel	Aluminum
Body & Cover	Ductile Iron	Cast Steel	Bronze	Stainless Steel	Aluminum
Available Sizes	3" - 30"	3" - 30"	3" - 16"	3" - 16"	3" - 16"
Disc Retainer & Diaphragm Washer	Cast Iron	Cast Steel	Bronze	Stainless Steel	Aluminum
Trim: Disc Guide, Seat & Cover Bearing	Bronze is standard. Stainless Steel is optional.			Stainless Steel is standard.	
Disc	Buna-N® Rubber				
Diaphragm	Nylon Reinforced Buna-N® Rubber				
Stem, Nut & Spring	Stainless Steel				

Options

Epoxy Coating - suffix KC

An FDA approved fusion bonded epoxy coating for use with cast iron, ductile iron or steel valves. This coating is resistant to various water conditions, certain acids, chemicals, solvents and alkalies. Epoxy coatings are applied in accordance with AWWA coating specifications C550-90. Do not use with temperatures above 175° F.

Dura-Kleen® Stem - suffix KD

This stem is designed for applications where water supplies containing dissolved minerals create deposits that build-up on a standard stem and hamper valve operation. A patented self-cleaning design on the stem allows all valve sizes to operate freely in the harshest conditions.

Delrin® Sleeved Stem - suffix KG

The Delrin® sleeved stem is designed for applications where water supplies contain

dissolved minerals which can form deposits that build up on the valve stem and hamper valve operation. Scale build-up will not adhere to the Delrin® sleeve stem. Delrin® sleeved stems are not recommended for valves in continuous operation where differential pressures are in excess of 80 psi (2" and larger Hytrol valves).

Water Treatment Clearance - suffix KW

This additional clearance is beneficial in applications where water treatment compounds can interfere with the closing of the valve. The smaller outside diameter disc guide provides more clearance between the disc guide and the valve seat. This option is best suited for valves used in on-off (non-modulating) service.

Viton® Rubber Parts - suffix KB

Optional diaphragm, disc and o-ring fabricated with Viton® synthetic rubber. Viton® is well suited for use with mineral

acids, salt solutions, chlorinated hydrocarbons, and petroleum oils; and is primarily used in high temperature applications up to 250° F. Do not use with epoxy coatings above 175° F.

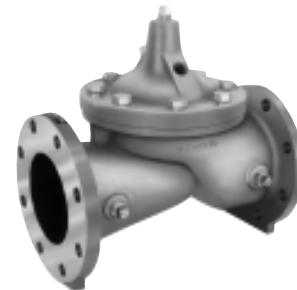
Heavy Spring - suffix KH

The heavy spring option is used in applications where there is low differential pressure across the valve, and the additional spring force is needed to help the valve close. This option is best suited for valves used in on-off (non-modulating) service.

For assistance in selecting appropriate valve options or valves manufactured with special design requirements, please contact our Regional Sales Office or Factory.



3" Globe, Flanged



6" Globe, Flanged



6" Angle, Flanged

Functional Data

Model 100 - 20

Valve Size		Inches	3	4	6	8	10	12	14	16	18	20	24	30
		mm.	80	100	150	200	250	300	350	400	460	510	610	760
C_V Factor	Globe Pattern	Gal./Min. (gpm)	62	136	229	480	930	1458	1725	2110	2940	3400*	3500*	7900*
		Litres/Sec. (l/s)	15	32.5	55	115	223	350	414	506	705	816	840	1895
	Angle Pattern	Gal./Min. (gpm)	—	135	233	545	—	—	—	—	—	—	—	—
		Litres/Sec. (l/s)	—	32	56	132	—	—	—	—	—	—	—	—
Equivalent Length of Pipe	Globe Pattern	Feet (ft)	293	251	777	748	621	654	750	977	983	1125	3005	2130
		Meters (m)	89.3	76.4	237.1	228.1	189.5	199.4	228.7	298.1	299.9	343.2	916.6	649.6
	Angle Pattern	Feet (ft)	—	254	751	580	—	—	—	—	—	—	—	—
		Meters (m)	—	77.6	229	176.9	—	—	—	—	—	—	—	—
K Factor	Globe Pattern		20.6	12.7	23.1	15.7	10.4	8.5	8.9	10.2	8.4	8.8	19.1	10.5
	Angle Pattern		—	12.9	22.3	12.2	—	—	—	—	—	—	—	—
Liquid Displaced from Diaphragm Chamber When Valve Opens	Fl. Oz		—	—	—	—	—	—	—	—	—	—	—	—
	U.S. Gal.		.032	.08	.17	.53	1.26	2.51	4	4	9.6	9.6	9.6	29.0
	ml		—	—	—	—	—	—	—	—	—	—	—	—
	Litres		.12	.30	.64	2.0	4.8	9.5	15.1	15.1	36.2	36.2	36.2	110

*Estimated

C_V Factor

Formulas for computing C_V Factor, Flow (Q) and Pressure Drop (ΔP):

$$C_V = \frac{Q}{\sqrt{\Delta P}} \quad Q = C_V \sqrt{\Delta P} \quad \Delta P = \left(\frac{Q}{C_V}\right)^2$$

K Factor (Resistance Coefficient)

The Value of K is calculated from the formula: $K = \frac{894 d^4}{C_V^2}$
(U.S. system units)

Equivalent Length of Pipe

Equivalent lengths of pipe (L) are determined from the formula: $L = \frac{Kd}{12f}$
(U.S. system units)

Fluid Velocity

Fluid velocity can be calculated from the following formula: $V = \frac{.4085 Q}{d^2}$
(U.S. system units)

Where:

C_V = U.S. (gpm) @ 1 psi differential at 60° F water

□ □ □ or

□ = (l/s) @ 1 bar (14.5 PSIG) differential at 15° C water

d = inside pipe diameter of Schedule 40 Steel Pipe (inches)

f = friction factor for clean, new Schedule 40 pipe

□ (dimensionless) (from Cameron Hydraulic Data,

□ 18th Edition)

K = Resistance Coefficient (calculated)

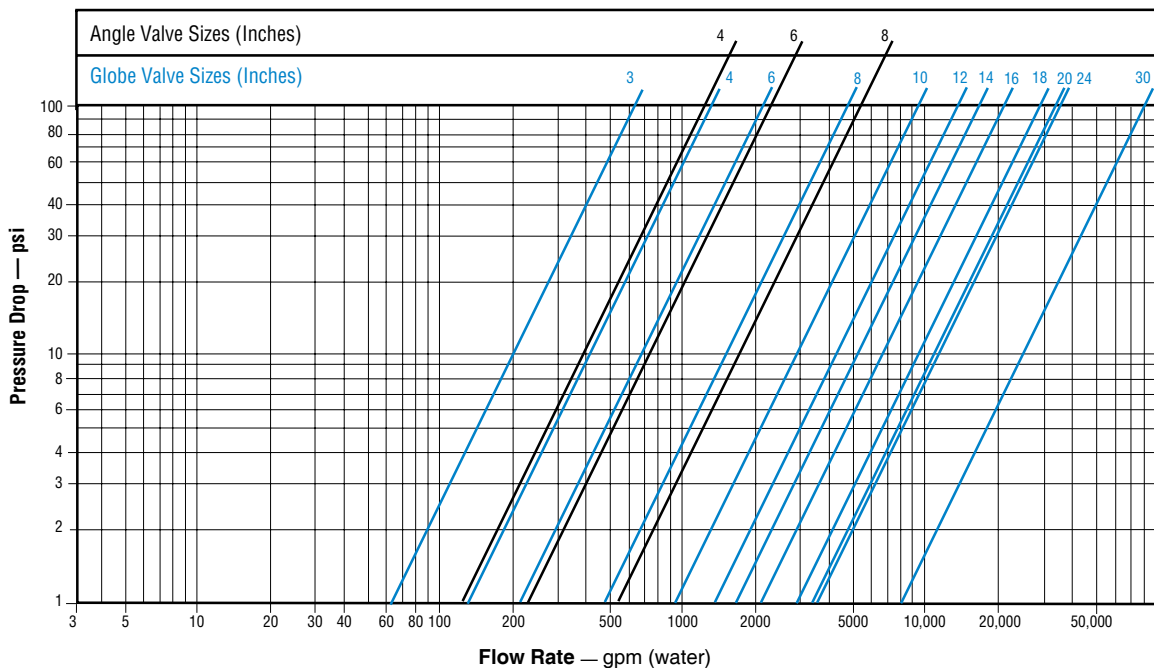
L = Equivalent Length of Pipe (feet)

Q = Flow Rate in U.S. (gpm) or (l/s)

V = Fluid Velocity (feet per second) or (meters per second)

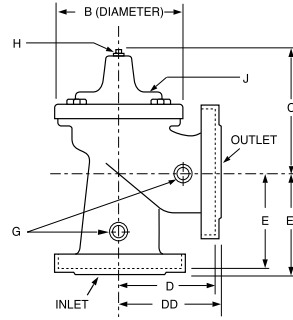
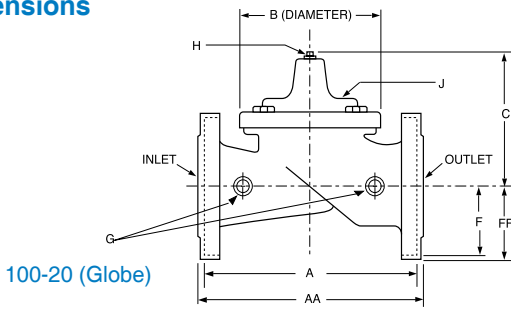
ΔP = Pressure Drop in (psi) or (bar)

Model 100-20 Flow Chart (Based on normal flow through a wide open valve)



Dimensions

Model 100 -20



100-20 (Globe)

100-20 (Angle)

VALVE SIZE (Inches)	3	4	6	8	10	12	14	16	18	20	24	30
A 150 ANSI	10.25	13.88	17.75	21.38	26.00	30.00	34.25	35.00	42.12	48.00	48.00	63.25
AA 300 ANSI	11.00	14.50	18.62	22.38	27.38	31.50	—	36.62	43.63	49.62	49.75	—
B DIA.	6.62	9.12	11.50	15.75	20.00	23.62	28.00	28.00	35.44	35.44	35.44	53.19
C MAX.	7.00	8.62	11.62	15.00	17.88	21.00	20.88	25.75	25.00	31.00	31.00	43.94
D 150 ANSI	—	6.94	8.88	10.69	—	—	—	—	—	—	—	—
DD 300 ANSI	—	7.25	9.38	11.19	—	—	—	—	—	—	—	—
E 150 ANSI	—	5.50	6.75	7.25	—	—	—	—	—	—	—	—
EE 300 ANSI	—	5.81	7.25	7.75	—	—	—	—	—	—	—	—
F 150 ANSI	3.75	4.50	5.50	6.75	8.00	9.50	11.00	11.75	15.88	14.56	17.00	19.88
FF 300 ANSI	4.12	5.00	6.25	7.50	8.75	10.25	—	12.75	15.88	16.06	19.00	—
G NPT Body Tapping	3/8	1/2	3/4	3/4	1	1	1	1	1	1	1	1
H NPT Cover Center Plug	1/2	1/2	3/4	3/4	1	1	1 1/4	1 1/4	2	2	2	2
J NPT Cover Tapping	3/8	1/2	3/4	3/4	1	1	1	1	1	1	1	1
Valve Stem Internal Thread UNF	10-32	1/4-28	1/4-28	3/8-24	3/8-24	3/8-24	3/8-24	3/8-24	1/2-20	1/2-20	1/2-20	3/4-16
Stem Travel	0.6	0.8	1.1	1.7	2.3	2.8	3.4	3.4	4.5	4.5	4.5	6.5
Approx Ship Wt. Lbs.	45	85	195	330	625	900	1250	1380	1500	2551	2750	6500

VALVE SIZE (mm)	80	100	150	200	250	300	350	400	450	500	600	750
A 150 ANSI	260	353	451	543	660	762	870	889	1070	1219	1219	1607
AA 300 ANSI	279	368	473	568	695	800	—	930	1108	1260	1263	—
B DIA.	168	232	292	400	508	600	711	711	900	900	900	1351
C MAX.	178	219	295	381	454	533	530	654	635	787	787	1116
D 150 ANSI	—	176	226	272	—	—	—	—	—	—	—	—
DD 300 ANSI	—	184	238	284	—	—	—	—	—	—	—	—
E 150 ANSI	—	140	171	184	—	—	—	—	—	—	—	—
EE 300 ANSI	—	148	184	197	—	—	—	—	—	—	—	—
F 150 ANSI	95	114	140	171	203	241	279	298	403	370	432	505
FF 300 ANSI	105	127	159	191	222	260	—	324	403	408	483	—
G NPT Body Tapping	3/8	1/2	3/4	3/4	1	1	1	1	1	1	1	1
H NPT Cover Center Plug	1/2	1/2	3/4	3/4	1	1	1 1/4	1 1/4	2	2	2	2
J NPT Cover Tapping	3/8	1/2	3/4	3/4	1	1	1	1	1	1	1	1
Valve Stem Internal Thread UNF	10-32	1/4-28	1/4-28	3/8-24	3/8-24	3/8-24	3/8-24	3/8-24	1/2-20	1/2-20	1/2-20	1/2-20
Stem Travel	15	20	28	43	58	71	86	86	86	114	114	165
Approx. Ship Wt. Kgs.	20	39	89	150	284	409	568	627	681	1157	1249	2951

Service and Installation

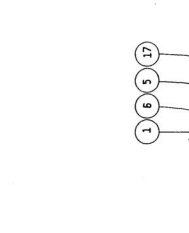
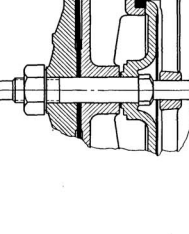
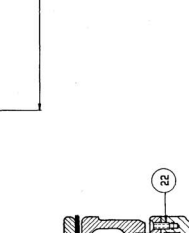
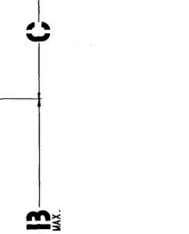
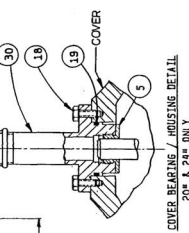
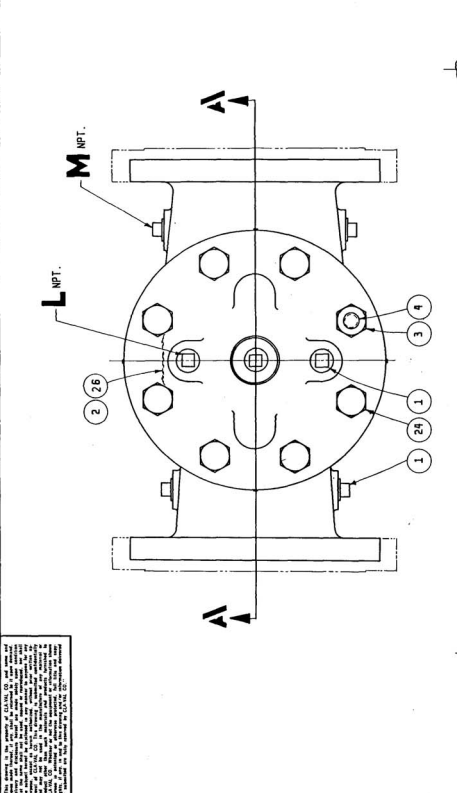
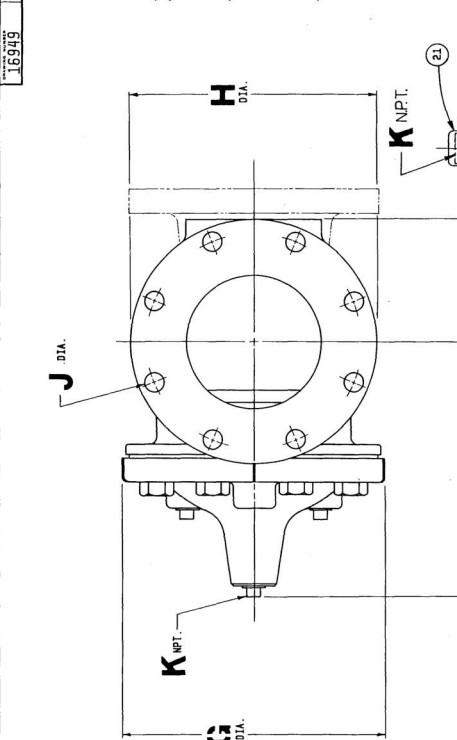
Cla-Val Control Valves operate with maximum efficiency when mounted in horizontal piping with the main valve cover UP, however, other positions are acceptable. Due to component size and weight of 10 inch and larger valves, installation with cover UP is advisable. We recommend isolation valves be installed on inlet and outlet for maintenance. Adequate space above and around the valve for service personnel should be considered essential. A regular maintenance program should be established based on the specific application data. However, we recommend a thorough inspection be done at least once a year. Consult factory for specific recommendations.



Distributed By:
 M&M Control Service, INC.
 Phone: 800-876-0036
 Fax: 847-356-0747
 Email: Sales@mmcontrol.com

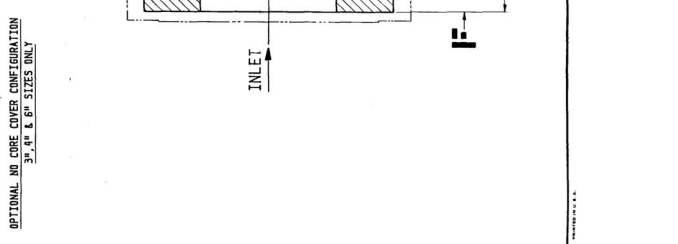
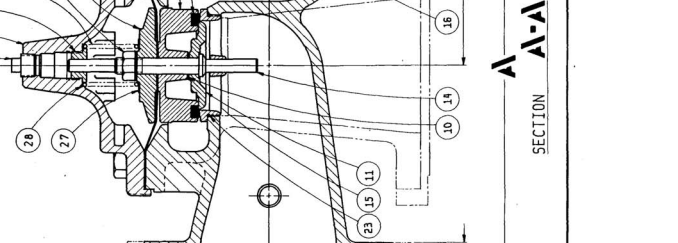
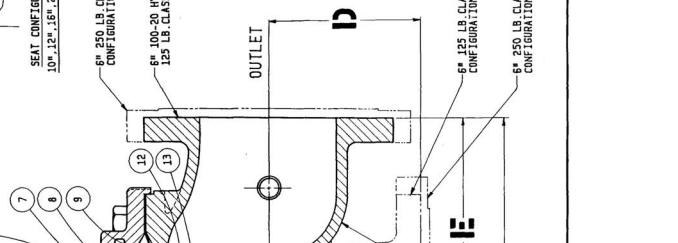
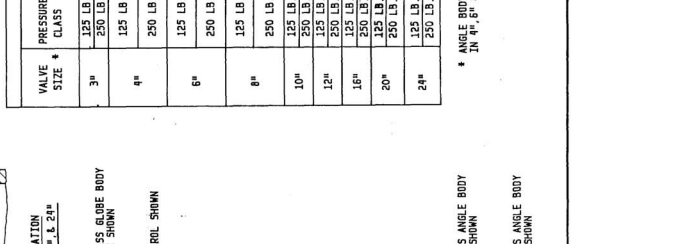
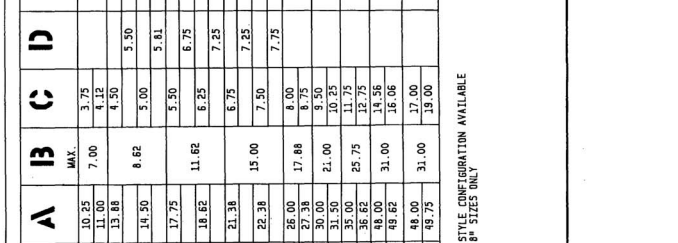
ITEM NO.	DESCRIPTION	QTY.	REV'D
1	PLUG, DITE	2	
2	NUT, HEX (8" 10", 12", 16", 20" & 24")	A/R	
3	NUT, HEX (8" 10", 12", 16", 20" & 24")	A/R	
4	STUD, THREADED (8" 10", 12", 16", 20" & 24")	A/R	
5	BEARING, COVER	1	
6	COVER	1	
7	NUT, STEM	1	
8	WASHER, DIAPHRAGM	1	
9	DIAPHRAGM	1	
10	WASHER, SPACER	A/R	
11	GUIDE DISC	1	
12	RETAINER DISC	1	
13	DISC	1	
14	SEAL	1	
15	SEAL	1	
16	BODY	1	
17	SPRING	1	
18	BOLT, HEX HD. (20" & 24" ONLY)	6	
19	O-RING (20" & 24" ONLY)	1	
21	CAP, PIPE (20" & 24" ONLY)	1	
22	SCREW, FLAT HD. (10" THRU 24" ONLY)	A/R	
23	O-RING, SEAT	1	
24	BOLT, HEX HD (3" 4", & 6" ONLY)	A/R	
25	WASHER, SPRING (100-200C)	1	
26	WASHER, SPRING (100-200C)	1	
27	WASHER, SPRING (100-200C)	1	
28	WASHER, SPRING (100-200C)	1	
29	WASHER, SPRING (100-200C)	1	
30	BRUSHING, COVER BEARING (20" & 24")	1	

RECOMMENDED SPARE PARTS



VALVE SIZE	PRESSURE CLASS	A	B	C	D	E	F	G	H	J	K	L	M
3"	125 LB.	10.25	7.00	3.75	7.50	7.50	7.50	7.50	7.50	7.50	6.000	3/8"	3/8"
3"	250 LB.	11.00	7.00	4.12	8.12	8.12	8.12	8.12	8.12	8.12	6.000	3/8"	3/8"
4"	125 LB.	13.88	8.62	4.50	9.12	9.12	9.12	9.12	9.12	9.12	7.500	1/2"	1/2"
4"	250 LB.	14.50	8.62	5.00	9.84	9.84	9.84	9.84	9.84	9.84	7.500	1/2"	1/2"
6"	125 LB.	17.75	11.62	5.50	11.25	11.25	11.25	11.25	11.25	11.25	8.875	3/4"	3/4"
6"	250 LB.	18.62	11.62	6.25	12.00	12.00	12.00	12.00	12.00	12.00	8.875	3/4"	3/4"
8"	125 LB.	21.38	15.00	6.75	13.50	13.50	13.50	13.50	13.50	13.50	10.625	3/4"	3/4"
8"	250 LB.	22.38	15.00	7.50	14.69	14.69	14.69	14.69	14.69	14.69	10.625	3/4"	3/4"
10"	125 LB.	25.00	17.88	8.00	16.00	16.00	16.00	16.00	16.00	16.00	12.000	1"	1"
10"	250 LB.	26.38	17.88	8.50	17.00	17.00	17.00	17.00	17.00	17.00	12.000	1"	1"
12"	125 LB.	31.50	21.00	10.25	20.50	20.50	20.50	20.50	20.50	20.50	14.250	1"	1"
12"	250 LB.	31.50	21.00	10.25	20.50	20.50	20.50	20.50	20.50	20.50	14.250	1"	1"
16"	125 LB.	36.62	25.75	12.75	24.50	24.50	24.50	24.50	24.50	24.50	16.500	1"	1"
16"	250 LB.	36.62	25.75	12.75	24.50	24.50	24.50	24.50	24.50	24.50	16.500	1"	1"
20"	125 LB.	48.00	31.00	16.06	30.50	30.50	30.50	30.50	30.50	30.50	19.250	1"	1"
20"	250 LB.	48.00	31.00	16.06	30.50	30.50	30.50	30.50	30.50	30.50	19.250	1"	1"
24"	125 LB.	48.75	31.00	17.00	32.00	32.00	32.00	32.00	32.00	32.00	21.000	1"	1"
24"	250 LB.	48.75	31.00	17.00	32.00	32.00	32.00	32.00	32.00	32.00	21.000	1"	1"

ANGLE BODY STYLE CONFIGURATION AVAILABLE IN 4", 6" & 8" SIZES ONLY



CLAYVAL CO. 100-20 HYDRAULIC VALVE COVER 125/250 LB. ANSI FLANGES

CLAYVAL CO. 100-20 HYDRAULIC VALVE COVER 125/250 LB. ANSI FLANGES



— MODEL — CF1-C1

Float Control For Open Tanks



- **Accurate Liquid Level Control**
- **Fully Hydraulic Operation**
- **Simple Design, Easy Maintenance**
- **No Lubrication Necessary**
- **No Gears, No Mechanical Linkage Between Valve and Control**

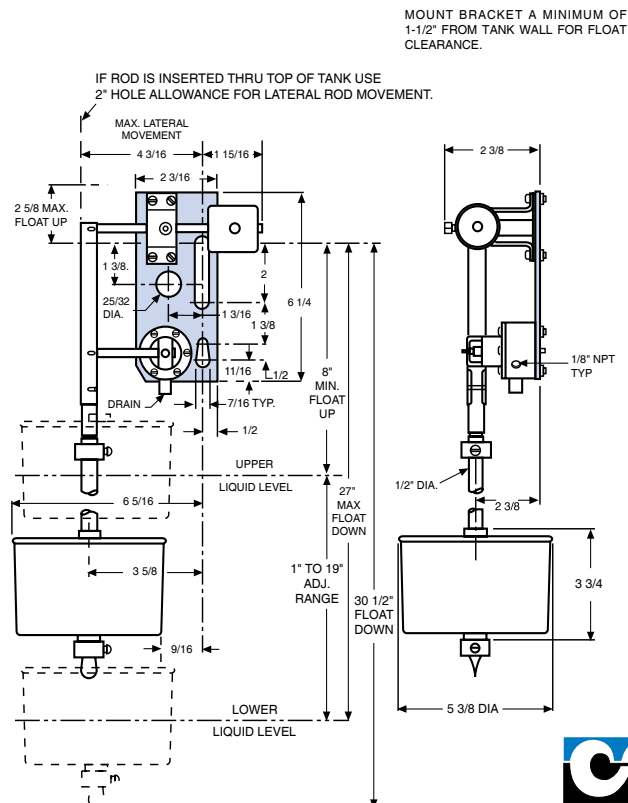
The Cla-Val Model CF1-C1 Float Control is a float-actuated multiport pilot control which provides non-modulating, two-position, on-off operation. It is used primarily to operate remotely located Cla-Val valves requiring three-way or four-way pilot valve operation. Designed for use in open tanks, this control operates on a minimum level change of approximately 1". Maximum level change is 19". This level adjustment can be located up to 11½ feet from the control by adding float rod extensions.

The float moves freely on the float rod. On rising liquid level, the float contacts the upper stop and lifts the float linkage to the "UP" position. As the liquid level lowers, the control stays in the "UP" position until the float contacts the lower stop. The control then shifts to the "DOWN" position.

Specifications

Piping Connections	1/8" NPT
Pressure Rating	300 psi max.
Temperature Rating	Water: to 160°F.
Materials	In contact with operating fluid: Nylon Reinforced delrin, Stainless Steel, Monel, with Buna-N® Seals Float linkage and float rod: Brass and PVC Base plate: Treated steel Float: Polypropylene Other materials available: Stainless steel float Stainless steel rod and stops Brass rods Brass base plate
Float	5 3/8" diameter. If maximum temperature exceeds 160°F. specify a stainless steel float. Available at extra cost.
Float Rod	Standard: Two 12" sections of PVC rod, with 12" extension increments at extra cost. Larger counterweight required if float rod length exceeds 5'. Optional: 24" stainless steel rod, with 24" extension increments at extra cost. Larger counterweight required if float rod length exceeds 2".
Level Differential	1" min to 18" max. with PVC rod 1" min to 40" max. with stainless steel rod
Operating Fluids	Clean liquids or gases compatible with specified materials.
Shipping Weight	12 Lbs.

Dimensions (In Inches)



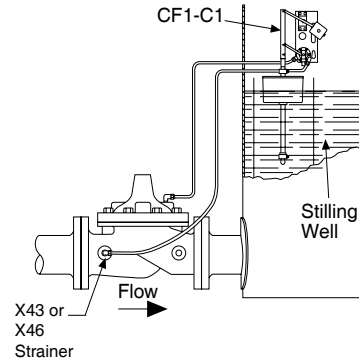
Installation Data

The float control is mounted above the high water level in the tank. The valve is installed in the line leading to the tank and is connected to the float control pilot by tubing. (Min. 3/8" tubing)

When line pressure is used to operate the valve, tubing connections are made from the float control pilot to the valve cover, and also to the inlet side of the valve. An X46 Flow Clean Strainer must be installed in the inlet side of the valve. The control may be installed at any elevation above the valve, providing that the flowing line pressure in psi

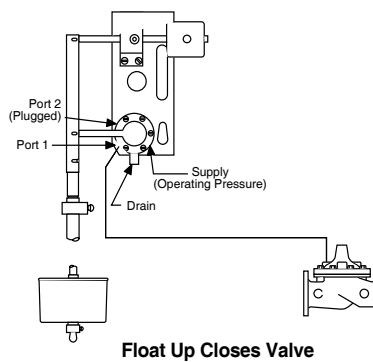
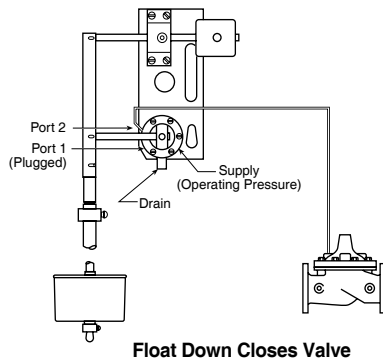
is equal to, or greater than, the vertical distance in feet between the valve and the float control.

An independent source of air or water may be used to operate the valve. The pressure from this independent source must constantly be equal to or greater than pressure at the valve inlet. The independent source is connected to the float control pilot in place of the supply line connected to the inlet side of the valve. If the Model 100-01 under the control of the CF1-C1 is 8" or larger, auxiliary Hytrols may be required. Consult factory for details.



Note: We recommend protecting Float Control tubing and valve from freezing temperatures.

For Controlling Hytrol Valve

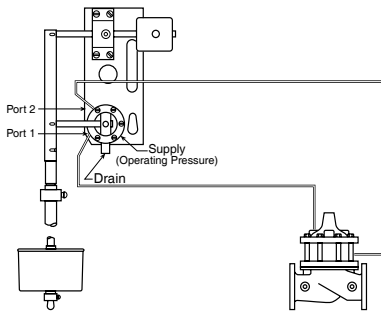


NOTE:

A stilling well (Min. 8" I.D.) must be provided around the float if the liquid surface is subject to turbulence, ripples or wind.

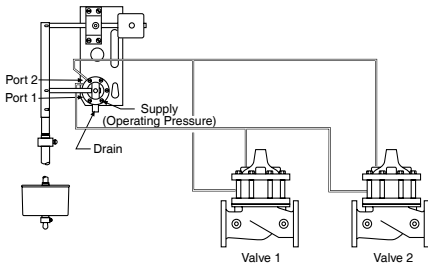
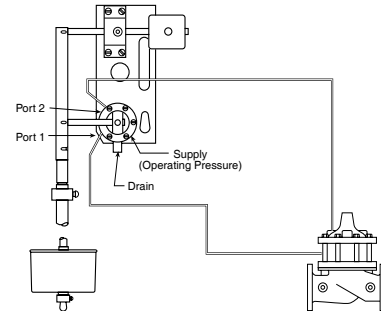
When Ordering, Please Specify

1. Catalog No. CF1-C1
2. Size and type of Valve to be controlled.
3. Material if different from standard
4. Float rod length if larger than 2 ft.



For Controlling Powertrol Valves

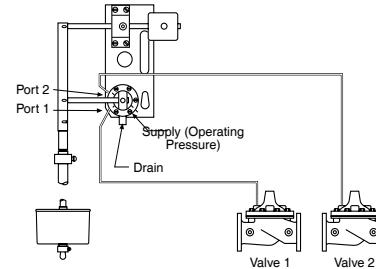
← Float Up Closes Valve Float Up Opens Valve →



For Controlling Two Valves Simultaneously

Operation

Float Position	Valve 1	Valve 2
UP	CLOSED	OPEN
DOWN	OPEN	CLOSED



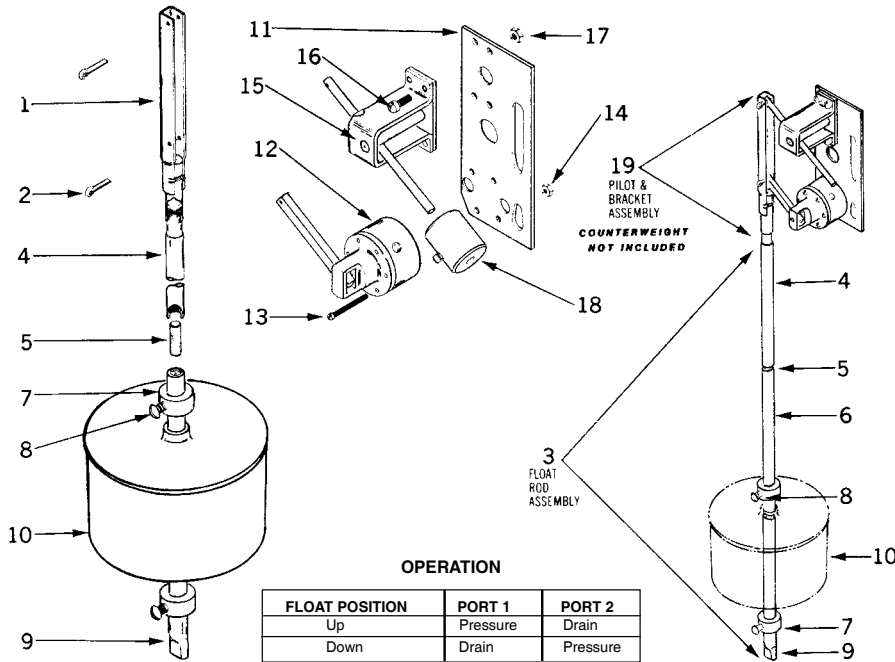
Distributed By:
 M&M Control Service, INC.
 Phone: 800-876-0036
 Fax: 847-356-0747
 Email: Sales@mmcontrol.com

PARTS LIST



CF1-C1

Float Control

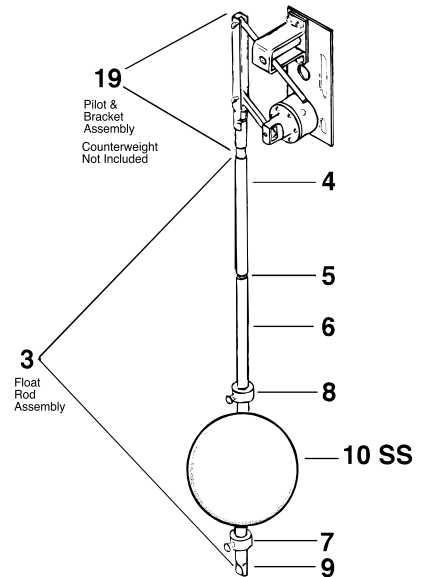


OPERATION

FLOAT POSITION	PORT 1	PORT 2
Up	Pressure	Drain
Down	Drain	Pressure

ITEM	DESCRIPTION	MATERIAL
1	Link Assembly	Brass
2	Cotter Pins (2 req'd)	Brass
3	Float Rod Assembly (2 ft.) FLOAT ROD ASSY. BREAKDOWN ITEMS 4 - 9	PVC, Brass or Stainless Steel
4	Upper Float Rod (1 ft.) Upper Float Rod (2 ft.)	PVC, Brass or Stainless Steel Brass or Stainless Steel
5	Stud (Req. for connecting upper and lower rods and one for each extension rod)	PVC, Brass or Stainless Steel
6	Extension Float Rod (1 ft.) Extension Float Rod (2 ft.)	PVC, Brass or Stainless Steel Brass or Stainless Steel
7	Stop Collar (2 req'd)	PCV, Brass or Stainless Steel
8	Set Screw (1 ea. stop collar)	Brass or Stainless Steel
9	Lower Float Rod (1 ft.) Lower Float Rod (2 ft.)	PVC, Brass or, Stainless Steel Brass or Stainless Steel
10	Float Ball	Plastic, Copper or Stainless Steel
10 SS	Float Ball (Stainless Steel)	Stainless Steel
11	Base and Mounting Plate	Steel
12	Pilot Valve Assembly CF1-C1	Brass and Monel w/Stainless Steel
13	Machine Screw 6/32 x 1 1/2" (6 req'd.)	Stainless Steel
14	Hex Nut 6/32 (6 req)	Stainless Steel
15	Counter Balance Bracket Assy.	Brass
16	Machine Screw 10/32 x 9/16" (4 req'd.)	Stainless Steel
17	Hex Nut 10/32 (4 req'd.)	Stainless Steel
18	Counterweight (varies with rod length, includes set screws)	Cad Plated Steel
19	Pilot & Bracket Assembly CF1-C1 COUNTERWEIGHT NOT INCLUDED	Brass, Steel with Stainless Steel

Optional Stainless Steel Float



When ordering parts, please specify:

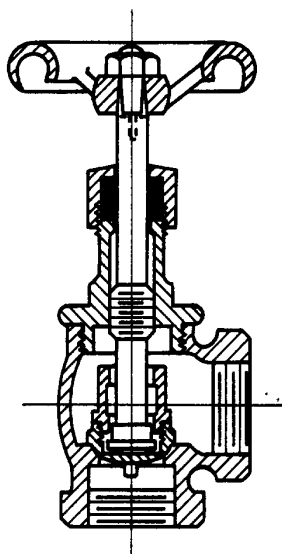
- All nameplate data
- Description
- Item Number

PARTS LIST

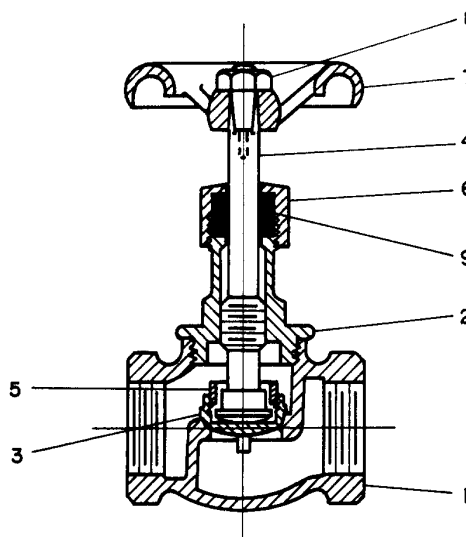


CG Series

Globe and Angle Valves CG Series



CAT. NO. CGA
ANGLE



CAT. NO. CGB
GLOBE

PARTS LIST FOR ILLUSTRATION ONLY.
VALVE SOLD ONLY AS A COMPLETE UNIT.

When ordering parts, please specify:

All Nameplate Data or Numbers
Stamped on Assembly

Item	Description
1.	Body
2.	Bonnet
3.	Disc
4.	Stem
5.	Gland
6.	Nut
7.	Handwheel
8.	Nut
9.	Packing

INSTALLATION / OPERATION / MAINTENANCE

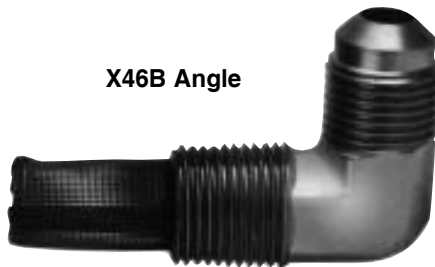


— MODEL — **X46**

Flow Clean Strainer



X46A Straight



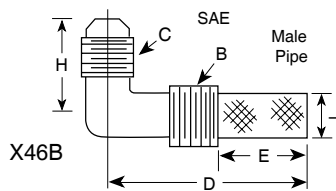
X46B Angle

- Self Scrubbing Cleaning Action
- Straight Type or Angle Type

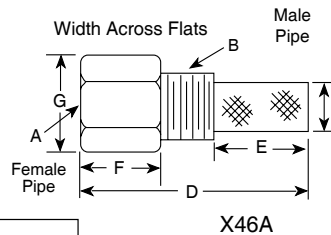
The Cla-Val Model X46 Strainer is designed to prevent passage of foreign particles larger than .015". It is especially effective against such contaminant as algae, mud, scale, wood pulp, moss, and root fibers. There is a model for every Cla-Val. valve.

The X46 Flow Clean strainer operates on a velocity principle utilizing the circular "air foil" section to make it self cleaning. Impingement of particles is on the "leading edge" only. The low pressure area on the downstream side of the screen prevents foreign particles from clogging the screen. There is also a scouring action, due to eddy currents, which keeps most of the screen area clean.

Dimensions (In Inches)



B(NPT)	C(SAE)	D	E	H	I
1/8	1/4	1-3/8	5/8	7/8	1/4
1/4	1/4	1-3/4	3/4	1	3/8
3/8	1/4	2	7/8	1	1/2
3/8	3/8	1-7/8	7/8	1	1/2
1/2	3/8	2-3/8	1	1-1/4	5/8



A (NPT)	B (NPT)	D	E	F	G	I
1/8	1/8	1-3/4	3/4	1/2	1/2	1/4
1/4	1/4	2-1/4	1	3/4	3/4	3/8
3/8	3/8	2-1/2	1	7/8	7/8	1/2
3/8	1/2	2-1/2	1-1/4	1/2	7/8	3/4
1/2	1/2	3	1-1/4	1	1-1/8	3/4
3/8	3/4	3-3/8	2	1/2	1	7/8
3/4	3/4	4	2	1	1-1/2	7/8
3/8	1	4-1/4	2-3/4	1/2	1-3/8	7/8
1	1	4-1/2	2-3/4	1-1/4	1-3/4	7/8
1/2	1	4-1/4	2-3/4	1/2	1-3/8	7/8

When Ordering, Please Specify:

- Catalog Number X46
- Straight Type or Angle Type
- Size Inserted Into and Size Connection
- Materials

INSTALLATION

The strainer is designed for use in conjunction with a Cla-Val Main Valve, but can be installed in any piping system where there is a moving fluid stream to keep it clean. When it is used with the Cla-Val Valve, it is threaded into the upstream body port provided for it on the side of the valve. It projects through the side of the Main Valve into the flow stream. All liquid shunted to the pilot control system and to the cover chamber of the Main Valve passes through the X46 Flow Clean Strainer.

INSPECTION

Inspect internal and external threads for damage or evidence of cross-threading. Check inner and outer screens for clogging, embedded foreign particles, breaks, cracks, corrosion, fatigue, and other signs of damage.

DISASSEMBLY

Do not attempt to remove the screens from the strainer housing.

CLEANING

After inspection, cleaning of the X46 can begin. Water service usually will produce mineral or lime deposits on metal parts in contact with water. These deposits can be cleaned by dipping X46 in a 5-percent muriatic acid solution just long enough for deposit to dissolve. This will remove most of the common types of deposits. **Caution: use extreme care when handling acid.** If the deposit is not removed by acid, then a fine grit (400) wet or dry sandpaper can be used with water. Rinse parts in water before handling. An appropriate solvent can clean parts used in fueling service. Dry with compressed air or a clean, lint-free cloth. Protect from damage and dust until reassembled.

REPLACEMENT

If there is any sign of damage, or if there is the slightest doubt that the Model X46 Flow Clean Strainer may not afford completely satisfactory operation, replace it. Use Inspection steps as a guide. Neither inner screen, outer screen, nor housing is furnished as a replacement part. Replace Model X46 Flow Clean Strainer as a complete unit.

When ordering replacement Flow-Clean Strainers, it is important to determine pipe size of the tapped hole into which the strainer will be inserted (refer to column A or F), and the size of the external connection (refer to column B or G).

CVCL 1 ② 3 4

DIST CODE 049

SHEET 1 OF 2



CATALOG NO.

DRAWING NO.

REV

67783

AS

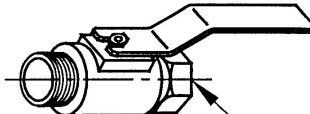
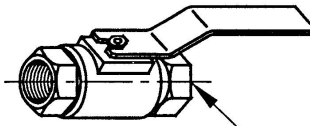
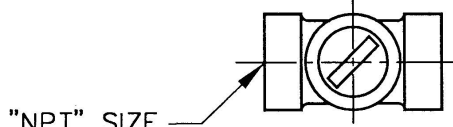
TYPE OF VALVE AND MAIN FEATURES

CK2 COCK/BALL VALVE

DESIGN

DRAWN	MGR	4-02-80
CHK'D	KD	4-03-80
APV'D	CH	4-07-80

SCALE: NONE



CLA-VAL PART NO. AND MATERIAL

BRONZE WITH HANDLE	STEEL WITH HANDLE	IRON WITH HANDLE	316 SST WITH HANDLE	316 SST W/ LOCKING HANDLE	BRONZE WITH HANDLE	MONEL WITH HANDLE	SIZE "NPT"
67783-01K *	-09C	-17F	-25J SUPSD BY-26G		-41F SUPSD BY-01K		1/8"
-02H	-10A	-18D	-26G	-51E SUPSD BY-26G -52C	-42D SUPSD BY-02H		1/4"
-03F *	-11J	-19B	-27E	-46E SUPSD BY-27E -53A	-45G	-48A SUPSD BY-49J	3/8"
-04D	-12G	-20K	-28C	-54J	-43B SUPSD BY-04D	-49J	1/2"
-05A	-13E	-21H	-29A		-44K SUPSD BY-05A		3/4"
-06J	-14C	-22F	-30J				1"
-07G	-15K	-23D	-31G				1 1/4"
-08E	-16H	-24B	-32E				1 1/2"
-50G			-47C				2"

* SEE ENGINEERING APPROVED VENDORS TABLE (SHEET 2 OF 2).

03-07-01
 AK
 ADDED ** TO PN. 67783-01K TO SH. 1 (ECO 18551)
 CAD REVISION RECORD - DO NOT REVISE MANUALLY
 DESCRIPTION
 LTR
 A-AR SEE REVISION FILE
 AS ADDED ANDERSON BRASS 1/8 FPT X 1/8 MPT TO SHEET 2 AND
 BY
 DATE

THIS DRAWING IS THE PROPERTY OF CLA-VAL CO. AND SAME AND COPIES MADE THEREOF, IF ANY, SHALL BE RETURNED TO IT UPON DEMAND. DELIVERY AND DISCLOSURE HEREOF ARE SOLELY UPON CONDITION THAT THE SAME SHALL NOT BE USED, COPIED OR REPRODUCED, NOR SHALL THE SUBJECT HEREOF BE DISCLOSED IN ANY MANNER TO ANYONE FOR ANY PURPOSE, EXCEPT AS HEREIN AUTHORIZED, WITHOUT PRIOR WRITTEN APPROVAL OF CLA-VAL CO. THIS DRAWING IS SUBMITTED CONFIDENTIALLY AND MAY NOT BE USED IN THE MANUFACTURE OF ANY MATERIAL OR PRODUCT OTHER THAN SUCH MATERIALS AND PRODUCTS FURNISHED TO CLA-VAL CO. WHETHER OR NOT THE EQUIPMENT OR INFORMATION SHOWN HEREON IS PATENTED OR OTHERWISE PROTECTED, FULL TITLE AND COPYRIGHTS, IF ANY, IN AND TO THIS DRAWING AND/OR INFORMATION DELIVERED OR SUBMITTED ARE FULLY RESERVED CLA-VAL CO.

PARTS LIST



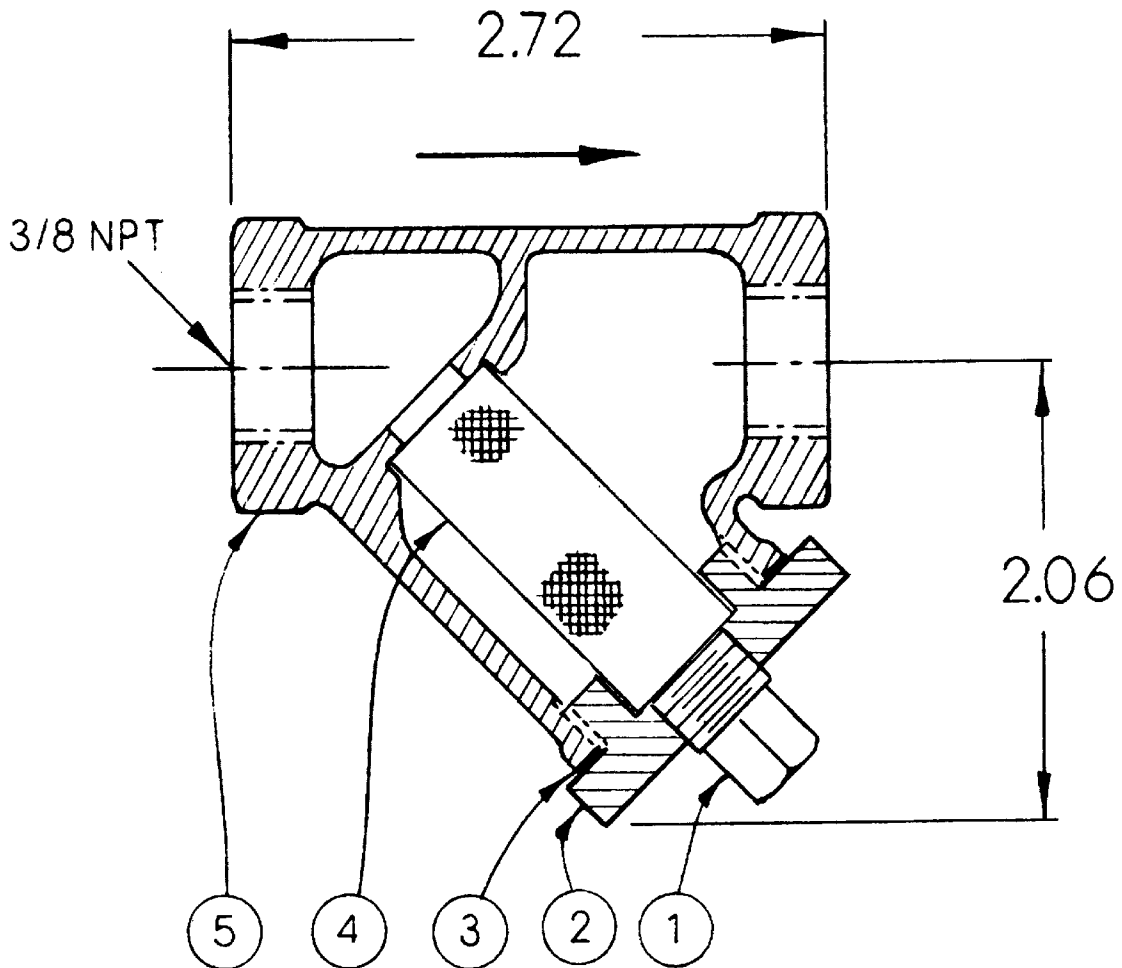
X43 Strainer

ITEM	DESCRIPTION	MATERIAL
1	Pipe Plug	Steel
2	Strainer Plug	Brass
3	Gasket	Copper
4*	Screen	Monel
5	Body	Brass

Standard 60 mesh pilot system strainer for fluid service.

SIZE	STOCK NUMBER
3/8 x 3/8	33450J

*Replacement screen stock number 68373A.
All other parts available only in replacement assembly.





Cla-Val Product Identification

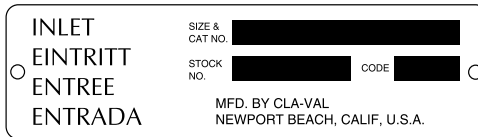
How to Order

Proper Identification

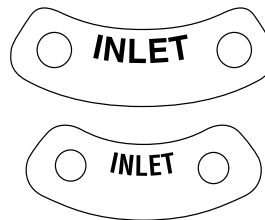
For ordering repair kits, replacement parts, or for inquiries concerning valve operation it is important to properly identify Cla-Val products already in service. Include all nameplate data with your inquiry. Pertinent product data includes valve function, size, material, pressure rating, end details, type of pilot controls used and control adjustment ranges.

Identification Plates

For product identification, cast in body markings are supplemented by identification plates as illustrated on this page. The plates, depending on type and size of product, are mounted in the most practical position. **It is extremely important that these identification plates are not painted over, removed, or in any other way rendered illegible.**



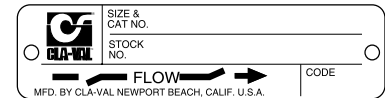
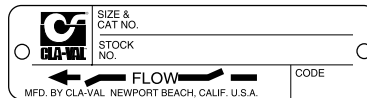
This brass plate appears on valves sized 2 1/2" and larger and is located on the top of the inlet flange.



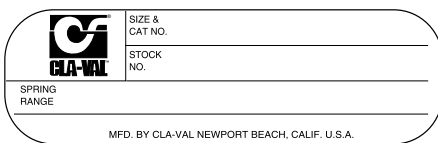
These two brass plates appear on 3/8", 1/2", and 3/4" size valves and are located on the valve cover.



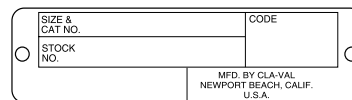
This brass plate appears on altitude valves only and is found on top of the outlet flange.



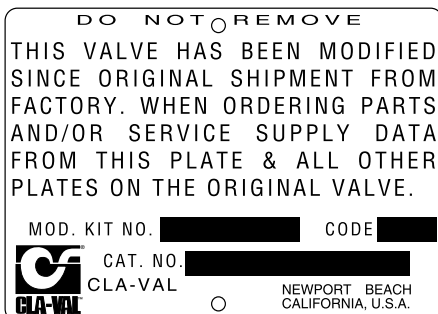
These two brass plates appear on 1" through 3" size screwed valves or 1" through 2" flanged valves. It is located on only one side of the valve body.



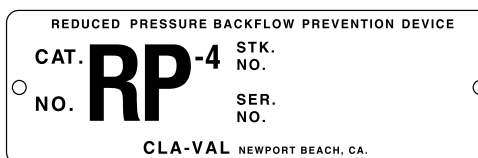
This tag is affixed to the cover of the pilot control valve. The adjustment range appears in the spring range section.



This brass plate is used to identify pilot control valves. The adjustment range is stamped into the plate.



This aluminum plate is included in pilot system modification kits and is to be wired to the new pilot control system after installation.



This brass plate is on our backflow prevention assemblies. It is located on the side of the number two check (2" through 10"). The serial number of the assembly is also stamped on the top of the inlet flange of the number one check.



HOW TO ORDER

There are many valves and controls manufactured by Cla-Val that are not listed due to the sheer volume. For information not listed, please contact your local Cla-Val office or our factory office located at:

P. O. Box 1325
Newport Beach, California 92659-0325
(949) 722-4800
FAX (949) 548-5441

SPECIFY WHEN ORDERING

- Model Number
- Globe or Angle Pattern
- Adjustment Range (As Applicable)
- Valve Size
- Screwed or Flanged
- Body and Trim Materials
- Optional Features
- Pressure Class

UNLESS OTHERWISE SPECIFIED

- Globe or angle pattern are the same price
- Ductile iron body and bronze trim are standard
- X46 Flow Clean Strainer or X43 "Y" Strainer are included
- CK2 Isolation Valves are included in price on 4" and larger valve sizes (6" and larger on 600 Series)

LIMITED WARRANTY

Automatic valves and controls as manufactured by Cla-Val are warranted for three years from date of shipment against manufacturing defects in material and workmanship which develop in the service for which they are designed, provided the products are installed and used in accordance with all applicable instructions and limitations issued by Cla-Val.

We will repair or replace defective material, free of charge, which is returned to our factory, transportation charges prepaid, provided that, after inspection, the material is found to have been defective at time of shipment. This warranty is expressly conditioned on the purchaser's giving Cla-Val immediate written notice upon discovery of the defect.

Components used by Cla-Val but manufactured by others, are warranted only to the extent of that manufacturer's guarantee.

This warranty shall not apply if the product has been altered or repaired by others, and Cla-Val shall make no allowance or credit for such repairs or alterations unless authorized in writing by Cla-Val.

DISCLAIMER OF WARRANTIES AND LIMITATIONS OF LIABILITY

The foregoing warranty is exclusive and in lieu of all other warranties and representations, whether expressed, implied, oral or written, including but not limited to any implied warranties or merchantability or fitness for a particular purpose. All such other warranties and representations are hereby cancelled.

Cla-Val shall not be liable for any incidental or consequential loss, damage or expense arising directly or indirectly from the use of the product. Cla-Val shall not be liable for any damages or charges for labor or expense in making repairs or adjustments to the product. Cla-Val shall not be liable for any damages or charges sustained in the adaptation or use of its engineering data and services. No representative of Cla-Val may change any of the foregoing or assume any additional liability or responsibility in connection with the product. The liability of Cla-Val is limited to material replacements F.O.B. Newport Beach, California.

TERMS OF SALE**ACCEPTANCE OF ORDERS**

All orders are subject to acceptance by our main office at Newport Beach, California.

CREDIT TERMS

Credit terms are net thirty (30) days from date of invoice.

PURCHASE ORDER FORMS

Orders submitted on customer's own purchase order forms will be accepted only with the express understanding that no statements, clauses, or conditions contained in said order form will be binding on the Seller if they in any way modify the Seller's own terms and conditions of sales.

PRODUCT CHANGES

The right is reserved to make changes in pattern, design or materials when deemed necessary, without prior notice.

PRICES

All prices are F.O.B. Newport Beach, California unless expressly stated otherwise on our acknowledgement of the order. Prices are subject to change without notice. The prices at which any order is accepted are subject to adjustment to the Seller's price in effect at the time of shipment. Prices do not include sales, excise, municipal, state or any other Government taxes. Minimum order charge \$75.00.

RESPONSIBILITY

We will not be responsible for delays resulting from strikes, accidents, negligence of carriers, or other causes beyond our control. Also, we will not be liable for any unauthorized product alterations or charges accruing there from.

RISK

All goods are shipped at the risk of the purchaser after they have been delivered by us to the carrier. Claims for error, shortages, etc., must be made upon receipt of goods.

EXPORT SHIPMENTS

Export shipments are subject to an additional charge for export packing.

RETURNED GOODS

1. Customers must obtain written approval from Cla-Val prior to returning any material.
2. Cla-Val reserves the right to refuse the return of any products.
3. Products more than six (6) months old cannot be returned for credit.
4. Specially produced, non-standard models cannot be returned for credit.
5. Rubber goods such as diaphragms, discs, o-rings, etc., cannot be returned for credit, unless as part of an unopened vacuum sealed repair kit which is less than six months old.
6. Goods authorized for return are subject to a 35% (\$75 minimum) restocking charge and a service charge for inspection, reconditioning, replacement of rubber parts, retesting, repainting and repackaging as required.
7. Authorized returned goods must be packaged and shipped prepaid to Cla-Val, 1701 Placentia Avenue, Costa Mesa, California 92627.



Distributed By:
M&M Control Service, INC.
Phone: 800-876-0036
Fax: 847-356-0747
Email: Sales@mmcontrol.com

INSTALLATION / OPERATION / MAINTENANCE

— MODEL — **REPAIR KITS****Complete Replacement Diaphragm Assemblies for 100-01 and 100-20 Hytrol Main Valves**

For: Hytrol Main Valves with Ductile Iron, Bronze Trim Materials—125/150 Pressure Class Only.
FACTORY ASSEMBLED

Includes: Stem, Disc Guide, Disc, Disc Retainer, Spacer Washers, Diaphragm, Diaphragm Washer and Stem Nut.

Valve Size	Diaphragm Assembly Stock Number		Valve Size	Diaphragm Assembly Stock Number	
	100-01	100-20		100-01	100-20
3/8" (Also 81-01)	49097K	N/A	6"	40456G	33273E
1/2" - 3/4" (Also 81-01)	C2518D	N/A	8"	45276D	40456G
1"	C2520K	N/A	10"	81752J	45276D
1 1/4" - 1 1/2"	C2522 F	N/A	12"	85533J	81752J
2"	C2524B	N/A	14"	89067D	N/A
2 1/2"	C2523D	N/A	16"	89068B	85533J
3"	C2525J	C2524B	20"	N/A	89068B
4"	33273E	C2525J	24"	N/A	89068B

Repair Kits for 100-01/100-20 Hytrol Valves

For: Hytrol Main Valves—125/150 Pressure Class Only.

Supplied Shrink Wrapped (4" and smaller) or Bagged (6" and larger)

Includes: Diaphragm, Disc (or Disc Assembly) and spare Spacer Washers.

Buna-N® Standard Material				Viton (For KB Valves)			
Valve Size	Repair Kit Stock Number		Valve Size	Repair Kit Stock Number			
	100-01	100-20		100-01	100-20		
3/8" (Also 81-01)	9169801K	N/A	3/8" (Also 81-01)	9169806J	N/A		
1/2" - 3/4" (Also 81-01)	9169802H	N/A	1/2" - 3/4" (Also 81-01)	9169807G	N/A		
1"	9169803F	N/A	1"	9169808E	N/A		
1 1/4" - 1 1/2"	9169804D	N/A	1 1/4" - 1 1/2"	9169809C	N/A		
2"	9169805A	N/A	2"	9169810A	N/A		
2 1/2"	9169811J	N/A	2 1/2"	9169817F	N/A		
3"	9169812G	9169805A	3"	9169818D	9169810A		
4"	9169813E	9169812G	4"	9169819B	9169818D		
6"	9169815K	9169813E	6"	9169820K	9169819B		
8"	9817901D	9169815K	8"	N/A	9169820K		
10"	9817902B	9817901D					
12"	9817903K	9817902B					
14"	9817904H	N/A					
16"	9817905E	9817903K					
20"	N/A	9817905E					
24"	N/A	9817905E					

When ordering, please give complete nameplate data of the valve and/or control being repaired.
MINIMUM ORDER CHARGE APPLIES.

Repair Kits for 100-02/100-21 Powertrol and 100-03/100-22 Powercheck Main Valves**For:** Powertrol and Powercheck Main Valves—125/150 Pressure Class Only*Supplied Shrink Wrapped* (4" and Smaller) or Bagged (6" and larger)

Includes: Diaphragm, Disc (or Disc Assembly) and spare Spacer Washers.

Valve Size	Kit Stock Number		Valve Size	Kit Stock Number	
	100-02			100-02 & 100-03	100-21 & 100-22
3/8"	9169901H		2 1/2"	9169910J	N/A
1/2" - 3/4"	9169902F		3"	9169911G	9169905J
1"	9169903D		4"	9169912E	9169911G
1 1/4" & 1 1/2"	9169904B		6"	9169913C	9169912E
2"	9169905J		8"	99116G	9169913C
			10"	N/A	99116G

Larger Sizes: Consult Factory.

Repair Kits for 100-04/100-23 Hy-Check Main Valves**For:** Hy-Check Main Valves—125/150 Pressure Class Only*Supplied Shrink Wrapped* (4" and Smaller) or Bagged (6" and larger)

Includes: Diaphragm, Disc and O-Rings and full set of spare Spacer Washers.

Valve Size	Kit Stock Number		Valve Size	Kit Stock Number	
	100-04	100-23		100-04	100-23
4"	20210901B	N/A	12"	20210905H	20210904J
6"	20210902A	20210901B	14"	20210906G	N/A
8"	20210903K	20210902A	16"	20210907F	20210905H
10"	20210904J	20210903K	20", 24"	N/A	20210907F

Larger Sizes: Consult Factory.

Repair Kits for Pilot Control Valves

Supplied Shrink Wrapped Includes: Diaphragm, Disc (or Disc Assembly), O-Rings, Gaskets or spare Screws as appropriate.

BUNA-N® (Standard Material)				VITON (For KB Controls)	
Pilot Control	Kit Stock Number	Pilot Control	Kit Stock Number	Pilot Control	Kit Stock Number
CDB	9170006C	CFM-7 & 7-A	1263901K	CDB-KB	9170012A
CDB-7	9170017K	CRA (w/bucking spring)	9170001D	CRA-KB	9170018H
CDH-2	18225D	CRD (w/bucking spring)	9170002B	CRD-KB (w/bucking spring)	9170008J
CDHS-2	44607A	CRD (no bucking spring)	9170003K	CRL-KB	9170013J
CDHS-2B	9170004H	CRD-22	98923G	CDHS-2BKB	9170010E
CDHS-2F	9170005E	CRL (55F, 55L)	9170007A	CDHS-2FKB	9170011C
CDHS-3C-A2	24657K	CRL-4A	43413E	CDHS-18KB (no bucking spring)	9170009G
CDHS-8A	2666901A	CRL-5 (55B)	65755B	102C-KB	1726202D
CDHS-18	9170003K	CRL-5A (55G)	20666E	Buna-N®	
CDS-4	9170014G	CV	9170019F	CRD DISC RET. (SOLID)	C5256H
CDS-5	14200A	X105L (O-ring)	00951E	CRD DISC RET. (SPRING)	C5255K
CDS-6	20119301A	102B-1	1502201F		
CFM-2, CFM-9, CFCM-M1	12223E	102C-2 & -3	1726201F		

Repair Assemblies (In Standard Materials Only)

Control	Description	Stock Number
CF1-C1	Pilot Assembly Only	89541H
CF1-CI	Complete Float Control less Ball & Rod	89016A
CFC2-C1	Disc, Distributor & Seals	2674701E
CSM 11-A2-2	Mechanical Parts Assy.	97544B
CSM 11-A2-2	Pilot Assembly Only	18053K
33A 1"	Complete Internal Assembly & Seal	2036030B
33A 2"	Complete Internal Assembly & Seal	2040830J

When ordering, please give complete nameplate data of the valve and/or control being repaired. MINIMUM ORDER CHARGE APPLIES

Distributed By: M&M Control Service, INC.

Phone: 800-876-0036

Fax: 847-356-0747

Email: Sales@mmcontrol.com